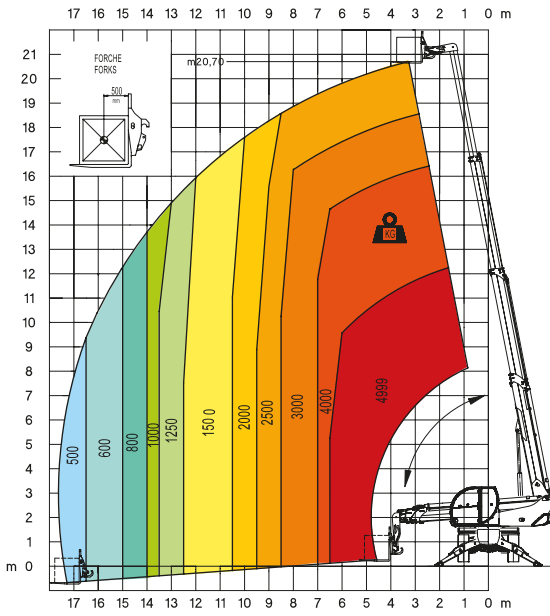


Maximum lifting height: 20,70 m
Maximum reach: 17,70 m
Electronically controlled hydrostatic transmission
Automatic levelling device
Pivoting stabilizers

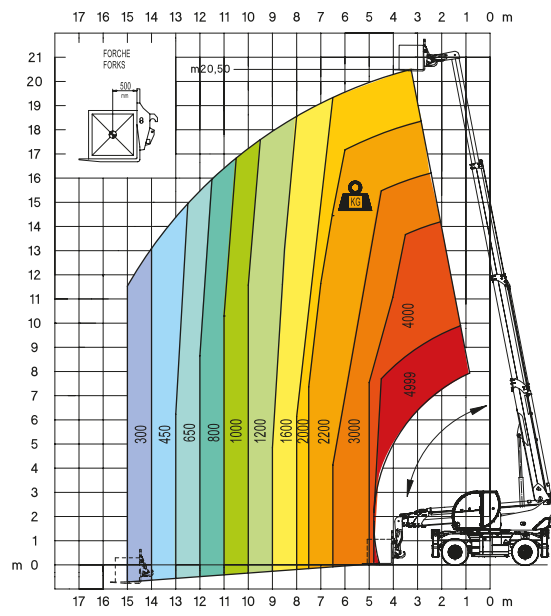
RTH5.21 *Smart*

Magni Telescopic Handlers srl

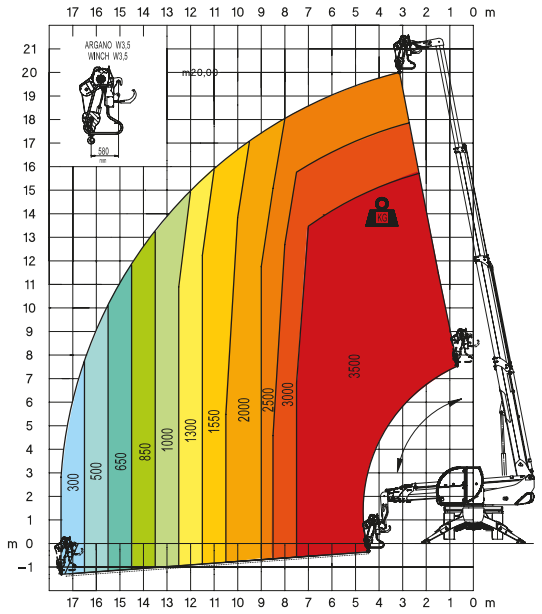
Via Magellano, 22 - 41013 Castelfranco Emilia, Modena, Italia - Tel: +39 059 8630811 - Fax: +39 059 8638012
commerciale@magnith.com - www.magnith.com



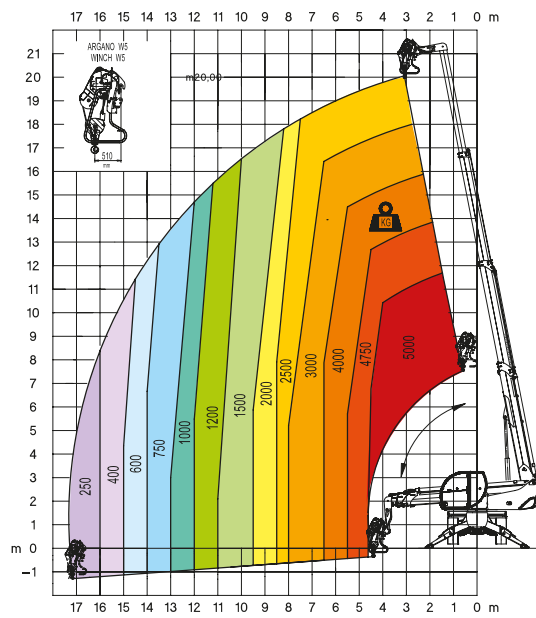
W 3,5
winch 3,5 ton



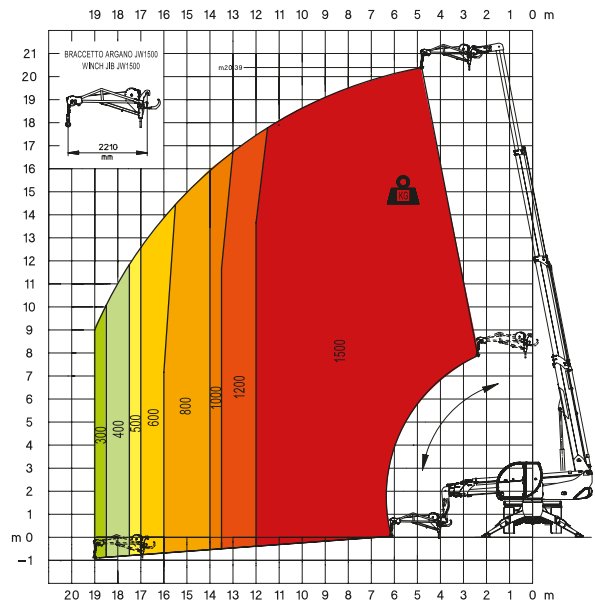
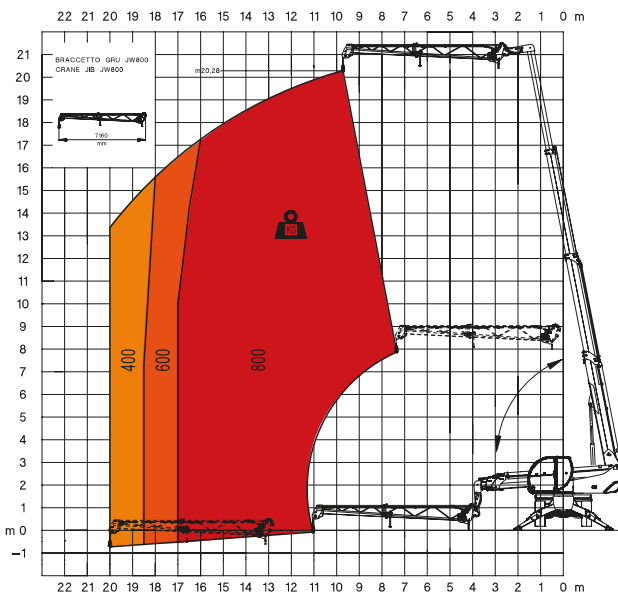
W 5
winch 5 ton



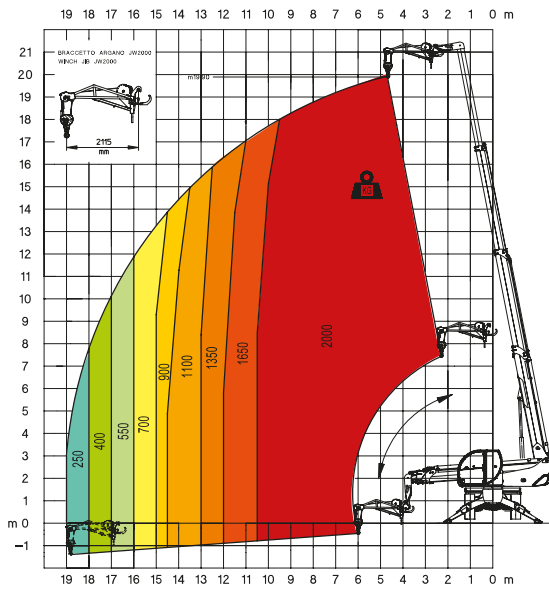
JW 800
Jib winch 800



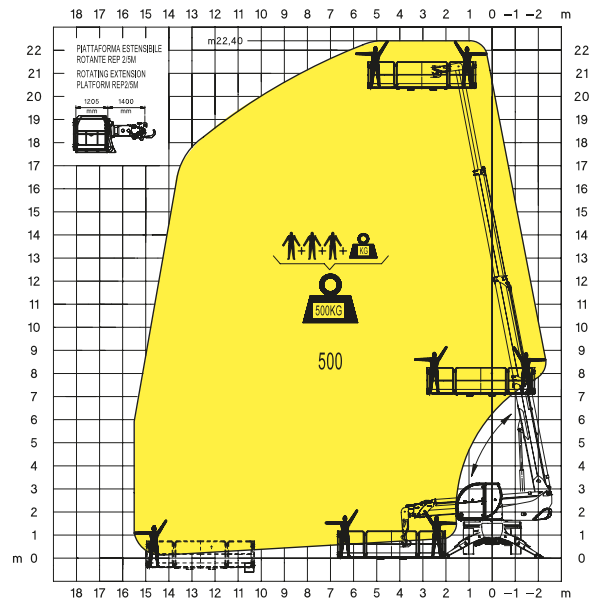
JW 1500
Jib winch 1.500



JW 2000
Jib winch 2.000

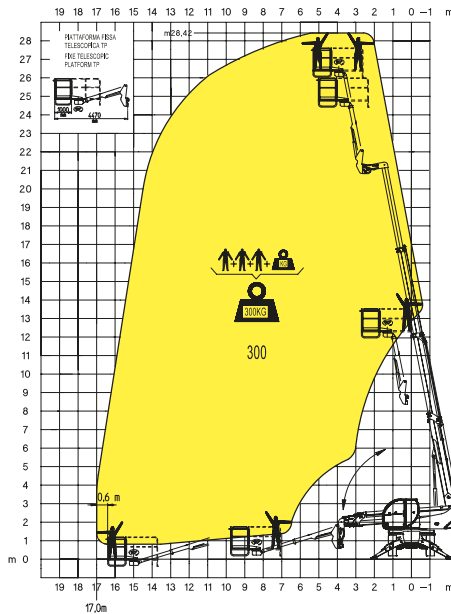


REP 2-4,5
Rotating extendable men platform 500kg



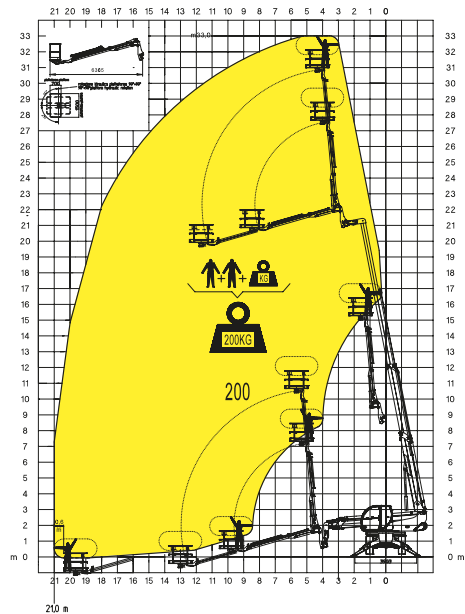
TP

Telescopic pivoting men platform with 180° rotation



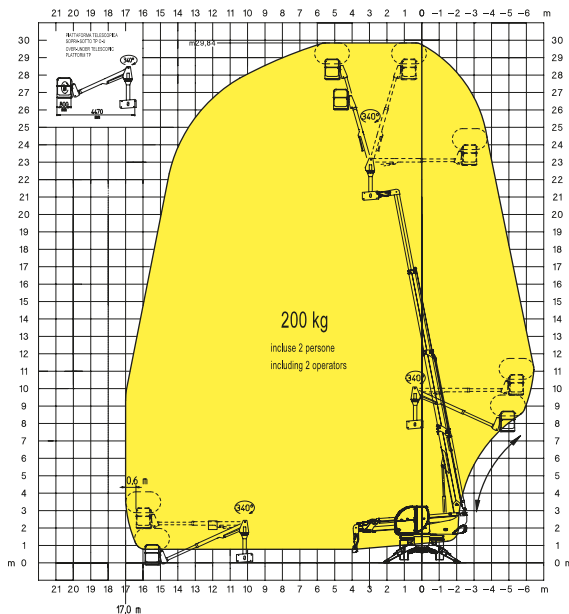
TP 2.10

Telescopic Platform TP 2.10



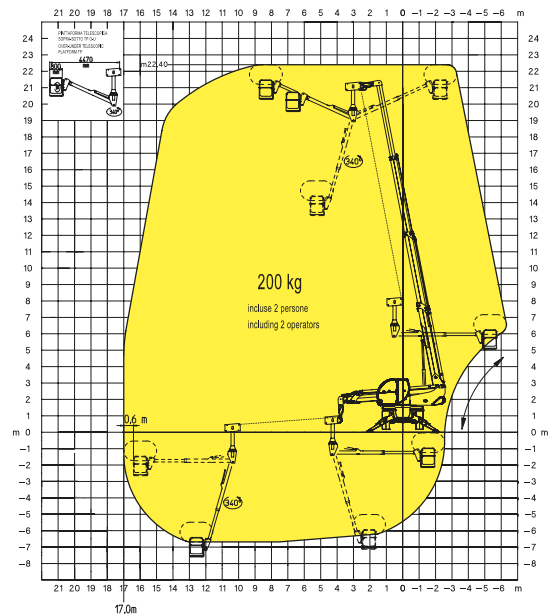
TP O-U

Telescopic pivoting men platform over-under with 340° rotation



TP O-U

Telescopic pivoting men platform over-under with 340° rotation



MACHINE MODEL	Rotating telescopic handler	RTH 5.21 Smart			
	Maximum lifting capacity	4.999 kg (center of gravity 500 mm)			
	Maximum lifting height	20,70 m			
ENGINE - DEUTZ	Type	Deutz TCD 3.6 L4 - stage IV	Deutz TCD 3.6 L4 EDG - stage 3A compliant		
	Rated power	100 kW - 134 HP at 2.200 rpm	100 kW - 134 HP at 2.200 rpm		
	Maximum torque	500 Nm at 1.600 rpm	500 Nm at 1.600 rpm		
	Displacement	3,6 l	3,6 l		
	Cylinders	4 in line	4 in line		
	Fuel	Diesel direct injection turbocharged	Diesel direct injection turbocharged		
	Cooling system	Water – intercooler	Water – intercooler		
ENGINE - JCB	Type	JCB ECOMAX stage IV i	JCB DIESELMAX stage 3A		
	Rated power	93 kW - 126 HP to 2.200 rpm	97 kW - 131 HP to 2.200 rpm		
	Maximum torque	550 to 1.500 rpm	532 to 1.500 rpm		
	Displacement	4.399	4.399		
	Cylinders	4	4		
	Fuel	Diesel direct injection turbocharged	Diesel direct injection turbocharged		
TRANSMISSION	Type	Hydrostatic			
	Model	Bosch – Rexroth			
	Maximum pressure	500 bar			
	Displacements	Variable displacement pump electronically controlled. Variable displacement motor			
	Gear box	2 speeds forward-reverse			
	AXLES AND BRAKES	Type	Axles with epicyclic reduction gear		
Rear axle		Oscillating and steering with hydraulic locking			
Front axle		Oscillating and steering with automatic levelling +/- 10°			
Service brake		Hydraulically activated, oil-immersed multi-disc type on each axle			
Parking brake		Hydraulic with negative action			
Tyres dimensions		445/65 R22,5			
PERFORMANCE	Max. travel speed	40 km/h			
	Drawbar pull	66 kN			
	Gradeability	44%			
	Turning radius (end of forks)	5.780 mm			
WEIGHTS	Total unladen	16.500 kg			
	Front axle unladen (boom retracted and lowered)	8.000 kg			
	Rear axle unladen (boom retracted and lowered)	8.500 kg			
TANK CAPACITIES		Deutz stage IV	Deutz stage3A	JCB stage IV i	JCB stage 3A
	Fuel tank	180 l	180 l	180 l	180 l
	AdBlue	10 l	n.a.	n.a.	n.a.
	Hydraulic oil tank	190 l	190 l	190 l	190 l
	Engine oil tank	8 l	8 l	14 l	14 l
Cooling liquid	23 l	23 l	24 l	24 l	
HYDRAULIC CIRCUIT	Max. operating system pressure	350 bar			
	Circuit type	Load sensing			
	Service pump	Bosch Rexroth – Variable displacement			
	Controls for boom and turret movements	Danfoss – Electroproportional valve SIL 2			
	Controls for stabilizers	Bosch Rexroth – Electro-hydraulics controls			
	Movements control	2 joystick Danfoss with two shafts with dead man safety device - Management with CAN bus technology			
CONFORMTY TO STANDARDS	EN 13849: concerning the safety of all controls of the machine EN 13000: concerning the standard of hydraulic cranes EN 280: concerning the standard of aerial platforms FOPS/ROPS 97/68/CE: concerning engine emissions standards				

