



FASSI GROUP



## PIAF 1010

Vertical Mast Boom  
on Tracks

*Built to last*

### MAIN FEATURES

Working height.....	10,05 m / 32,97 ft
Horizontal outreach.....	3,35 m / 10,99 ft
Ground pressure .....	69 kN/m <sup>2</sup>
Fully hydraulic (Drive and elevation)	

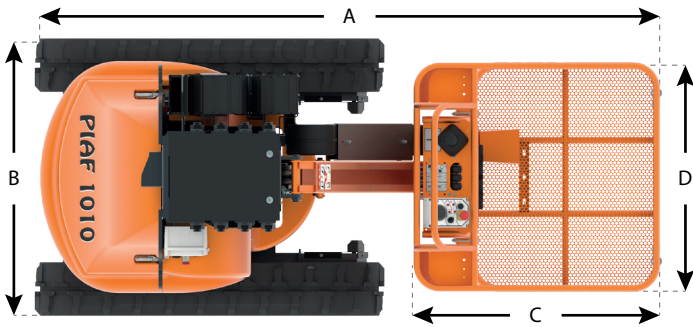
### ▲ STANDARD EQUIPMENT

- Progressive hydraulic movement controls
- Drive and directional movement controls carried out with hydraulic joystick controls
- 200kg load capacity
- 575 Ah 24 V traction battery with centralised charging
- On-board HF 85 A charger
- Two drive speeds
- 2 x 110° rotating turret
- 30% gradeability
- Possible to work at maximum height
- Sling rings
- Flashing lights
- Battery charge indicator with cutoff at 80%
- Tilt indicator with alarm
- Overload sensor
- Hour meter

### ★ ACCESSORIES & OPTIONS

- Non-marking rubber tracks
- Compressed air line
- Maintenance and battery charging kit
- Wall mounted charger
- Food grade hydraulic oil
- Biodegradable hydraulic oil
- Extreme cold Kit
- Power supply in the platform
- Movement cut off when tilt > 3°
- Drive alarm
- Customer colour(s) paint

# PIAF 1010



Working height	10,05 m / 32,97 ft
Floor height	8,05 m / 26,41 ft
Maximum horizontal outreach	3,35 m / 10,99 ft
Load capacity (Interior, 2 people, wind 0 km/h)	200 kg / 441 lbs
Load capacity (Exterior, 1 people, wind < 45 km/h)	200 kg / 441 lbs

<b>A</b>	Length	2,74 m / 8,98 ft
<b>B</b>	Width	1,20 m / 3,93 ft
<b>C</b>	Platform length	0,80 m / 2,62 ft
<b>D</b>	Platform width	0,93 m / 3,05 ft
<b>E</b>	Height	2,12 m / 6,95 ft
<b>F</b>	Wheelbase	1,15 m / 3,77 ft

Turret rotation	2 x 110°
Drive speed (stowed)	1,5 km/h / 0,93 mph
Drive speed (raised)	0,6 km/h / 0,37 mph
Gradeability (stowed)	30%
Maximum tilt.	3°
Inside turning radius (Ri)	0 m / 0 ft
Outside turning radius (Re)	1 m / 3,28 ft
Total weight	2780 kg / 6128 lbs
Ground pressure	69 kN/m <sup>2</sup>



This product complies with European regulations in force .  
Due to our constant improvement policy, ATN reserves the right to  
many any modifications without any prior notice.

RT : Working circle  
Ri : Inside turning radius  
Re : Outside turning radius

