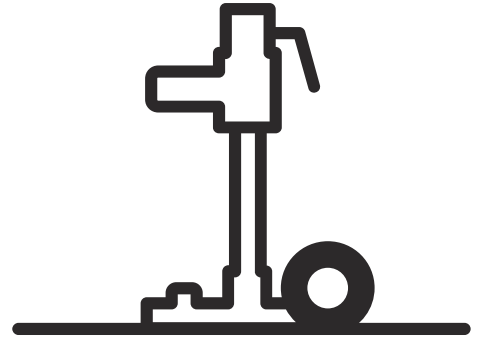




Husqvarna®



DMS 240

EN	Operator's manual	2-20
DE	Bedienungsanweisung	21-40
FR	Manuel d'utilisation	41-60
NL	Gebruiksaanwijzing	61-80

Contents

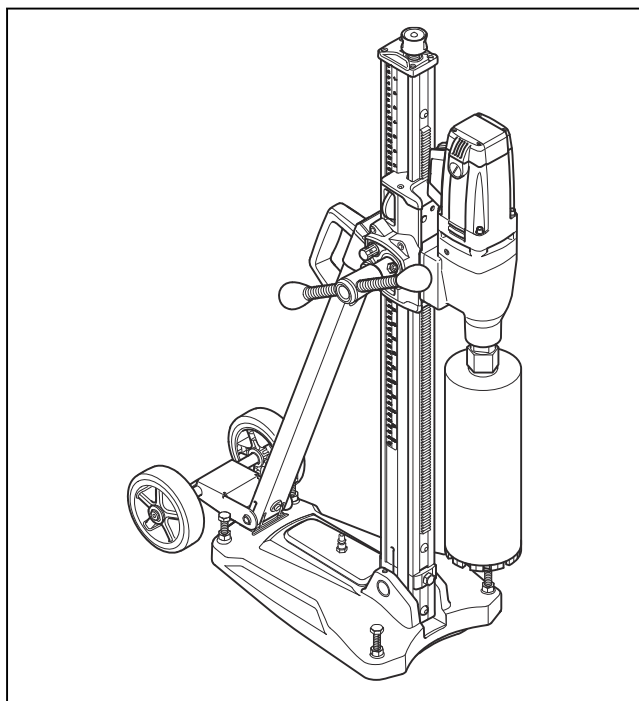
Introduction.....	2	Troubleshooting.....	16
Safety.....	5	Transportation and storage.....	16
Assembly.....	11	Technical data.....	17
Installation.....	11	Service.....	18
Operation.....	12	Declaration of Conformity.....	19
Maintenance.....	14		

Introduction

Product description

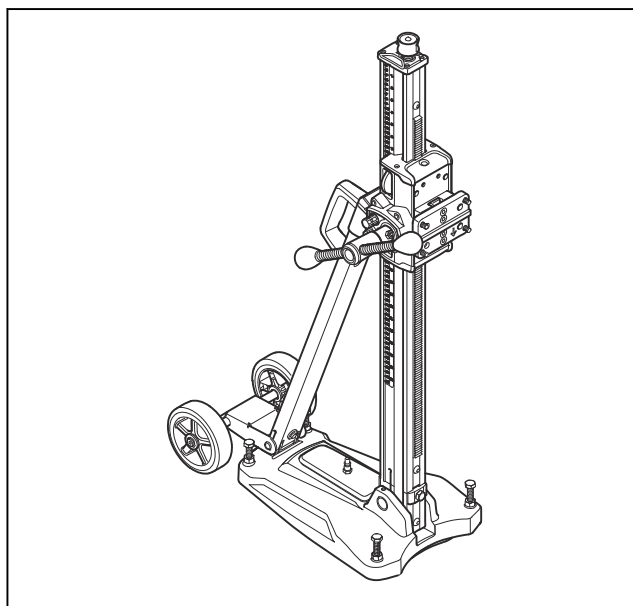
The product is an electrical drill motor for concrete brick and different stone materials. It is used with a drill stand.

Drill motor and drill stand



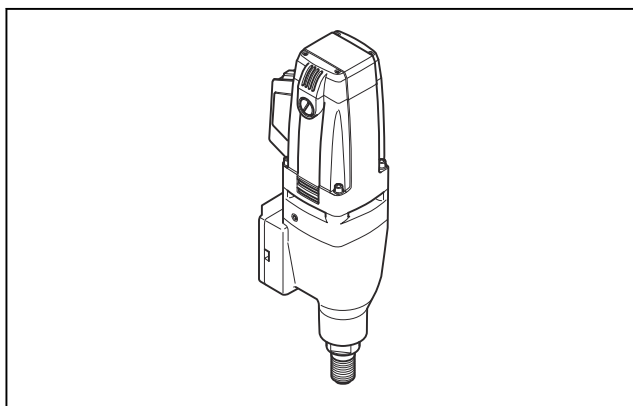
Drill stand

- The drill stand is used when you make holes in walls and floors.
- The drill stand has an installation plate that makes the drill motor easy to attach.
- The bottom plate is made of aluminum.
- The wheel kit can be removed.
- The drill column can be tilted 0-60°.
- The transmission of the feed lever housing is adjustable. The higher position gives 2.5:1 and the lower, 1:1.
- The feed lever is used to adjust the level screws of the bottom plate and to set the applicable angle of the drill column.



Drill motor

- The product has 2 gears.
- The product has double insulations.
- The product has an overload protection that disconnects the power if the drill bit is blocked.
- The water system decreases the temperature of the product.

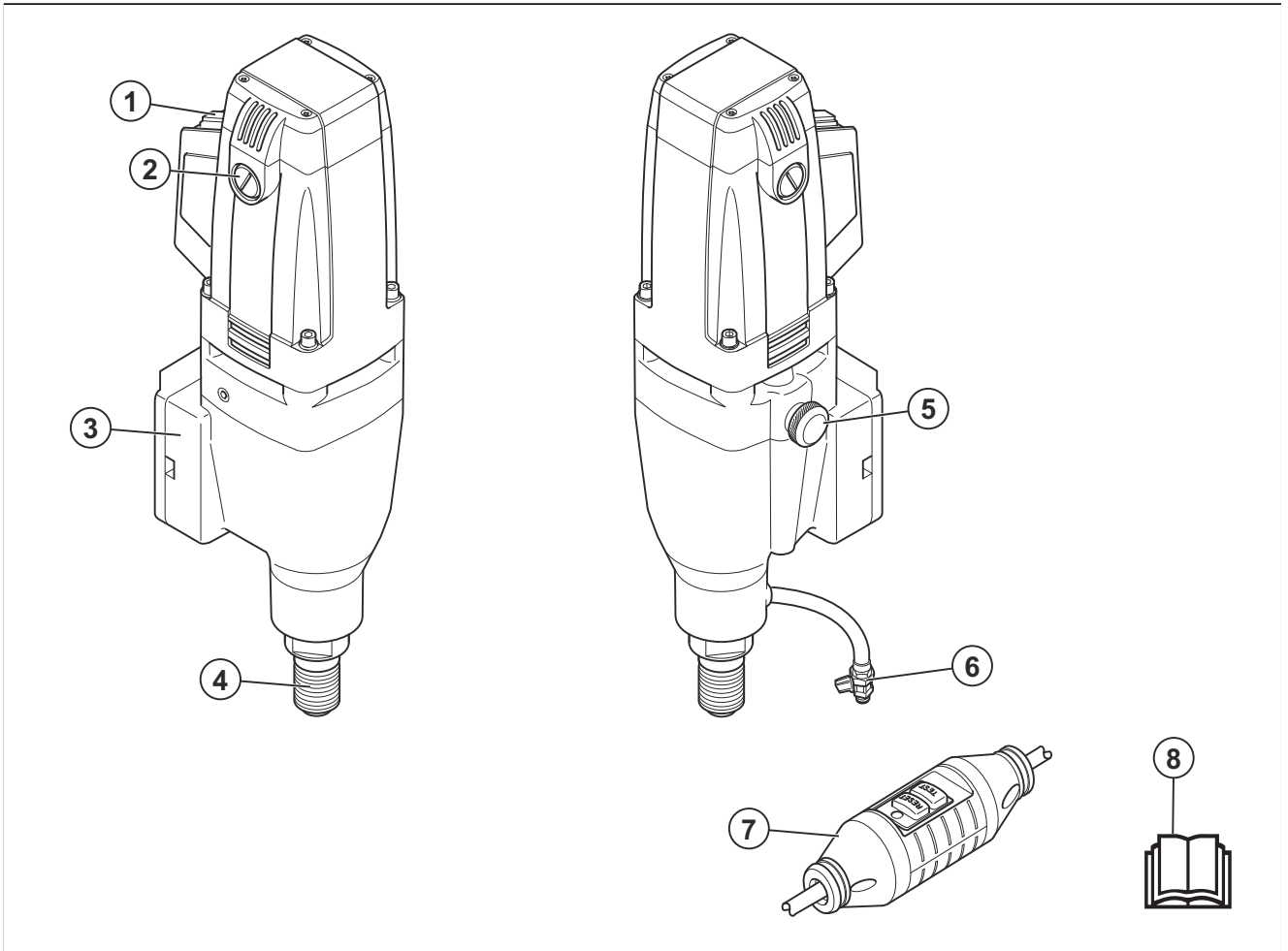


Intended use

This product is used to drill concrete, brick and different stone materials. All other use is incorrect.

The product is used in industrial operations by operators with experience.

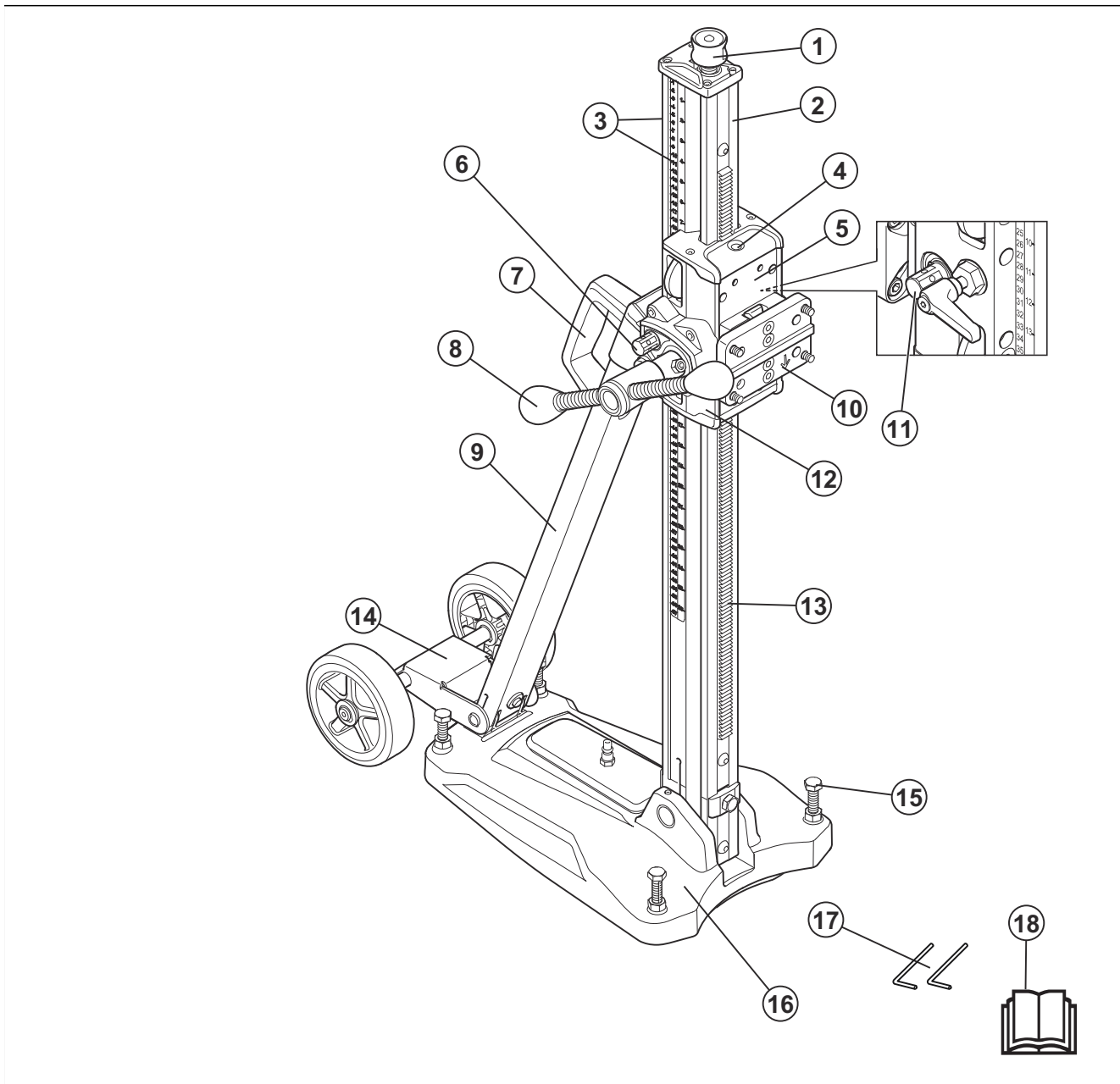
Product overview - drill motor



1. Power switch
2. Carbon brush cover
3. Installation point for the drill stand
4. Drill spindle

5. Gear selector
6. Water connector
7. Residual-current device
8. Operator's manual

Product overview - drill stand



1. Jack screw
2. Drill column
3. Scale for depth and angle
4. Angle indicator
5. Drill motor carriage
6. Screw that locks the angle of the drill column
7. Handle
8. Feed lever
9. Rear support
10. Installation plate
11. Lock for drill motor carriage
12. Gearbox
13. Gear rack
14. Wheel set that can be removed

15. Level adjustment screws
16. Bottom plate
17. Hex key, 3 mm and 4 mm
18. Operator's manual

Symbols on the product



WARNING: Be careful and use the product correctly. This product can cause serious injury or death to the operator or others.



Read the manual carefully and make sure that you understand the instructions before you use the product.



Always put on hearing protection, eye protection and breathing protection.



This product in compliance with applicable EC directives.



Protective earth.

Note: Other symbols/decals on the product refer to special certification requirements for some markets.

Product liability

As referred to in the product liability laws, we are not liable for damages that our product causes if:

- the product is incorrectly repaired.
- the product is repaired with parts that are not from the manufacturer or not approved by the manufacturer.
- the product has an accessory that is not from the manufacturer or not approved by the manufacturer.
- the product is not repaired at an approved service center or by an approved authority.

Safety

Safety definitions

Warnings, cautions and notes are used to point out specially important parts of the manual.



WARNING: Used if there is a risk of injury or death for the operator or bystanders if the instructions in the manual are not obeyed.



CAUTION: Used if there is a risk of damage to the product, other materials or the adjacent area if the instructions in the manual are not obeyed.

Note: Used to give more information that is necessary in a given situation.

Always use common sense



WARNING: Under no circumstances should you modify the original design of the machine without approval from the manufacturer. Always use original spare parts. Unauthorized modifications and/or accessories may lead to serious injury or death to the user or others.



WARNING: The use of products such as cutters, grinders, drills, that sand or form material can generate dust and vapours which may contain hazardous chemicals. Check the nature of the material you intend to process and use an appropriate breathing mask.

It is not possible to cover every conceivable situation you can face when using a drilling machine. Always exercise care and use your common sense. Avoid all situations which you consider to be beyond your capability. If you still feel uncertain about operating procedures after reading these instructions, you should consult an expert before continuing. Do not hesitate to contact your dealer or us if you have any more questions about the use of the drilling machine. We will willingly be of service and provide you with advice as well as help you to use your drilling machine both efficiently and safely.

Do not hesitate to contact your dealer if you have any more questions about the use of the machine. We will willingly be of service and provide you with advice as well as help you to use your machine both efficiently and safely.

Let your Husqvarna dealer check the drilling machine regularly and make essential adjustments and repairs.

Husqvarna has a policy of continuous product development. Husqvarna reserves the right to modify the design and appearance of products without prior notice and without further obligation introduce design modifications.

All information and all data in the operator's manual were applicable at the time the operator's manual was sent to print.

Safety instructions for operation



WARNING: Read all safety warnings, instructions, illustrations and specifications provided with this power tool. Failure to follow all instructions listed below may result in electric shock, fire and/or serious injury.

Save all warnings and instructions for future reference.



WARNING: There is always a risk of injuries when you do work with products that contain moving parts. Wear protective gloves to prevent body injuries.

- Use personal protective equipment. Always wear eye protection. Protective equipment such as a dust mask, non-skid safety shoes, hard hat or hearing protection used for appropriate conditions will reduce personal injuries.
- Keep children and bystanders away while operating a power tool. Distractions can cause you to lose control.
- Remove all unwanted materials from the work area and keep it good illuminated before you start. If the areas are not cleaned and not illuminated there are more risks of accidents.
- Do not operate power tools in explosive atmospheres, such as flammable liquids, gases or dust. Power tools can make sparks which can set fire to the dust or fumes.
- Sudden appearance of persons and animals can make you decrease in control of the product. Because of this, always concentrate and focus on the task.
- Do not use the product in bad weather, such as fog, rain, strong winds, intense cold and equivalent conditions. Dangerous conditions, such as slippery surfaces, can occur because of bad weather.
- Examine the work area before you use the product. Look out for obstacles with risk of sudden and harmful movement. Make sure that no material can become loose and fall or cause injury during operation.
- Always examine the rear side of the surface where the drill bit will go through the surface. Make the area safe and put a mark that shows the work area. Make sure that no injury can occur to persons or material damaged.
- Stay alert, watch what you are doing and use common sense when operating a power tool. Do not use a power tool while you are tired or under the influence of drugs, alcohol or medication. A moment of inattention while operating power tools may result in serious personal injury.
- Prevent unintentional starting. Ensure the switch is in the OFF-position before connecting to power source and/or battery pack, picking up or carrying the tool. Carrying power tools with your finger on the switch or energising power tools that have the switch on invites accidents
- The product can cause objects to eject, which can cause injury to the operator. Remove the adjusting key and wrench before you start the product.
- If devices are provided for the connection of dust extraction and collection facilities, ensure these are connected and correctly used. Use of dust collection can decrease dust-related hazards.
- Do not let familiarity gained from frequent use of tools allow you to become complacent and ignore tool safety principles. A careless action can cause severe injury within a fraction of a second.
- Make sure that all operators, that use the product, have read and understood the contents of the operators manual.
- Dress properly. Do not wear loose clothing or jewellery. Keep your hair and clothing away from moving parts. Loose clothes, jewellery or long hair can be caught in moving parts. .
- Dangerous accidents can occur if the concrete core stay in the drill bit when you pull out the drill motor from the floor or wall.
- Stay at a distance from the drill bit when the motor is running.
- Make sure that no pipes or electrical cables are put in the area where the hole will be made.
- Do not go away from the product when the motor is running.
- Do not overreach. Keep correct foothold and balance at all times. This enables better control of the power tool in unexpected situations.
- Always disconnect the product from the socket during longer work breaks.
- Make sure that there is always one more person close at hand when you use the product. If an accident occurs, you can receive help when necessary.
- Do not use a product with defective safety equipment.
- Do the safety checks, maintenance and service as given in this manual. Some maintenance and service measures must only be done by approved service agents. Refer to *Maintenance on page 14*
- Inspection and/or maintenance must be done with the motor stopped and the plug disconnected from the power outlet.
- Do not force the power tool. Use the correct power tool for your application. The correct power tool will do the job better and safer at the rate for which it was designed.
- Do not use the product if the ON/OFF switch can not stop and start it. If a product can not be controlled with the ON/OFF switch, it is dangerous and must be repaired.
- Do not use a product that has been changed from its factory specification.
- Disconnect the plug from the power source and/or remove the battery pack, if detachable, from the power tool before making any adjustments, changing accessories, or storing power tools. Such preventive safety measures reduce the risk of starting the power tool accidentally.
- Store idle power tools out of the reach of children and do not allow persons unfamiliar with the power tool or these instructions to operate the power tool.

Power tools are dangerous in the hands of untrained users.

- Use the power tool, accessories and tool bits etc. in accordance with these instructions, taking into account the working conditions and the work to be performed. Use of the power tool for operations different from those intended could result in a hazardous situation
- Keep handles and grasping surfaces dry, clean and free from oil and grease. Slippery handles and grasping surfaces do not allow.
- Do not overload the product. If you overload the product, it can be damaged.
- Keep tools sharp and clean in order to make the operations more safe.
- Keep all parts in good condition and make sure that all fixtures are correctly tightened.

General power tool safety warnings



WARNING: Read all safety warnings, instructions, illustrations and specifications provided with this power tool. Failure to follow all instructions listed below may result in electric shock, fire and/or serious injury.

- **Save all warnings and instructions for future reference.** The term "power tool" in the warnings refers to your mains-operated (corded) power tool or battery-operated (cordless) power tool.

Personal protective equipment



WARNING: Read the warning instructions that follow before you use the product.

- Always use correct personal protective equipment when you operate the product. The personal protective equipment does not erase the risk of injury. The personal protective equipment decreases the grade of injury if an accident occurs. Let your dealer help you select the right equipment.
- Use approved eye protection while you operate the product.
- Use heavy-duty slip-resistant boots with steel toe-caps.
- Use clothing that is close-fitting but does not limit your movements.
- Regularly do a check of the condition of the personal protective equipment.
- Use approved heavy duty protective gloves.
- Use rubber protective gloves to prevent skin irritation from wet concrete.
- Use an approved protective helmet.
- Always use approved hearing protection while you operate the product. Noise for a long period can cause noise-induced hearing loss.

- The product causes dust and fumes that is bad for your health. Use an approved respiratory protection.
- Make sure that you have a first aid kit near.
- Sparks can occur when you operate the product. Make sure that you have a fire extinguisher near.
- Do not use loose clothing, jewelry or other items that can get caught in moving parts. Put your hair up safely above shoulder level.

Work area safety

- **Keep work area clean and well lit.** Cluttered or dark areas invite accidents.
- **Do not operate power tools in explosive atmospheres, such as in the presence of flammable liquids, gases or dust.** Power tools create sparks which may ignite the dust or fumes.
- **Keep children and bystanders away while operating a power tool.** Distractions can cause you to lose control.

Electrical safety



WARNING: There is always a risk of shocks from electrical products. Do not use the product in bad weather conditions. Prevent that your body touches lightning conductors and metal objects. Always follow the instructions in the Operator's manual to prevent damage.



WARNING: Do not clean the product with water. Water can enter the electrical system or the engine and cause damage to the product or short circuit.

- Power tool plugs must match the outlet. Never modify the plug in any way. Do not use any adapter plugs with earthed (grounded) power tools. Unmodified plugs and matching outlets will reduce risk of electric shock.
- Avoid body contact with earthed or grounded surfaces, such as pipes, radiators, ranges and refrigerators. There is an increased risk of electric shock if your body is earthed or grounded.
- If operating a power tool in a damp location is unavoidable, use a residual current device (RCD) protected supply. Use of an RCD reduces the risk of electric shock.
- Only connect the product to correctly grounded outlet.
- Check that the mains voltage and fusing corresponds with that stated on the rating plate on the machine.
- Make sure that the cord and extension cable are not damaged and in good condition.
- When operating a power tool outdoors, use an extension cord suitable for outdoor use. Use of a

cord suitable for outdoor use reduces the risk of electric shock.

- Do not use the product if the cord is damaged, hand it in to an approved service center for repair. A damaged cable can cause dangerous injury and in worst case kill.
- Make sure that the extension cable is folded out to prevent overheating before you use it.
- Do not abuse the cord. Never use the cord for carrying, pulling or unplugging the power tool. Keep cord away from heat, oil, sharp edges or moving parts. Damaged or entangled cords increase the risk of electric shock.
- Do not expose power tools to rain or wet conditions. Water entering a power tool will increase the risk of electric shock.
- Make sure that the cord is behind you when you start to use the product. This is to not make damage to the cord.

Electrical safety

- **Power tool plugs must match the outlet. Never modify the plug in any way. Do not use any adapter plugs with earthed (grounded) power tools.** Unmodified plugs and matching outlets will reduce risk of electric shock.
- **Avoid body contact with earthed or grounded surfaces, such as pipes, radiators, ranges and refrigerators.** There is an increased risk of electric shock if your body is earthed or grounded.
- **Do not expose power tools to rain or wet conditions.** Water entering a power tool will increase the risk of electric shock.
- **Do not abuse the cord. Never use the cord for carrying, pulling or unplugging the power tool. Keep cord away from heat, oil, sharp edges or moving parts.** Damaged or entangled cords increase the risk of electric shock.
- **When operating a power tool outdoors, use an extension cord suitable for outdoor use.** Use of a cord suitable for outdoor use reduces the risk of electric shock.
- **If operating a power tool in a damp location is unavoidable, use a residual current device (RCD) protected supply.** Use of a RCD reduces the risk of electric shock.

Personal safety

- **Stay alert, watch what you are doing and use common sense when operating a power tool. Do not use a power tool while you are tired or under the influence of drugs, alcohol or medication.** A moment of inattention while operating power tools may result in serious personal injury.
- **Use personal protective equipment. Always wear eye protection.** Protective equipment such as dust mask, non-skid safety shoes, hard hat or hearing protection used for appropriate conditions will reduce personal injuries.

- **Prevent unintentional starting. Ensure the switch is in the off-position before connecting to power source and/or battery pack, picking up or carrying the tool.** Carrying power tools with your finger on the switch or energising power tools that have the switch on invites accidents.
- **Remove any adjusting key or wrench before turning the power tool on.** A wrench or a key left attached to a rotating part of the power tool may result in personal injury.
- **Do not overreach. Keep proper footing and balance at all times.** This enables better control of the power tool in unexpected situations.
- **Dress properly. Do not wear loose clothing or jewellery. Keep your hair and clothing away from moving parts.** Loose clothes, jewellery or long hair can be caught in moving parts.
- **If devices are provided for the connection of dust extraction and collection facilities, ensure these are connected and properly used.** Use of dust collection can reduce dust-related hazards.
- **Do not let familiarity gained from frequent use of tools allow you to become complacent and ignore tool safety principles.** A careless action can cause severe injury within a fraction of a second.

Power tool use and care

- **Do not force the power tool. Use the correct power tool for your application.** The correct power tool will do the job better and safer at the rate for which it was designed.
- **Do not use the power tool if the switch does not turn it on and off.** Any power tool that cannot be controlled with the switch is dangerous and must be repaired.
- **Disconnect the plug from the power source and/or remove the battery pack, if detachable, from the power tool before making any adjustments, changing accessories, or storing power tools.** Such preventive safety measures reduce the risk of starting the power tool accidentally.
- **Store idle power tools out of the reach of children and do not allow persons unfamiliar with the power tool or these instructions to operate the power tool.** Power tools are dangerous in the hands of untrained users.
- **Maintain power tools and accessories. Check for misalignment or binding of moving parts, breakage of parts and any other condition that may affect the power tool's operation. If damaged, have the power tool repaired before use.** Many accidents are caused by poorly maintained power tools.
- **Keep cutting tools sharp and clean.** Properly maintained cutting tools with sharp cutting edges are less likely to bind and are easier to control.
- **Use the power tool, accessories and tool bits etc. in accordance with these instructions, taking into account the working conditions and the work to be performed.** Use of the power tool for operations

different from those intended could result in a hazardous situation.

- **Keep handles and grasping surfaces dry, clean and free from oil and grease.** Slippery handles and grasping surfaces do not allow for safe handling and control of the tool in unexpected situations.

Service

- **Have your power tool serviced by a qualified repair person using only identical replacement parts.** This will ensure that the safety of the power tool is maintained.
- **Never service damaged battery packs.** Service of battery packs should only be performed by the manufacturer or authorized service providers.

Diamond drill safety warnings

- **When performing drilling that requires the use of water, route the water away from the operator's work area or use a liquid collection device.** Such precautionary measures keep the operator's work area dry and reduce the risk of electrical shock.
- **Operate power tool by insulated grasping surfaces, when performing an operation where the cutting accessory may contact hidden wiring or its own cord.** Cutting accessory contacting a "live" wire may make exposed metal parts of the power tool "live" and could give the operator an electric shock.
- **Wear hearing protection when diamond drilling.** Exposure to noise can cause hearing loss.
- **When the bit is jammed, stop applying downward pressure and turn off the tool.** Investigate and take corrective actions to eliminate the cause of the bit jamming.
- **When restarting a diamond drill in the workpiece, check that the bit rotates freely before starting.** If the bit is jammed, it may not start, may overload the tool, or may cause the diamond drill to release from the workpiece.
- **When securing the drill stand with anchors and fasteners to the workpiece, ensure that the anchoring used is capable of holding and restraining the machine during use.** If the workpiece is weak or porous, the anchor may pull out causing the drill stand to release from the workpiece.
- **When the drilling through walls or ceilings, ensure to protect persons and the work area on the other side.** The bit may extend through the hole or the core may fall out on the other side.
- **When drilling overhead, always use the liquid collection device specified in the instructions. Do not allow water to flow into the tool.** Water entering the power tool will increase the risk of electric shock.

Safety devices on the product

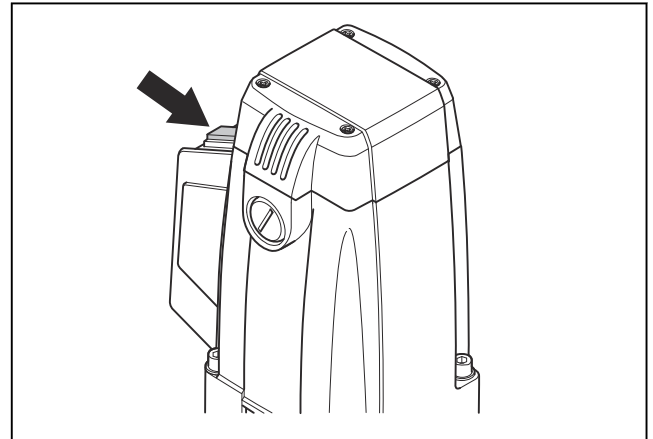


WARNING: Read the warning instructions that follow before you use the product.

- Do not use a product with defective safety devices.
- Do a check of the safety devices regularly. If the safety devices are defective, speak to your Husqvarna service agent.
- Do not make modifications to safety devices.

To do a check of the ON/OFF switch

1. Make sure that the motor starts when you put the ON/OFF switch in the ON position.



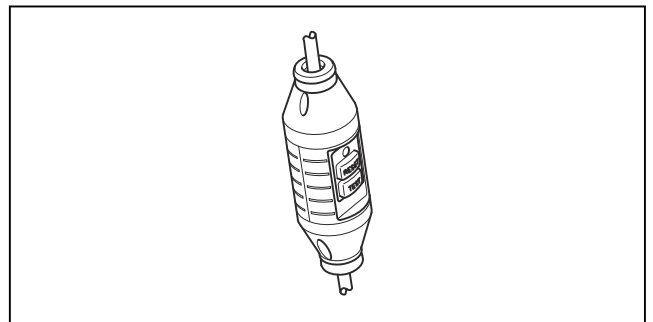
2. Make sure that the motor stops immediately when you put the switch in the OFF position.

Residual-current device

Note: Not for United Kingdom and Ireland 110V.

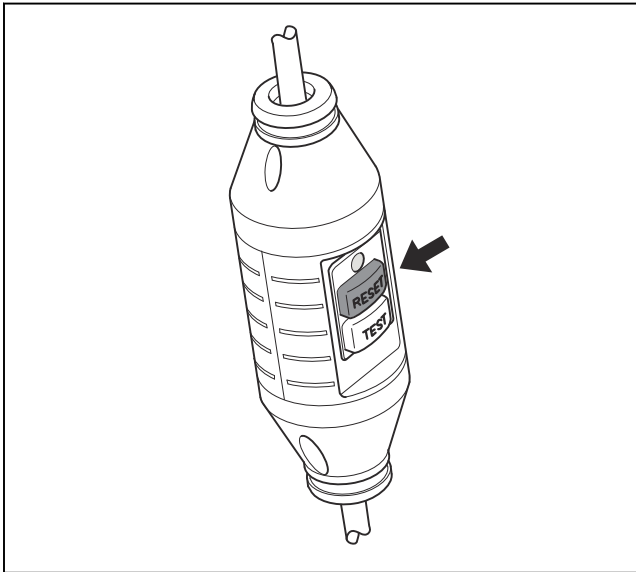
Ground fault circuit interrupters are for protection if an electrical fault occurs.

The LED shows that the ground fault circuit interrupter is on and that the product can be started. If the LED is not on, push the RESET button.

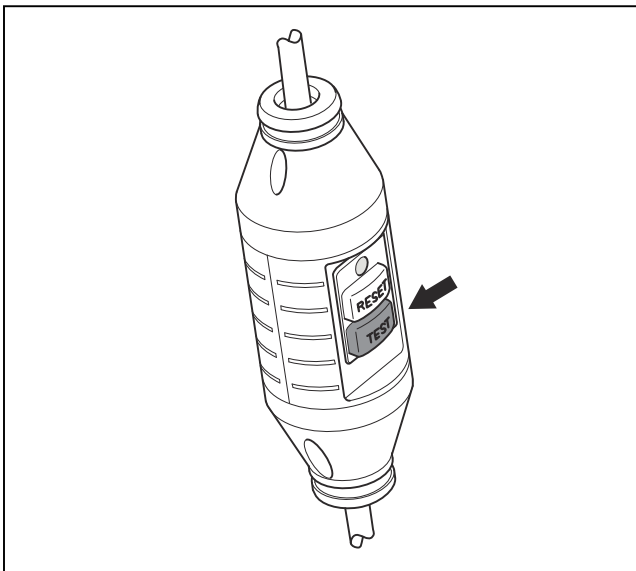


To examine the residual-current device

1. Connect the product to the mains socket. Push the RESET button and the red LED comes on.



2. Start the product.
3. Push the TEST button.



4. The ground fault circuit interrupter should trip and the product should stop immediately. Get support from your dealer if the product does not stop.
5. Reset with the RESET button.

Safety instructions for diamond tools

- When performing drilling that requires the use of water, route the water away from the operator's work area or use a liquid collection device. Such precautionary measures keep the operator's work area dry and reduce the risk of electrical shock.
- Operate power tool by insulated grasping surfaces, when performing an operation where the cutting

accessory may contact hidden wiring or its own cord. Cutting accessory contacting a "live" wire may make exposed metal parts of the power tool "live" and could give the operator an electric shock.

- Wear hearing protection when diamond drilling. Exposure to noise can cause hearing loss.
- When the bit is jammed, stop applying downward pressure and turn off the tool. Investigate and take corrective actions to eliminate the cause of the bit jamming.
- When restarting a diamond drill in the workpiece check that the bit rotates freely before starting. If the bit is jammed, it may not start, may overload the tool, or may cause the diamond drill to release from the workpiece.
- When securing the drill stand with anchors and fasteners to the workpiece, ensure that the anchoring used is capable of holding and restraining the machine during use. If the workpiece is weak or porous, the anchor may pull out causing the drill stand to release from the workpiece.
- When drilling through walls or ceilings, ensure to protect persons and the work area on the other side. The bit may extend through the hole or the core may fall out on the other side.
- Do not use this tool for overhead drilling with water supply. Water entering the power tool will increase the risk of electric shock.
- When drilling overhead, always use the liquid collection device specified in the instructions. Do not allow water to flow into the tool. Water entering the power tool will increase the risk of electric shock.

Safety instructions for maintenance



WARNING: Inspection and/or maintenance should be carried out with the motor switched off and the plug disconnected.

- Maintain power tools and accessories. Check for misalignment or binding of moving parts, breakage of parts and any other condition that may affect the power tool's operation. If damaged, have the power tool repaired before use. Many accidents are caused by poorly maintained power tools.
- Keep cutting tools sharp and clean. Properly maintained cutting tools with sharp cutting edges are less likely to bind and are easier to control.
- Have your power tool serviced by a qualified repair person using only identical replacement parts. This will ensure that the safety of the power tool is maintained.

Assembly

Introduction



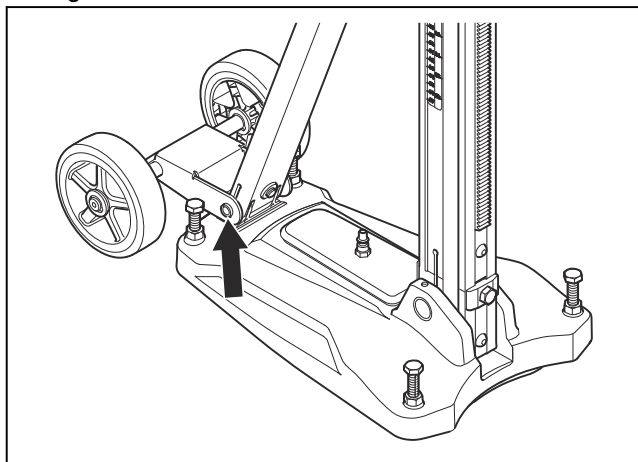
WARNING: Read and understand the safety chapter before you assemble the product.



WARNING: To prevent injury, disconnect the power cord and remove the drill bit before assembly.

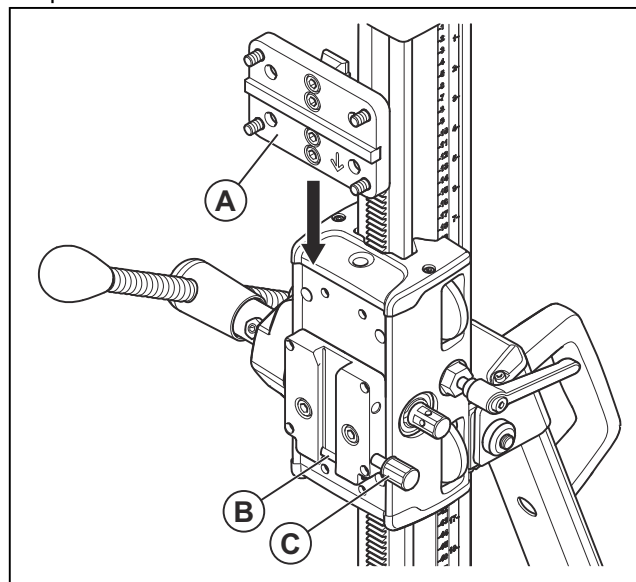
To attach the wheel kit

1. Attach the wheel kit on the rear side of the bottom plate.
2. Tighten the screws.



To attach the drill motor

1. Lock the drill motor carriage.
2. Attach the drill motor on the installation plate (A).
3. Attach the installation plate and drill motor in the track (B) on the drill motor carriage.
4. Turn the screw (C) to lock the drill motor into position.



Installation

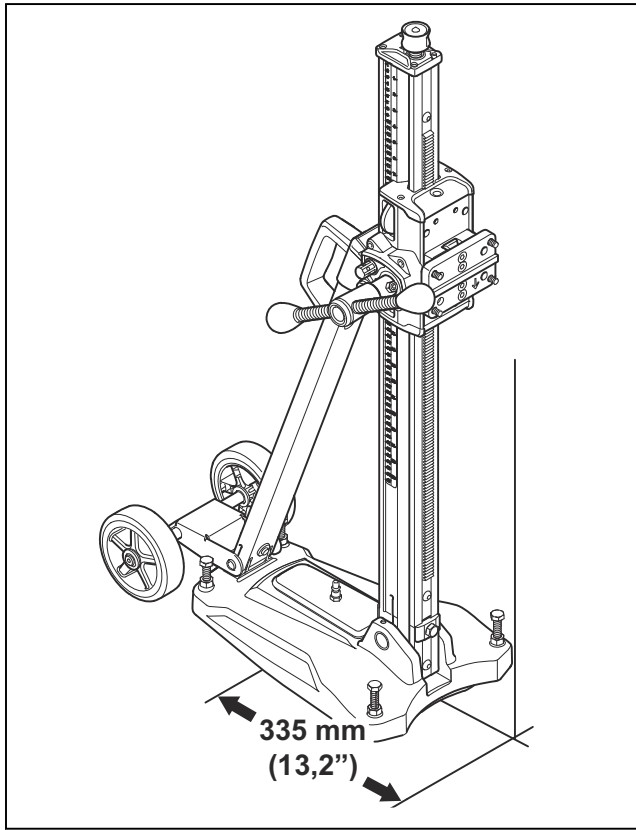
Drill stand installation in operations

There are 2 methods that can be used to attach the drill stand during a drill operation:

- With an expander bolt
- With a rod that has a thread, washer and locknut

To attach the drill stand with an expander bolt

1. Make a hole for the expander bolt. Measure a distance of 335 mm (13.2 in.) from the center of the hole that you will drill.



2. Attach the bottom plate with an expander bolt.
3. Tighten the expander bolt fully.
4. If it is necessary, adjust the bottom plate. Use the level adjustment screws to adjust the bottom plate to the surface.

To attach the drill stand with a rod that has a thread

1. Examine the surface quality of the roof or walls to see if the surface quality is sufficient to make holes in.
2. If the surface quality is sufficient, attach the bottom plate with a rod that has a thread.
3. Install the drill stand with a washer and locknut.

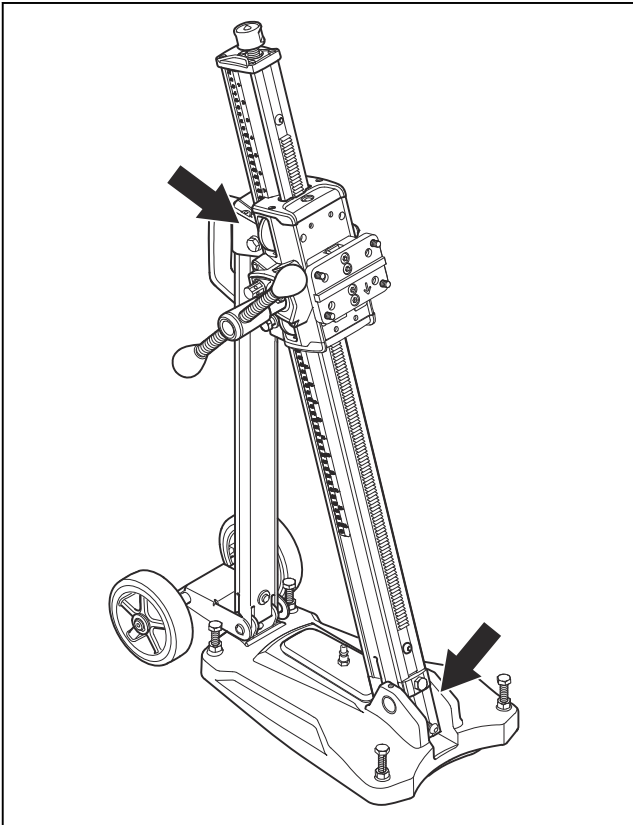
Operation

Before you operate the product

1. Read the operator's manual carefully and make sure that you understand the instructions.
2. Keep the work area clean and bright to prevent accidents to occur.
3. Do a daily start and stop check. Refer to *To do a check of the ON/OFF switch on page 9*
4. Do daily maintenance. Refer to *Daily maintenance of the drill motor on page 14*.
5. Make sure that the product is installed correctly. The drill bit and drill stand must be attached correctly. Use an applicable method to attach the product on the drill stand.
6. Use personal protective equipment. Refer to *Personal protective equipment on page 7*.
7. Make sure that the water system is not damaged and is connected to the product.
8. Make sure that the residual-current device is started. Refer to *Residual-current device on page 9* and *To examine the residual-current device on page 10*

To adjust the angle of the drill column

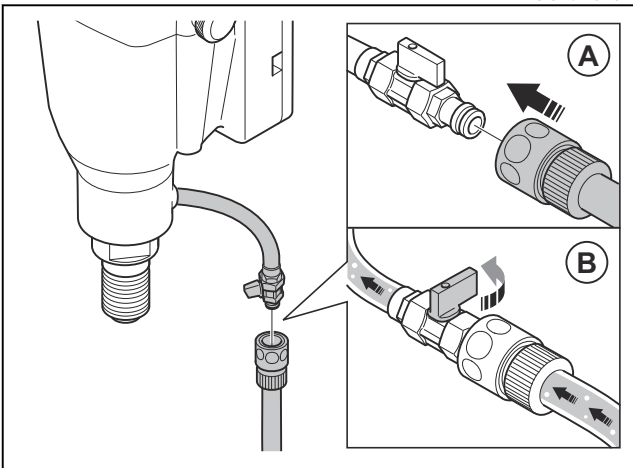
1. Loosen the screws that lock the drill column and set the applicable drill angle.



2. Use the angle indicator for approximate adjustment. If higher precision is necessary, use alternative methods to measure.
3. Tighten the lock screws of the drill column. Use the feed lever. The drill column can be tilted 0-60°.

To connect the water supply

1. Connect the water connector to the water supply (A).



2. Open the water system (B). Refer to *Technical data - drill motor on page 17* for maximum water pressure.

To start the product



CAUTION: Do not use more force than necessary. This only makes the operation slow and cause overload to the motor.



CAUTION: Use especially very small pressure where there are rebars. High pressure against rebars releases the residual-current device.

1. Start the water system.
2. Push the power switch fully.
3. Let the motor speed increase to the maximum speed before the drill bit comes in touch with the workpiece.
4. Push the drill bit on to the workpiece with the feed lever.
5. Use very small pressure initially, this is to keep the drill bit in correct position. Then continue as usual.
6. If the residual-current device releases, remove the drill bit from the workpiece before you reset.

To stop the product



WARNING: The drill bit continues to rotate for some time after the motor stops. Do not stop the drill bit with your hands. Injuries can occur.

1. Push the on/off switch to stop the product.
2. Wait until the drill bit has fully stopped.

To decrease the temperature of the motor

- Operate the product with no load for 2 minutes to decrease the temperature of the motor.

Maintenance

Introduction



WARNING: Read and understand the safety chapter before you do maintenance on the product.



WARNING: To prevent injury, disconnect the power cord before you do maintenance.

Daily maintenance of the drill motor

- Make sure that the nuts and screws are tight.
- Make sure that the on/off switch unit operates correctly.
- Clean the external surface of the drill motor.
- Make sure that the cold air openings are clean.
- Make sure that the power cord and the extension cable are in good condition and not damaged.

Daily maintenance of the drill stand

- Make sure that the nuts and screws are tight.
- Clean the external surface of the drill stand.
- Make sure that the feed lever moves without resistance.
- Make sure that the gears move easily and do not cause a noise.
- Examine the drill column, look for wear or damage.
- Make sure that the drill motor carriage moves easily and that there is no play against the drill column.

To clean the drill motor



WARNING: Do not clean the drill motor with water. Water can cause short-circuit or damage to the drill motor.

- Clean the drill bit and drill motor with compressed air.
- Make sure that there is no dirt or blockage on the cold air openings.

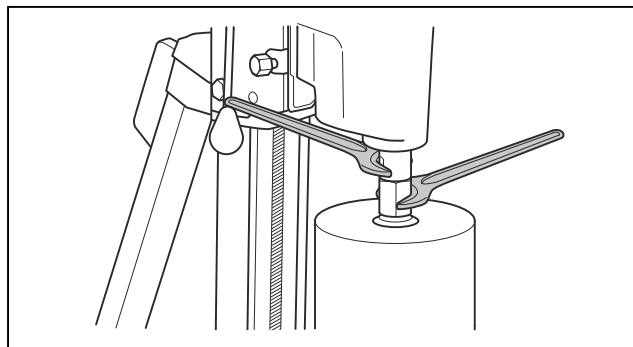
To replace the drill bit



WARNING: Pull out the plug from the mains outlet before you replace the drill bit.

1. Make sure that you have got a new drill bit, 2 wrenches and water resistant grease.

2. Use the wrenches to remove the drill bit.



3. Apply water resistant grease to the thread of the new drill bit.
4. Use the wrenches to attach the drill bit.

Clutch

If transmitted torque is lowered, the clutch must be adjusted. Let an approved service center adjust the clutch.

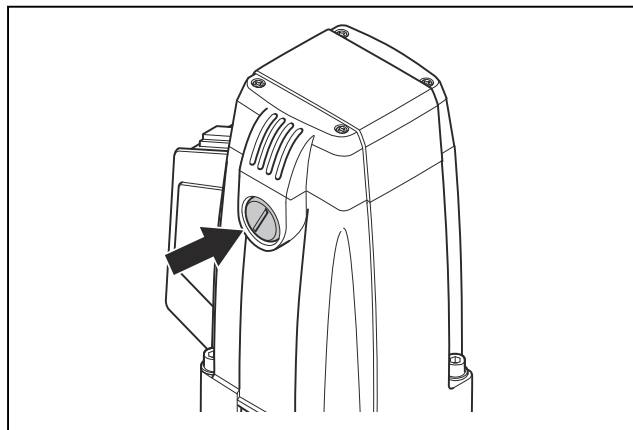
To replace the carbon brushes

Remove and examine the carbon brushes weekly if the drill motor is used daily. At longer intervals if the drill motor is not used frequently. The area of wear must be equal on the two carbon brushes and not damaged.



CAUTION: You must replace the 2 carbon brushes at the same time.

1. Remove the cover for the carbon brushes with a flat wide screwdriver.



2. Carefully remove the carbon brushes. Replace the carbon brushes if there is less than 6 mm remaining on the brushes.
3. Install new carbon brushes.
4. Attach the cover for the carbon brushes.
5. Operate the drill motor at idle speed for 10 minutes to do a run-in of the new carbon brushes.

To clean and lubricate the drill stand



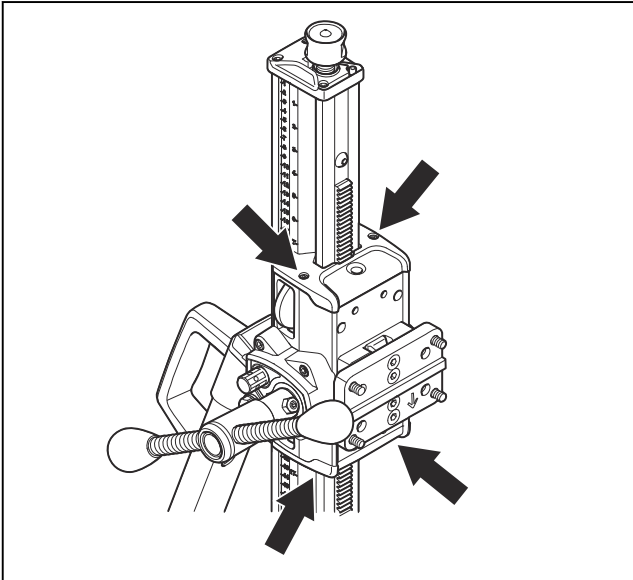
CAUTION: If you do not clean the drill stand, it can become damaged.

1. Remove the drill motor.
2. Clean the drill stand with a high pressure washer and then remove remaining water with a dry cloth.
3. Lubricate the moving parts on the drill stand. Apply grease to the contact surfaces to prevent corrosion.

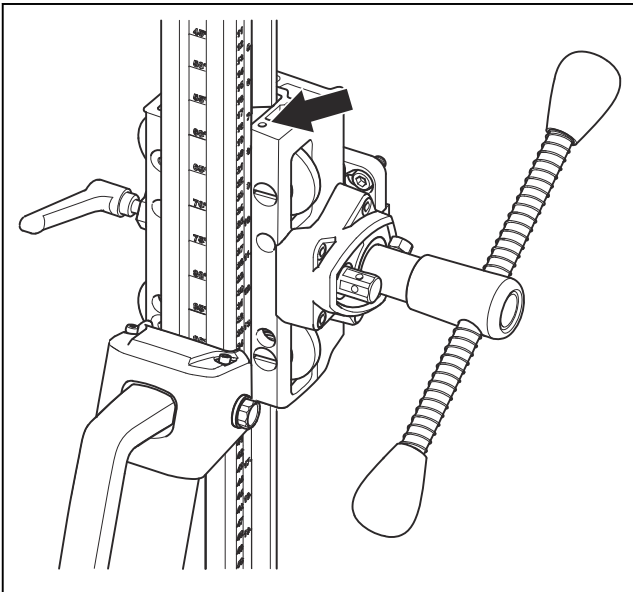
To adjust the drill motor carriage

If there is play between the drill column and the drill motor carriage, the drill motor carriage must be adjusted.

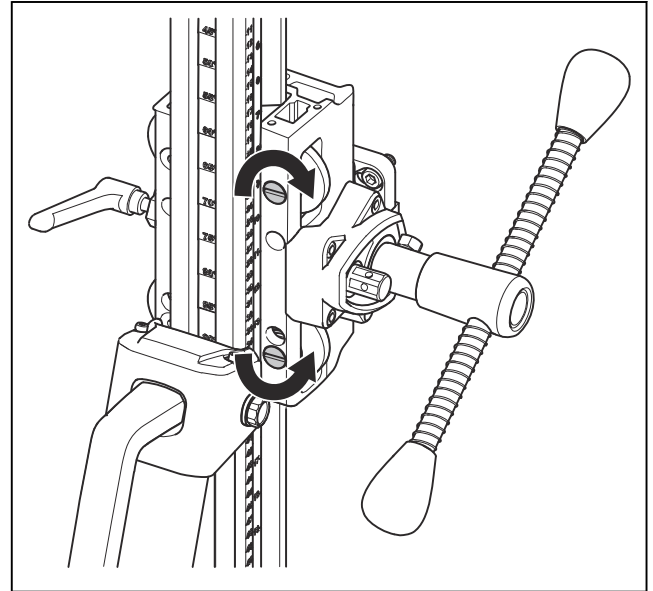
1. Remove the plastic covers from the top and bottom of the drill motor carriage.



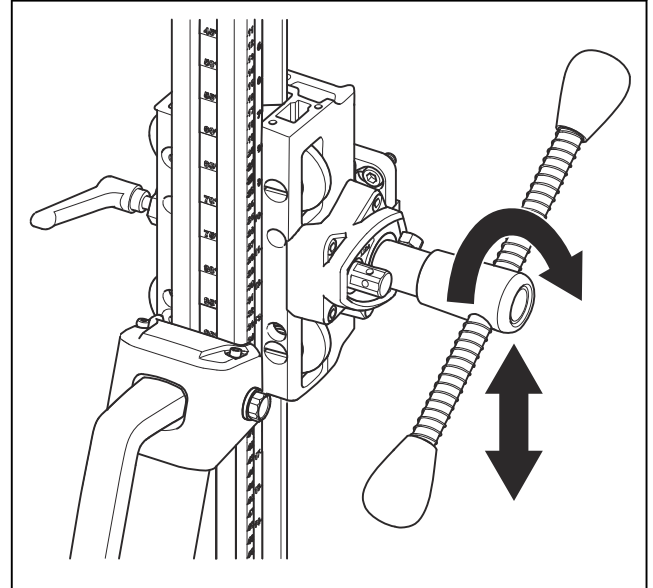
2. Loosen the set screws that hold the roller shafts.



3. Start with the top roller shaft. Use a flat screwdriver and turn clockwise to move the roller shaft nearer to the drill column.
4. Tighten the set screw to lock the roller shaft.
5. Adjust the lower roller shaft, turn the screw counterclockwise to move the roller shaft nearer to the drill column.



6. Tighten the set screw to lock the roller shaft.
7. Use the feed lever to see if the drill motor carriage moves smoothly on the drill column. If not, adjust the roller shafts again.



8. Install the plastic covers to the top and bottom of the drill motor carriage.

Troubleshooting

Troubleshooting schedule

If you cannot find a solution to your problems in this operator's manual, speak to your Husqvarna service agent.

Problem	Steps to do immediately	Possible cause	Solution
The operation is unusually slow.	Check drill bit.	Drill bit is worn out.	Replace drill bit.
		Drill bit is clogged with particles.	Clean the drill bit with a wire brush and increase water pressure.
		Diamond drill bit is rounded.	Use a softer bond drill bit. Increase the force on feed lever.
	Look for metal powder in waste water.	Drill motor cuts a rebar.	Easily move the feed lever to not release the residual-current device.
The drill bit is blocked.	Stop the drill motor.	Stone or steel bar is caught between core and drill bit.	Rotate the drill bit clockwise with a wrench to release it while you pull out the feed lever. If you rotate it counterclockwise, it can loosen the drill bit from the tube.
		Bottom plate moves during the operation.	Reset the bottom plate and tighten safely.
		Clamp has too much free play.	Adjust clearance of clamp correctly.
		The outer diameter of the bit is the same as of the tube.	Replace the drill bit.
The tube is ground down.	Stop the drill motor.	Clamp has too much free play.	Adjust clearance of clamp correctly.
		Drill bit, tube, or bottom plate are loose.	Tighten safely.
		Drill bit is damaged.	Replace the drill bit.
		Particles do not release correctly.	Increase water pressure and volume.

Transportation and storage

Transportation and storage

- Keep the product in a locked area to prevent access for children or persons that are not approved.
- Keep the product in a dry and frost free area.
- Remove the drill bit before transportation or storage of the product. This is to prevent damage to the product and the drill bits.
- Safety the product during transportation to prevent damage and accidents.

Technical data

Technical data - drill motor

	DMS 240
Motor	
Electrical motor	Single-phase
Rated voltage, V	230/100-120
Rated output, W	2400
Rated current, A	
230 V	10
100-120 V	20
Weight	
Kg/lbs	5.9/13
Speed spindle, idle, rpm	
Position 1	390
Position 2	890
Drill bit	
Max. drill diameter, mm/inches	250/10
Spindle thread, inner	G ½" outer 5/8" 11 UNC
Spindle thread, outer	1 1/4"7 UNC
Maximum water pressure, bar	8
Water connector	G 1/4"
Noise emissions	
Sound power level, measured dB (A)	106
Sound power level, guaranteed L _{WA} dB (A)	107
Sound levels	
Sound pressure level at the operators ear, dB (A)	90
Vibration levels	
Handle, m/s ²	<2

Technical data - drill stand

Height, mm/in.	1052/41.4
Width, mm/in.	266/10.5

Depth, mm/in.	545/21.5
Weight, kg/lbs	14.5/32
Travel length, mm/in.	686/27
Drill column angle	0-60°

Service

Approved service center

To find your nearest Husqvarna approved service center, go to the web site .

Declaration of Conformity

EU Declaration of Conformity

We, **Husqvarna AB**, SE-561 82 Huskvarna, Sweden, tel:
+46-36-146500, declare on our sole responsibility that
the product:

Description	Drill Machine
Brand	Husqvarna
Type/Model	DMS 240
Identification	Serial numbers dating from 2022 and onwards

complies fully with the following EU directives and
regulations:

Directive/Regulation	Description
2006/42/EC	"relating to machinery"
2014/30/EU	"relating to electromagnetic compability"
2011/65EU	"relating to restriction of hazardous substances"

and that the following harmonized standards and/or
technical specifications are applied;

EN ISO 12100:2010

EN 62841-3-6:2014

EN 55014-1:2006+A1:2009+A2:2011

EN 55014-2:1997+A1:2001+A2:2008

EN 61000-3-2:2014

EN 61000-3-3:2013

EN IEC 63000:2018

Partille, 2022-12-02



Fredrik Sandinge

Global R&D Director

Concrete Surfaces & Floors

Husqvarna AB, Construction Division

UK Declaration of Conformity

We, **Husqvarna AB**, SE-561 82 Huskvarna, Sweden, tel:
+46-36-146500, declare on our sole responsibility that
the product:

Description	Transportable diamond core drill
Brand	Husqvarna
Type/Model	DMS 240
Identification	Serial numbers dating from 2022 and onwards

complies fully with the following UK regulations:

The Supply of Machinery (Safety) Regulations 2008
Electromagnetic Compatibility Regulations 2016
The Restriction of the Use of Certain Hazardous Substances in Electrical and Electronic Equipment Regulations 2012

and that the following standards and/or technical specifications are applied;

EN ISO 12100:2010

EN 62841-3-6:2014

EN 55014-1:2006+A1:2009+A2:2011

EN 55014-2:1997+A1:2001+A2:2008

EN 61000-3-2:2014

EN 61000-3-3:2013

EN IEC 63000:2018

Partille, 2022-12-02



Fredrik Sandinge

R&D Director, Concrete Sawing & Drilling Equipment

Husqvarna AB, Construction Division

Responsible for technical documentation

**UK
CA**

UK Importer:

Husqvarna UK Ltd

Preston Road, Co. Durham

DL5 6UP

Inhalt

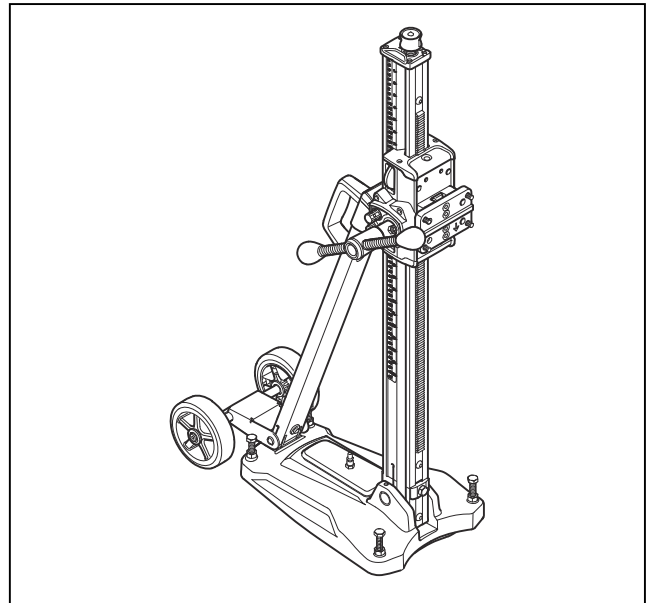
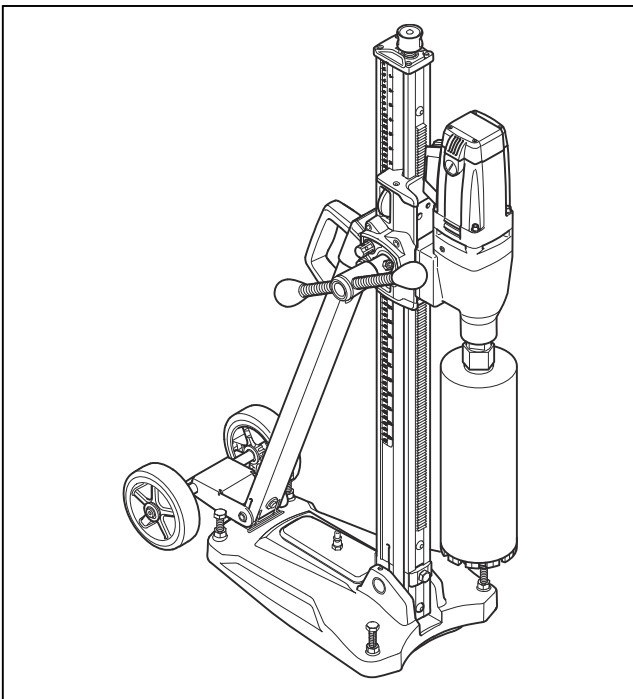
Einleitung.....	21	Fehlerbehebung.....	36
Sicherheit.....	24	Transport und Lagerung.....	37
Montage.....	31	Technische Daten.....	38
Installation.....	32	Service.....	39
Betrieb.....	33	Konformitätserklärung.....	40
Wartung.....	34		

Einleitung

Beschreibung des Geräts

Das Gerät ist ein elektrischer Bohrmotor für Beton, Ziegel und verschiedene andere Gesteine. Es wird mit einem Bohrständer eingesetzt.

Bohrmotor und Bohrständer

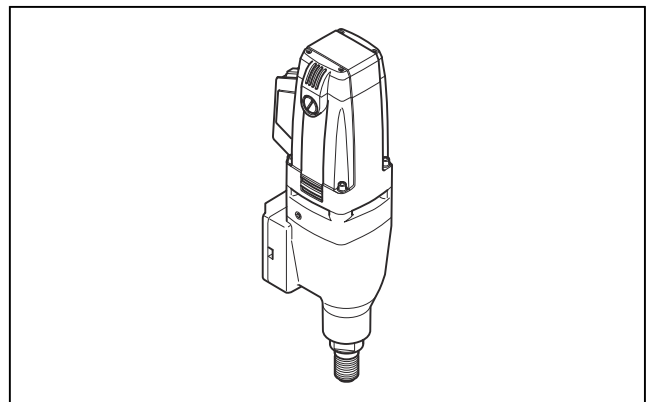


Bohrmotor

- Das Gerät verfügt über 2 Gänge.
- Das Gerät ist doppelt isoliert.
- Das Gerät hat einen Überlastungsschutz, mit dem die Stromzufuhr unterbrochen wird, wenn das Bohrbit blockiert ist.
- Das Wassersystem kühlt das Gerät.

Bohrständer

- Der Bohrständer dient zum Bohren von Löchern in Wände und Böden.
- Dank der Installationsplatte des Bohrständers kann der Bohrmotor leicht befestigt werden.
- Die untere Platte besteht aus Aluminium.
- Das Rad-Set kann entfernt werden.
- Die Säule kann um 0–60° gekippt werden.
- Das Getriebe des Zuführungshebelgehäuses ist verstellbar. In der oberen Stellung ist die Übersetzung 2,5:1; in der unteren 1:1.
- Mit dem Zuführungshebel werden die Höhenverstellungsschrauben der unteren Platte verstellt und der gewünschte Winkel der Bohrsäule eingestellt.

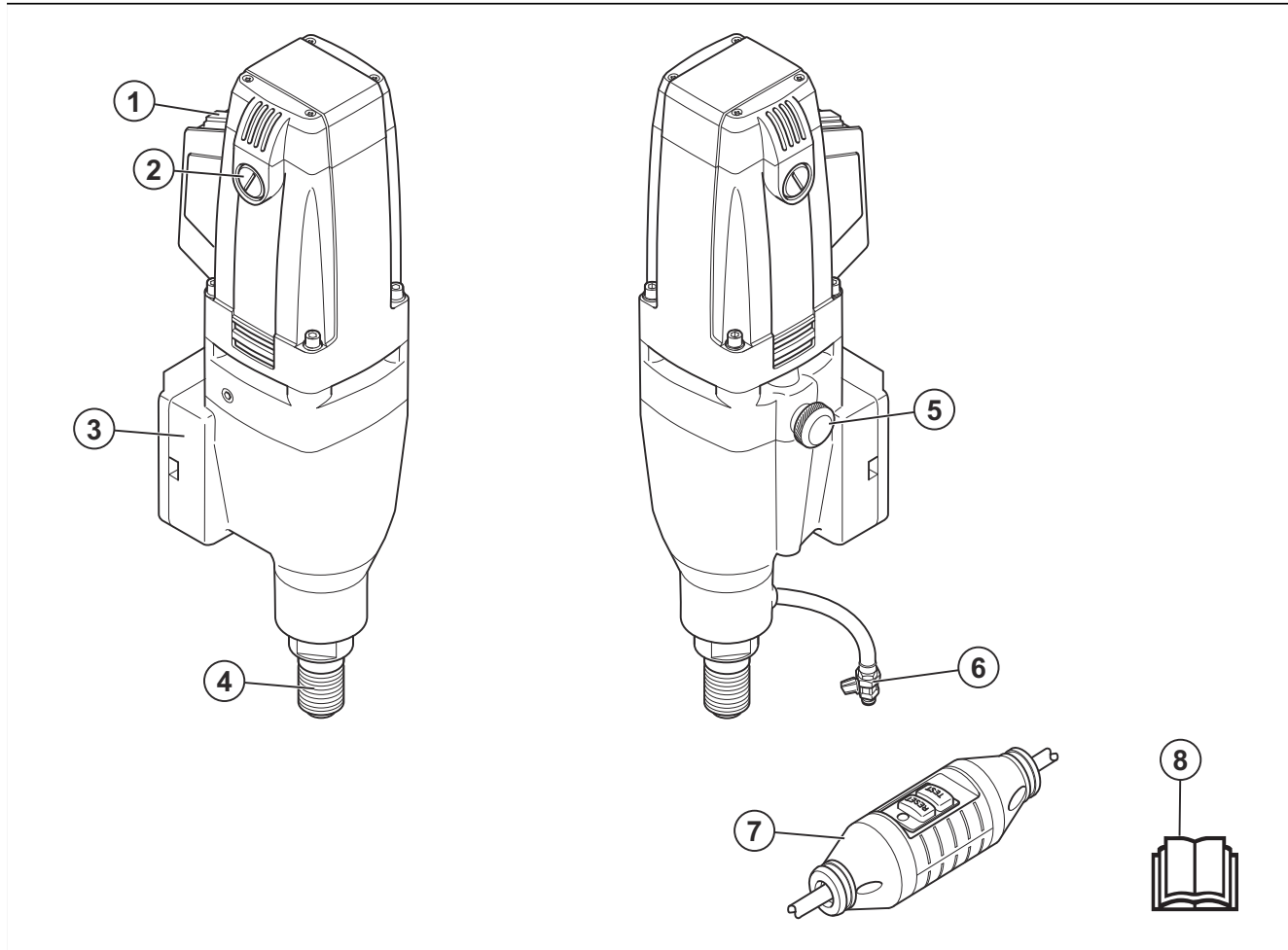


Verwendungszweck

Dieses Gerät wird zum Bohren in Beton, Ziegeln und verschiedenen Gesteinen verwendet. Jede andere Verwendung ist nicht korrekt.

Das Gerät wird von erfahrenen Bedienern im Industriebetrieb eingesetzt.

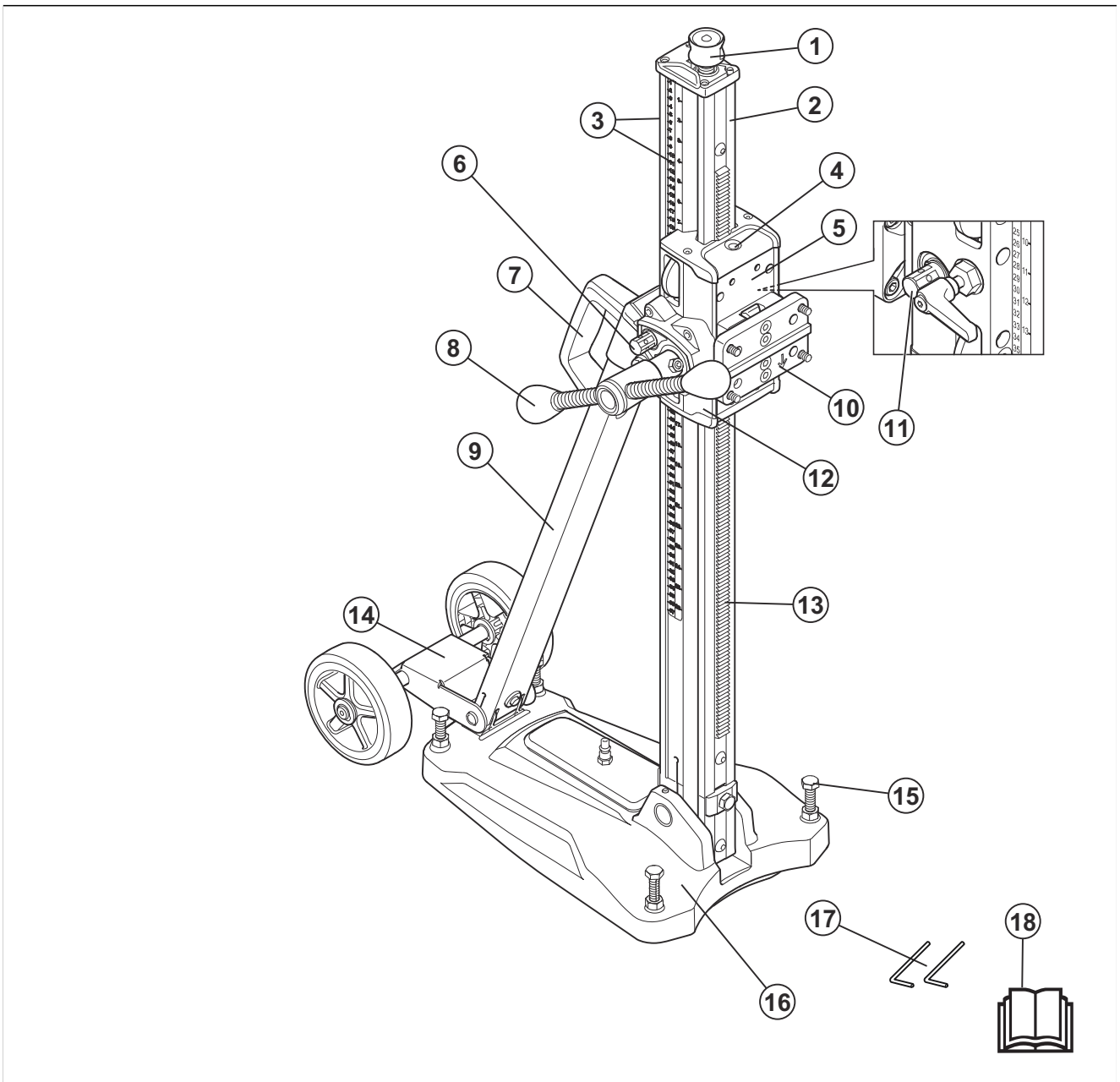
Produktübersicht – Bohrmotor



1. Schalter
2. Kohlebürstenabdeckung
3. Installationsstelle für den Bohrstander
4. Bohrspindel

5. Schaltung
6. Wasseranschluss
7. Fehlerstromgerät
8. Betriebsanleitung

Produktübersicht – Bohrständer



1. Sicherungsschraube
2. Bohrsäule
3. Tiefen- und Winkelskala
4. Winkelmesser
5. Bohrmotorschlitten
6. Feststellschraube für den Bohrsäulenwinkel
7. Griff
8. Zuführungshebel
9. Hintere Halterung
10. Installationsplatte
11. Sperre für den Bohrmotorschlitten
12. Getriebe
13. Zahnstange
14. Ausbaubares Rad-Set

15. Höhenverstellerschrauben
16. Untere Platte
17. Sechskantschlüssel, 3 mm und 4 mm
18. Betriebsanleitung

Symbole auf dem Gerät



WARNUNG: Gehen Sie vorsichtig vor, und verwenden Sie das Gerät ordnungsgemäß. Dieses Gerät kann schwere Verletzungen des Bedieners oder anderer Personen verursachen.



Lesen Sie die Betriebsanleitung sorgfältig durch, und machen Sie sich mit den Anweisungen vertraut, bevor Sie das Gerät verwenden.



Tragen Sie immer Gehörschutz, Schutzbrille und Atemschutz.



Dieses Produkt stimmt mit den geltenden CE-Richtlinien überein.



Schutzerde.

Zertifizierungsanforderungen, die in bestimmten Ländern gelten.

Produkthaftung

Im Sinne der Produkthaftungsgesetze übernehmen wir keine Haftung für Schäden, die unser Gerät verursacht, wenn...

- das Gerät nicht ordnungsgemäß repariert wird.
- das Gerät mit Teilen repariert wird, die nicht vom Hersteller stammen oder nicht vom Hersteller zugelassen sind.
- ein Zubehörteil mit dem Gerät verwendet wird, das nicht vom Hersteller stammt oder nicht vom Hersteller zugelassen ist.
- das Gerät nicht bei einem zugelassenen Service Center oder von einem zugelassenen Fachmann repariert wird.

Hinweis: Sonstige Symbole/Aufkleber am Gerät beziehen sich auf spezielle

Sicherheit

Sicherheitsdefinitionen

Warnungen, Vorsichtsmaßnahmen und Hinweise werden verwendet, um auf besonders wichtige Teile der Bedienungsanleitung hinzuweisen.



WARNUNG: Wird verwendet, wenn bei Nichtbeachtung der Anweisungen in diesem Handbuch die Gefahr von Verletzung oder Tod des Bedieners oder anderer Personen besteht.



ACHTUNG: Wird verwendet, wenn bei Nichtbeachtung der Anweisungen in diesem Handbuch die Gefahr von Schäden am Gerät, an anderen Materialien oder in der Umgebung besteht.

Hinweis: Für weitere Informationen, die in bestimmten Situationen nötig sind.

Arbeiten Sie stets mit gesundem Menschenverstand!



WARNUNG: An der Bauweise des Geräts dürfen ohne vorherige Genehmigung des Herstellers keine Veränderungen vorgenommen werden. Verwenden Sie stets Originalersatzteile. Unzulässige Änderungen und/oder Zubehör können zu schweren oder tödlichen Verletzungen des Benutzers oder anderer Personen führen.



WARNUNG: Die Verwendung von Fräsmaschinen, Schleifmaschinen und Bohrern, die Material abschleifen oder umformen, kann Staub und Ausdünstungen verursachen, die gefährliche Chemikalien enthalten können. Überprüfen Sie die Beschaffenheit des Materials, das Sie bearbeiten wollen, und verwenden Sie einen geeigneten Atemschutz.

Es ist nicht möglich, hier alle denkbaren Situationen zu beschreiben, die beim Gebrauch eines Bohrgeräts auftreten können. Gehen Sie stets vorsichtig vor und arbeiten Sie mit gesundem Menschenverstand. Vermeiden Sie Situationen, denen Sie sich nicht gewachsen fühlen. Wenn Sie sich nach dem Lesen dieser Anweisungen immer noch unsicher fühlen, wie Sie vorgehen sollen, bitten Sie einen Fachmann um Rat, bevor Sie fortfahren. Zögern Sie nicht, uns oder Ihren Händler anzusprechen, wenn Sie Fragen bezüglich des Gebrauchs des Bohrgeräts haben. Wir sind gerne für Sie da und helfen Ihnen beim optimalen und sicheren Einsatz Ihres Bohrgeräts.

Zögern Sie nicht, Ihren Händler anzusprechen, wenn Sie Fragen bezüglich des Gebrauchs des Geräts haben. Wir sind gerne für Sie da und helfen Ihnen beim optimalen und sicheren Einsatz Ihres Geräts.

Ihr Husqvarna-Händler sollte das Bohrgerät regelmäßig überprüfen und notwendige Einstellungen und Reparaturen vornehmen.

Husqvarna arbeitet ständig an der Weiterentwicklung der Geräte. Husqvarna behält sich daher das Recht

vor, ohne vorherige Ankündigung und ohne weitere Verpflichtungen Konstruktionsänderungen einzuführen.

Alle Informationen und Daten dieser Betriebsanleitung gelten zum Zeitpunkt der Drucklegung.

Sicherheitshinweise für den Betrieb



WARNUNG: Lesen Sie alle für dieses Elektrowerkzeug vorgesehenen Sicherheitshinweise, Anleitungen, Abbildungen und technischen Daten. Wenn Sie die unten stehenden Anweisungen nicht befolgen, kann dies zu elektrischen Schlägen, Brand und/oder schweren Verletzungen führen. Bewahren Sie alle Warnhinweise und Anweisungen für spätere Referenzzwecke auf.



WARNUNG: Es besteht immer Verletzungsgefahr bei der Arbeit mit Geräten, die bewegliche Teile enthalten. Verhindern Sie Verletzungen, indem Sie Schutzhandschuhe tragen.

- Benutzen Sie eine persönliche Schutzausrüstung. Tragen Sie stets einen Augenschutz. Schutzausrüstung wie Atemschutzmaske, rutschfeste Sicherheitsschuhe, Schutzhelm und Gehörschutz senkt bei angemessenem Einsatz das Verletzungsrisiko.
- Sorgen Sie bei der Arbeit mit Elektrowerkzeugen dafür, dass sich keine Kinder oder unbefugte Personen in der Nähe befinden. Durch Ablenkungen können Sie die Kontrolle über das Werkzeug verlieren.
- Entfernen Sie alle unerwünschten Materialien aus dem Arbeitsbereich, und sorgen Sie für eine gute Beleuchtung, bevor Sie mit der Arbeit beginnen. Ist der Arbeitsbereich nicht gereinigt und nicht ausreichend beleuchtet, steigt das Unfallrisiko.
- Betreiben Sie Elektrowerkzeuge niemals an Orten, an denen Explosionsgefahr besteht, z. B. in der Nähe von entzündlichen Flüssigkeiten, Gasen oder Staubansammlungen. Elektrowerkzeuge können Funkenbildung verursachen und somit Staub oder Dämpfe entzünden.
- Plötzliches Auftreten von Personen und Tieren kann dazu führen, dass Sie die Kontrolle über das Gerät verlieren. Aus diesem Grund sollten Sie immer konzentriert und fokussiert arbeiten.
- Verwenden Sie das Gerät nicht bei Nebel, Regen, starkem Wind, starker Kälte oder sonstigen Schlechtwetterbedingungen. Bei schlechtem Wetter könnten sich gefährliche Bedingungen (z. B. rutschige Bodenflächen) einstellen.
- Prüfen Sie den Arbeitsbereich vor dem Gebrauch des Geräts. Achten Sie auf Hindernisse, über die Sie plötzlich stolpern und sich dadurch verletzen könnten. Stellen Sie sicher, dass sich während des Betriebs keine Bestandteile des Materials lösen und herunterfallen bzw. Verletzungen verursachen können.
- Überprüfen Sie immer die Rückseite der Oberfläche, wo das Bohrbit durch die Oberfläche dringt. Sichern Sie Ihren Arbeitsbereich, indem Sie ihn kennzeichnen. Stellen Sie sicher, dass es zu keinen Verletzungen von Personen kommt und dass kein Material beschädigt wird.
- Bleiben Sie aufmerksam, achten Sie auf das, was Sie tun, und setzen Sie gesunden Menschenverstand ein, wenn Sie mit Elektrowerkzeugen arbeiten. Benutzen Sie keine Elektrowerkzeuge, wenn Sie müde sind oder unter Einfluss von Drogen, Alkohol oder Medikamenten stehen. Bei der Arbeit mit Elektrowerkzeugen können bereits kurze Phasen der Unaufmerksamkeit zu schweren Verletzungen führen.
- Vermeiden Sie ein versehentliches Starten. Achten Sie darauf, dass sich der Schalter in der AUS-Stellung befindet, bevor Sie das Elektrowerkzeug an die Stromversorgung und/oder den Akku anschließen oder es hochheben oder herumtragen. Durch Herumtragen von Elektrowerkzeugen mit dem Finger am Schalter und das Einstecken des Steckers bei betätigtem Schalter erhöht sich das Unfallrisiko.
- Das Gerät kann Objekte umherschleudern und dadurch Verletzungen des Bedieners hervorrufen. Entfernen Sie alle Einstell- und sonstigen Schlüssel, bevor Sie das Gerät einschalten.
- Wenn Anschlüsse für Staubabsaug- und Staubsammelvorrichtungen vorhanden sind, sorgen Sie dafür, dass diese richtig angeschlossen und eingesetzt werden. Die Verwendung von Staubsammelvorrichtungen kann durch Staub verursachte Gefahren mindern.
- Lassen Sie nicht zu, dass Sie wegen Vertrautheit durch häufige Verwendung der Werkzeuge selbstgefällig werden und die Sicherheitsgrundsätze der Werkzeuge ignorieren. Eine achtlose Handlung kann im Bruchteil einer Sekunde zu schweren Verletzungen führen.
- Stellen Sie sicher, dass alle Personen, die das Gerät bedienen, die Betriebsanleitung gelesen und deren Inhalt verstanden haben.
- Kleiden Sie sich richtig. Tragen Sie niemals lose sitzende Kleidung oder Schmuck. Halten Sie Haar und Kleidung von beweglichen Teilen fern. Locker sitzende Kleidung, Schmuck oder langes Haar kann von beweglichen Teilen erfasst werden.
- Gefährliche Unfälle können passieren, wenn der Betonbohrkern im Bohrbit bleibt und der Bohrmotor vom Boden oder von der Wand gezogen wird.
- Halten Sie stets Abstand zum Bohrbit, wenn der Motor läuft.
- Stellen Sie außerdem sicher, dass sich keine Versorgungsleitungen im Bohrbereich befinden.
- Entfernen Sie sich nicht vom Gerät, wenn der Motor eingeschaltet ist.

- Arbeiten Sie nicht über die normale Reichweite hinaus. Achten Sie jederzeit darauf, sicher zu stehen und das Gleichgewicht zu bewahren. Dadurch haben Sie das Elektrowerkzeug in unerwarteten Situationen besser im Griff.
- Trennen Sie das Gerät bei längeren Arbeitsunterbrechungen immer von der Steckdose.
- Stellen Sie sicher, dass immer eine weitere Person in der Nähe ist, wenn Sie das Gerät verwenden. So können Sie bei einem Unfall gegebenenfalls Hilfe erhalten.
- Benutzen Sie kein Gerät mit defekter Sicherheitsausrüstung.
- Führen Sie alle Sicherheitskontrollen, Wartungen und Servicemaßnahmen durch, die in dieser Betriebsanleitung angegeben sind. Einige Wartungs- und Servicemaßnahmen dürfen nur von autorisierten Mitarbeitern durchgeführt werden. Siehe *Wartung auf Seite 34*
- Kontrollen und/oder Wartungsarbeiten sind bei abgeschaltetem Motor und von der Stromquelle abgezogenem Stecker durchzuführen.
- Überbeanspruchen Sie Elektrowerkzeuge nicht. Benutzen Sie das richtige Elektrowerkzeug für Ihren Einsatzzweck. Das richtige Elektrowerkzeug erledigt seine Arbeit bei bestimmungsgemäßem Einsatz besser und sicherer.
- Benutzen Sie das Gerät nicht, wenn es mit dem EIN-/AUS-Schalter nicht gestoppt oder gestartet werden kann. Wenn ein Gerät mit dem EIN/AUS-Schalter nicht gesteuert werden kann, ist es gefährlich und muss repariert werden.
- Verwenden Sie kein Gerät, das modifiziert wurde und nicht mehr den Werkspezifikationen entspricht.
- Trennen Sie das Elektrowerkzeug von der Stromversorgung bzw. entfernen Sie den Akku, bevor Sie Einstellungen vornehmen, Zubehörteile austauschen oder das Elektrowerkzeug verstauen. Solche präventiven Sicherheitsmaßnahmen verhindern den unbeabsichtigten Start des Elektrowerkzeugs.
- Lagern Sie nicht benutzte Elektrowerkzeuge außerhalb der Reichweite von Kindern, und lassen Sie nicht zu, dass Personen das Elektrowerkzeug bedienen, die nicht mit dem Werkzeug selbst und/oder diesen Anweisungen vertraut sind. Elektrowerkzeuge stellen in ungeschulten Händen eine Gefahr dar.
- Benutzen Sie Elektrowerkzeuge, Zubehör, Werkzeugspitzen und Ähnliches in Übereinstimmung mit diesen Anweisungen und auf die für das jeweilige Elektrowerkzeug bestimmungsgemäße Weise, und beachten Sie dabei die jeweiligen Arbeitsbedingungen und die Art der auszuführenden Arbeiten. Der Einsatz eines Elektrowerkzeugs für bestimmungswidrige Zwecke kann zu Gefahrensituationen führen.
- Halten Sie die Griffe und Oberflächen trocken, sauber und frei von Öl und Fett. Rutschige Griffe und Oberflächen verhindern das sichere Arbeiten

mit dem und die Kontrolle über das Werkzeug in unerwarteten Situationen.

- Vermeiden Sie eine Überlastung des Geräts. Bei Überlastung kann das Gerät beschädigt werden.
- Halten Sie Werkzeuge für einen sichereren Betrieb scharf und sauber.
- Halten Sie alle Teile in einwandfreiem Zustand, und stellen Sie sicher, dass alle Befestigungen korrekt festgezogen sind.

Allgemeine Sicherheitshinweise für Elektrowerkzeuge



WARNUNG: Lesen Sie alle für dieses Elektrowerkzeug vorgesehenen Sicherheitshinweise, Anleitungen, Abbildungen und technischen Daten. Wenn Sie die unten stehenden Anweisungen nicht befolgen, kann dies zu elektrischen Schlägen, Brand und/oder schweren Verletzungen führen.

- **Bewahren Sie alle Warnhinweise und Anweisungen für spätere Referenzzwecke auf.** Der Begriff „Elektrowerkzeug“ in den Warnhinweisen bezieht sich auf ein Elektrowerkzeug mit Netzbetrieb (über ein Kabel) oder mit Akkubetrieb (kabellos).

Persönliche Schutzausrüstung



WARNUNG: Lesen Sie die folgenden Warnhinweise, bevor Sie das Gerät benutzen.

- Verwenden Sie immer geeignete persönliche Schutzausrüstung bei der Benutzung des Geräts. Das Tragen persönlicher Schutzausrüstung schließt das Risiko von Verletzungen nicht aus. Das Tragen persönlicher Schutzausrüstung verringert das Ausmaß der Verletzungen bei einem Unfall. Lassen Sie sich von Ihrem Händler bei der Auswahl der richtigen Ausrüstung unterstützen.
- Tragen Sie einen zugelassenen Augenschutz beim Arbeiten mit dem Gerät.
- Tragen Sie strapazierfähige, rutschfeste Stiefel mit Stahlkappen.
- Tragen Sie Kleidung, die eng anliegt, Sie aber nicht in Ihren Bewegungen behindert.
- Überprüfen Sie regelmäßig den Zustand der persönlichen Schutzausrüstung.
- Tragen Sie zugelassene Schutzhandschuhe.
- Tragen Sie Schutzhandschuhe aus Gummi, um Hautreizungen von feuchtem Beton zu verhindern.
- Verwenden Sie einen zugelassenen Schutzhelm.
- Tragen Sie stets einen zugelassenen Gehörschutz beim Arbeiten mit dem Gerät. Lärmbelastung über einen längeren Zeitraum kann zu lärmbedingten Hörschäden führen.

- Das Gerät verursacht Staubbildung und Dämpfe, die schlecht für Ihre Gesundheit sind. Tragen Sie einen zugelassenen Atemschutz.
- Vergewissern Sie sich, dass Sie einen Erste-Hilfe-Kasten griffbereit haben.
- Beim Arbeiten mit dem Gerät können Funken entstehen. Sorgen Sie dafür, dass Sie einen Feuerlöscher griffbereit haben.
- Tragen Sie keine lose sitzende Kleidung, Schmuck oder andere Gegenstände, die sich in beweglichen Teilen verfangen können. Binden Sie Ihre Haare sicherheitshalber zusammen, sodass sie nicht über Ihre Schulter fallen.

Sicherheit im Arbeitsbereich

- **Sorgen Sie für einen sauberen und gut ausgeleuchteten Arbeitsbereich.** Durch zugestellte oder dunkle Arbeitsbereiche steigt die Unfallgefahr stark an.
- **Betreiben Sie Elektrowerkzeuge niemals an Orten, an denen Explosionsgefahr besteht, z. B. in der Nähe von leicht entzündlichen Flüssigkeiten, Gasen oder Staubansammlungen.** Bei der Arbeit mit Elektrowerkzeugen kann es zu Funkenbildung kommen, wodurch sich Staub oder Dämpfe entzünden können.
- **Sorgen Sie bei der Arbeit mit Elektrowerkzeugen dafür, dass sich keine Kinder oder unbefugte Personen in der Nähe befinden.** Durch Ablenkungen können Sie die Kontrolle über das Werkzeug verlieren.

Elektrische Sicherheit



WARNUNG: Bei elektrisch angetriebenen Geräten besteht immer die Gefahr von elektrischen Schlägen. Verwenden Sie das Gerät nicht bei schlechtem Wetter. Vermeiden Sie, dass Ihr Körper Blitzableiter oder Metallgegenstände berührt. Befolgen Sie unbedingt die Anweisungen in der Betriebsanleitung, um Schäden zu verhindern.



WARNUNG: Reinigen Sie das Gerät nicht mit Wasser. Wasser kann in das elektrische System oder den Motor eindringen und so Schäden am Gerät oder einen Kurzschluss auslösen.

- Die Netzstecker von Elektrowerkzeugen müssen zur Steckdose passen. Der Netzstecker darf in keiner Weise verändert werden. Verwenden Sie bei Elektrowerkzeugen mit Schutzkontakt (geerdet) niemals Adapterstecker. Nicht modifizierte Stecker und Steckdosen reduzieren das Risiko eines Elektroschocks.
- Vermeiden Sie Körperkontakt mit geerdeten Gegenständen wie Rohrleitungen, Heizungen,

Herden oder Kühlschränken. Bei Körperkontakt mit geerdeten Gegenständen besteht ein erhöhtes Stromschlagrisiko.

- Falls der Einsatz eines Elektrowerkzeugs in einer feuchten Umgebung nicht zu vermeiden ist, benutzen Sie eine Stromversorgung mit FI-Schutzschalter (RCD). Die Verwendung eines FI-Schutzschalters verringert das Risiko eines Stromschlags.
- Schließen Sie das Gerät nur an ordnungsgemäß geerdete Steckdosen an.
- Kontrollieren Sie, ob die Netzspannung und die Sicherungen mit den Angaben auf dem Gerätetypenschild übereinstimmt.
- Stellen Sie sicher, dass Strom- und Verlängerungskabel intakt und in gutem Zustand sind.
- Wenn Sie ein Elektrowerkzeug im Freien benutzen, verwenden Sie ein für den Außeneinsatz geeignetes Verlängerungskabel. Die Verwendung eines für den Außeneinsatz geeigneten Kabels verringert das Risiko eines Stromschlags.
- Benutzen Sie das Gerät keinesfalls, wenn das Kabel beschädigt ist. In diesem Fall muss es zur Reparatur an ein autorisiertes Service Center gegeben werden. Ein beschädigtes Kabel kann schwere Verletzungen und im schlimmsten Fall den Tod zur Folge haben.
- Stellen Sie sicher, dass das Verlängerungskabel ausgerollt ist, bevor Sie es verwenden, damit es nicht überhitzt.
- Verwenden Sie das Anschlusskabel nicht missbräuchlich. Verwenden Sie das Anschlusskabel niemals zum Tragen oder Heranziehen des Elektrowerkzeugs, und ziehen Sie den Stecker nicht am Anschlusskabel aus der Steckdose. Halten Sie das Kabel fern von Hitzequellen, Öl, scharfen Kanten und beweglichen Teilen. Beschädigte oder verdrehte Anschlusskabel erhöhen das Stromschlagrisiko.
- Setzen Sie Elektrowerkzeuge niemals Regen oder sonstiger Feuchtigkeit aus. Wenn Wasser in ein Elektrowerkzeug eindringt, erhöht sich das Stromschlagrisiko.
- Vergewissern Sie sich, dass das Netzkabel hinter Ihnen liegt, wenn Sie die Arbeit mit dem Gerät aufnehmen. Dadurch sollen Schäden am Kabel vermieden werden.

Elektrische Sicherheit

- **Die Netzstecker von Elektrowerkzeugen müssen zur Steckdose passen. Der Netzstecker darf in keiner Weise verändert werden. Verwenden Sie bei Elektrowerkzeugen mit Schutzkontakt (geerdet) niemals Adapterstecker.** Nicht modifizierte Stecker und Steckdosen reduzieren das Risiko eines Elektroschocks.
- **Vermeiden Sie Körperkontakt mit geerdeten Gegenständen wie Rohrleitungen, Heizungen, Herden oder Kühlschränken.** Bei Körperkontakt

mit geerdeten Gegenständen besteht ein erhöhtes Stromschlagrisiko.

- **Setzen Sie Elektrowerkzeuge niemals Regen oder sonstiger Feuchtigkeit aus.** Wenn Wasser in ein Elektrowerkzeug eindringt, erhöht sich das Stromschlagrisiko.
- **Verwenden Sie das Anschlusskabel nicht missbräuchlich. Verwenden Sie das Anschlusskabel niemals zum Tragen oder Heranziehen des Elektrowerkzeugs, und ziehen Sie den Stecker nicht am Anschlusskabel aus der Steckdose. Halten Sie das Kabel fern von Hitzequellen, Öl, scharfen Kanten und beweglichen Teilen.** Beschädigte oder verdrehte Anschlusskabel erhöhen das Stromschlagrisiko.
- **Wenn Sie ein Elektrowerkzeug im Freien benutzen, verwenden Sie ein für den Außeneinsatz geeignetes Verlängerungskabel.** Die Verwendung eines für den Außeneinsatz geeigneten Kabels verringert das Risiko eines Stromschlags.
- **Falls der Einsatz eines Elektrowerkzeugs in einer feuchten Umgebung nicht zu vermeiden ist, benutzen Sie eine Stromversorgung mit FI-Schutzschalter (RCD).** Die Verwendung einer Fehlerstrom-Schutzeinrichtung (RCD) verringert das Risiko eines elektrischen Schlags.

Persönliche Sicherheit

- **Blieben Sie aufmerksam, achten Sie auf das, was Sie tun, und setzen Sie gesunden Menschenverstand ein, wenn Sie mit Elektrowerkzeugen arbeiten. Benutzen Sie keine Elektrowerkzeuge, wenn Sie müde sind oder unter dem Einfluss von Drogen, Alkohol oder Medikamenten stehen.** Bei der Arbeit mit Elektrowerkzeugen können bereits kurze Phasen der Unaufmerksamkeit zu schweren Verletzungen führen.
- **Tragen Sie eine persönliche Schutzausrüstung. Tragen Sie stets einen Augenschutz.** Schutzausrüstung wie Atemschutzmaske, rutschsichere Sicherheitsschuhe, Schutzhelm und Gehörschutz senkt bei angemessenem Einsatz das Verletzungsrisiko.
- **Vermeiden Sie ein versehentliches Starten. Achten Sie darauf, dass sich der Schalter in der AUS-Stellung befindet, bevor Sie das Elektrowerkzeug an die Stromversorgung und/oder den Akku anschließen oder es hochheben oder herumtragen.** Durch Herumtragen von Elektrowerkzeugen mit dem Finger am Schalter und das Einstecken des Steckers bei betätigtem Schalter steigt das Unfallrisiko stark an.
- **Entfernen Sie sämtliche Einstellschlüssel, bevor Sie das Elektrowerkzeug einschalten.** Ein an einem beweglichen Teil des Elektrowerkzeugs angebrachter Schlüssel kann zu Verletzungen führen.
- **Sorgen Sie für einen festen Stand. Achten Sie jederzeit darauf, sicher zu stehen und das**

Gleichgewicht zu bewahren. Dadurch haben Sie das Elektrowerkzeug in unerwarteten Situationen besser im Griff.

- **Kleiden Sie sich richtig. Tragen Sie niemals lose sitzende Kleidung oder Schmuck. Halten Sie Haar und Kleidung von beweglichen Teilen fern.** Lose sitzende Kleidung, Schmuck oder langes Haar kann von beweglichen Teilen erfasst werden.
- **Wenn Anschlüsse für Staubabsaug- und Staubsammelvorrichtungen vorhanden sind, sorgen Sie dafür, dass diese richtig angeschlossen und eingesetzt werden.** Die Verwendung von Staubsammelvorrichtungen vermindert durch Staub verursachte Gefahren.
- **Auch wenn Sie durch häufige Verwendung bestens mit den Werkzeugen vertraut sind, dürfen Sie keinesfalls nachlässig werden und die Sicherheitsgrundsätze ignorieren.** Eine achtlose Handlung kann im Bruchteil einer Sekunde zu schweren Verletzungen führen.

Verwendung und Pflege von Elektrowerkzeugen

- **Überbeanspruchen Sie Elektrowerkzeuge nicht. Benutzen Sie das richtige Elektrowerkzeug für Ihren Einsatzzweck.** Das richtige Elektrowerkzeug erledigt seine Arbeit bei bestimmungsgemäßem Einsatz besser und sicherer.
- **Benutzen Sie das Elektrowerkzeug nicht, wenn es sich nicht am Schalter ein- und ausschalten lässt.** Jedes Elektrowerkzeug, das nicht mit dem Schalter betätigt werden kann, stellt eine Gefahr dar und muss repariert werden.
- **Trennen Sie das Elektrowerkzeug von der Stromversorgung, bzw. entfernen Sie den Akku, bevor Sie Einstellungen vornehmen, Zubehörteile austauschen oder das Elektrowerkzeug verstauen.** Solche präventiven Sicherheitsmaßnahmen verhindern den unbeabsichtigten Start des Elektrowerkzeugs.
- **Lagern Sie nicht benutzte Elektrowerkzeuge außerhalb der Reichweite von Kindern, und lassen Sie nicht zu, dass Personen das Elektrowerkzeug bedienen, die nicht mit dem Werkzeug selbst und/oder diesen Anweisungen vertraut sind.** Elektrowerkzeuge stellen in ungeschulten Händen eine Gefahr dar.
- **Warten Sie Elektrowerkzeuge und Zubehör. Prüfen Sie auf Fehlausrichtungen, sicheren Halt und Leichtgängigkeit beweglicher Teile, Beschädigungen von Teilen sowie auf jegliche andere Zustände, die sich auf den Betrieb des Elektrowerkzeugs auswirken können. Bei Beschädigungen lassen Sie das Elektrowerkzeug reparieren, bevor Sie es benutzen.** Viele Unfälle mit Elektrowerkzeugen sind auf schlechte Wartung zurückzuführen.
- **Halten Sie Schneidwerkzeuge scharf und sauber.** Ordnungsgemäß gewartete Schneidwerkzeuge mit scharfen Schneidkanten bleiben seltener hängen und sind einfacher zu bedienen.

- **Benutzen Sie Elektrowerkzeuge, Zubehör, Werkzeugeinsätze und Ähnliches in Übereinstimmung mit diesen Anweisungen und auf die für das jeweilige Elektrowerkzeug bestimmungsgemäße Weise, und beachten Sie dabei die jeweiligen Arbeitsbedingungen und die Art der auszuführenden Arbeiten.** Der Einsatz eines Elektrowerkzeugs für Zwecke, die von den hier angegebenen abweichen, kann zu Gefahrensituationen führen.
- **Halten Sie die Handgriffe und Griffflächen trocken, sauber und frei von Öl und Fett.** Wenn Handgriffe und Griffflächen rutschig sind, kann das Werkzeug in unerwarteten Situationen nicht sicher bedient und kontrolliert werden.

Service

- **Lassen Sie das Elektrowerkzeug von einem qualifizierten Fachmann reparieren, und bestehen Sie darauf, dass nur Originalersatzteile verwendet werden.** Auf diese Weise wird dafür gesorgt, dass die Sicherheit des Elektrowerkzeugs nicht beeinträchtigt wird.
- **Warten Sie niemals beschädigte Akkus.** Akkus dürfen nur vom Hersteller oder von autorisierten Serviceanbietern gewartet werden.

Sicherheitshinweise für Diamantbohrer

- **Leiten Sie bei Bohrarbeiten, bei denen Wasser erforderlich ist, das Wasser vom Arbeitsbereich des Bedieners weg, oder verwenden Sie ein Gerät zum Auffangen von Flüssigkeiten.** Durch solche Vorsichtsmaßnahmen bleibt der Arbeitsbereich des Bedieners trocken, und die Gefahr von elektrischen Schlägen wird verringert.
- **Halten Sie das Elektrowerkzeug an den isolierten Griffflächen fest, wenn Sie Arbeiten ausführen, bei denen das Schneidzubehör mit versteckten Kabeln oder dem eigenen Kabel in Berührung kommen kann.** Schneidzubehör, das mit einer stromführenden Leitung in Berührung kommt, kann freiliegende Metallteile des Elektrowerkzeugs unter Strom setzen und dem Bediener einen Stromschlag versetzen.
- **Tragen Sie beim Bohren mit Diamantwerkzeugen einen Gehörschutz.** Lärm kann zu Hörverlust führen.
- **Wenn das Bit klemmt, üben Sie keinen Druck mehr nach unten aus und schalten das Werkzeug aus.** Suchen Sie nach der Ursache für das Klemmen des Bits, und nehmen Sie entsprechende Korrekturmaßnahmen vor.
- **Stellen Sie beim erneuten Anschalten eines Diamantbohrers im Werkstück vor dem Start sicher, dass sich das Bit frei dreht.** Wenn das Bit klemmt, startet es möglicherweise nicht. Das kann das Werkzeug überlasten oder dazu führen, dass sich der Diamantbohrer aus dem Werkstück löst.
- **Wenn Sie den Bohrständer mit Verankerungen und Befestigungselementen am Werkstück befestigen, stellen Sie sicher, dass die verwendeten**

Verankerungen das Gerät halten und sichern können, während es läuft. Ist das Werkstück schwach oder porös, kann die Verankerung sich herauslösen, wodurch sich der Bohrständer vom Werkstück löst.

- **Stellen Sie beim Bohren durch Wände oder Decken sicher, dass Personen und Arbeitsbereiche auf der anderen Seite geschützt sind.** Das Bit kann durch das Loch hinausragen, oder der Kern kann auf der anderen Seite herausfallen.
- **Verwenden Sie beim Überkopfbohren stets das in den Anweisungen genannte Flüssigkeitsauffängergerät. Lassen Sie kein Wasser in das Werkzeug eindringen.** Wenn Wasser in das Elektrowerkzeug eindringt, erhöht sich das Risiko von elektrischen Schlägen.

Sicherheitsvorrichtungen am Gerät

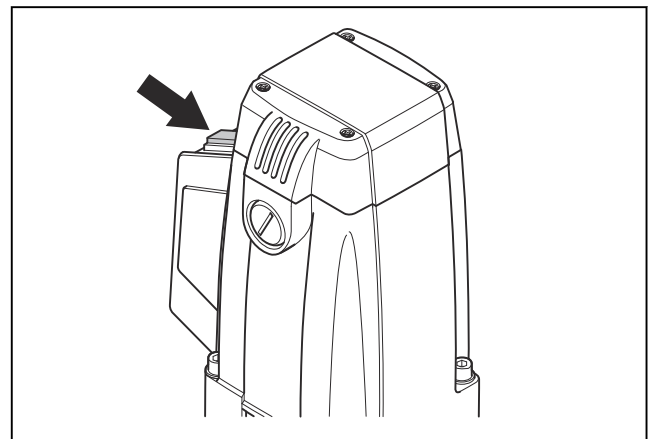


WARNUNG: Lesen Sie die folgenden Warnhinweise, bevor Sie das Gerät verwenden.

- Benutzen Sie kein Gerät mit defekten Sicherheitsvorrichtungen.
- Führen Sie regelmäßig eine Überprüfung der Sicherheitsvorrichtungen durch. Wenn die Sicherheitsvorrichtungen defekt sind, wenden Sie sich an Ihre Husqvarna-Servicewerkstatt.
- Führen Sie keine Änderungen an den Sicherheitsvorrichtungen durch.

Überprüfen des EIN-/AUS-Schalters

1. Stellen Sie sicher, dass der Motor sofort startet, wenn Sie den EIN-/AUS-Schalter auf EIN stellen.



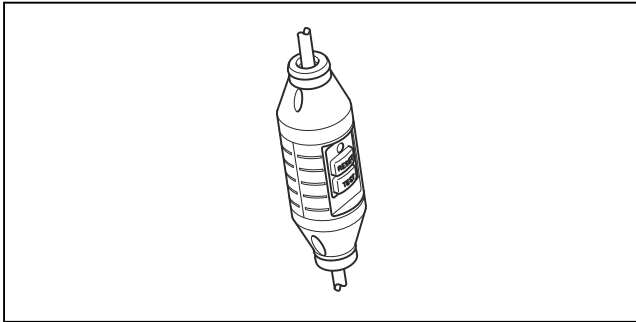
2. Stellen Sie sicher, dass der Motor sofort ausgeht, wenn Sie den Schalter auf AUS stellen.

Fehlerstromgerät

Hinweis: Nicht für Großbritannien und Irland, 110 V.

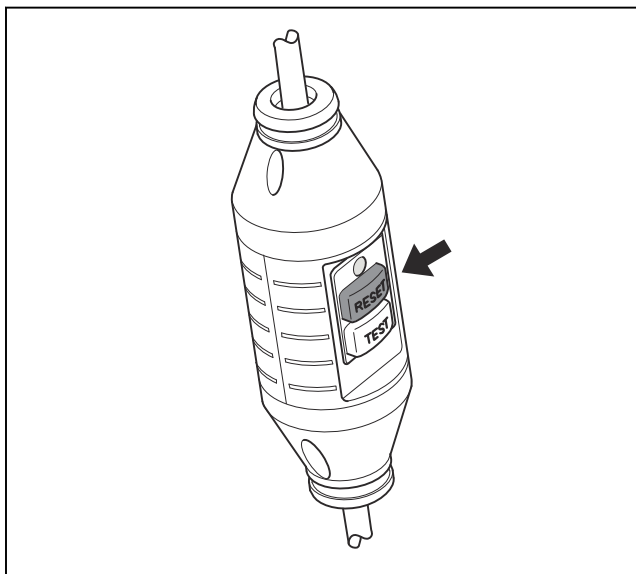
Fehlerstromschutzschalter dienen zum Schutz im Fall von elektrischen Fehlern.

Die LED zeigt an, dass der Fehlerstromschutzschalter eingeschaltet ist und dass das Gerät eingeschaltet werden kann. Wenn die LED nicht leuchtet, drücken Sie die RESET-Taste.



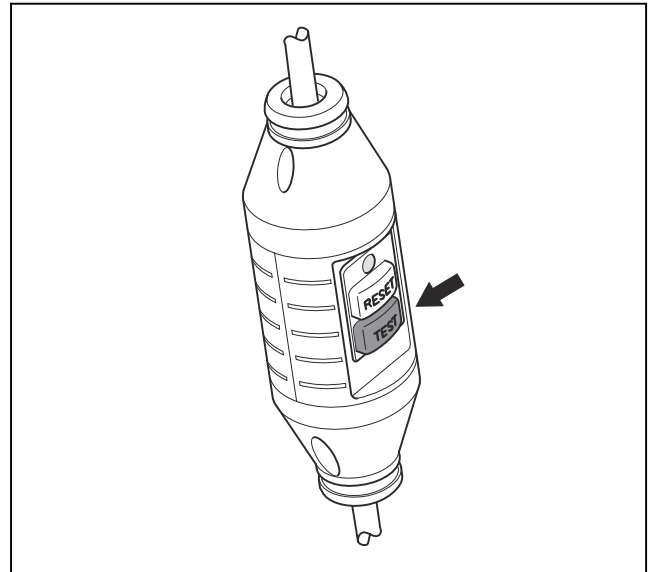
Überprüfen des Fehlerstromgeräts

1. Schließen Sie das Gerät an die Steckdose an. Drücken Sie die RESET-Taste. Dann leuchtet die rote LED auf.



2. Starten Sie das Gerät.

3. Drücken Sie auf die TEST-Taste.



4. Der Fehlerstromschutzschalter sollte auslösen, und das Gerät sollte sofort ausgeschaltet werden. Wenden Sie sich an Ihren Händler, wenn das Gerät dadurch nicht ausgeschaltet wird.
5. Setzen Sie es mit der RESET-Taste zurück.

Sicherheitshinweise für Diamantwerkzeuge

- Leiten Sie bei Bohrarbeiten, bei denen Wasser erforderlich ist, das Wasser vom Arbeitsbereich des Bedieners weg, oder verwenden Sie ein Gerät zum Sammeln von Flüssigkeiten. Durch solche Vorsichtsmaßnahmen bleibt der Arbeitsbereich des Bedieners trocken, und die Gefahr von elektrischen Schlägen wird verringert.
- Halten Sie das Elektrowerkzeug nur an isolierten Griffflächen, wenn Sie Arbeiten durchführen, bei denen das Schneidmesser mit versteckten Netzkabeln oder dem eigenen Kabel in Berührung kommen kann. Schneidmesser, die mit einem stromführenden Kabel in Kontakt kommen, können frei liegende Metallteile des Elektrowerkzeugs unter Strom setzen und dem Bediener einen elektrischen Schlag versetzen.
- Tragen Sie beim Bohren mit Diamantwerkzeugen Gehörschutz. Lärm kann zu Hörverlust führen.
- Wenn das Bit feststeckt, drücken Sie nicht mehr nach unten, und schalten Sie das Werkzeug aus. Suchen Sie nach der Ursache für das Feststecken des Bits, und nehmen Sie entsprechende Maßnahmen vor, um es zu korrigieren.
- Stellen Sie beim erneuten Anschalten eines Diamantbohrers im Werkstück vor dem Start sicher, dass sich das Bit frei dreht. Wenn das Bit feststeckt, startet es möglicherweise nicht. Das kann das Werkzeug überlasten oder dazu führen, dass sich der Diamantbohrer aus dem Werkstück löst.
- Wenn Sie den Bohrstand mit Verankerungen und Befestigungselementen am Werkstück befestigen, stellen Sie sicher, dass die verwendeten Verankerungen das Gerät halten und sichern

können, während es läuft. Ist das Werkstück schwach oder porös, kann die Verankerung sich herauslösen, wodurch sich der Bohrständler vom Werkstück löst.

- Stellen Sie beim Bohren durch Wände oder Decken sicher, dass Personen und Arbeitsbereiche auf der anderen Seite geschützt sind. Das Bit kann durch das Loch hinausragen, oder der Kern kann auf der anderen Seite herausfallen.
- Verwenden Sie dieses Werkzeug nicht zum Überkopf-Nassbohren. Wenn Wasser in das Elektrowerkzeug eindringt, erhöht sich das Risiko von elektrischen Schlägen.
- Verwenden Sie beim Überkopfbohren stets das in den Anweisungen genannte Flüssigkeitsauffanggerät. Lassen Sie kein Wasser in das Werkzeug eindringen. Wenn Wasser in das Elektrowerkzeug eindringt, erhöht sich das Risiko von elektrischen Schlägen.

Sicherheitshinweise für die Wartung



WARNUNG: Kontrollen und/oder Wartungsarbeiten sind bei abgeschaltetem

Motor und abgezogenem Stecker durchzuführen.

- Warten Sie Elektrowerkzeuge und Zubehör. Prüfen Sie, ob bewegliche Teile falsch eingestellt sind oder klemmen, ob Teile gebrochen oder so stark beschädigt sind, dass der sichere Betrieb des Elektrowerkzeugs beeinträchtigt werden kann. Bei Beschädigungen lassen Sie das Elektrowerkzeug reparieren, bevor Sie es benutzen. Viele Unfälle mit Elektrowerkzeugen sind auf schlechte Wartung zurückzuführen.
- Halten Sie Schneidwerkzeuge scharf und sauber. Ordnungsgemäß gewartete Schneidwerkzeuge mit scharfen Schneidkanten bleiben seltener hängen und sind einfacher zu bedienen.
- Lassen Sie das Elektrowerkzeug von einem qualifizierten Fachmann reparieren, und bestehen Sie darauf, dass nur Originalersatzteile verwendet werden. Auf diese Weise wird dafür gesorgt, dass die Sicherheit des Elektrowerkzeugs nicht beeinträchtigt wird.

Montage

Einleitung



WARNUNG: Lesen Sie vor der Montage des Geräts das Kapitel über Sicherheit, und machen Sie sich damit vertraut.

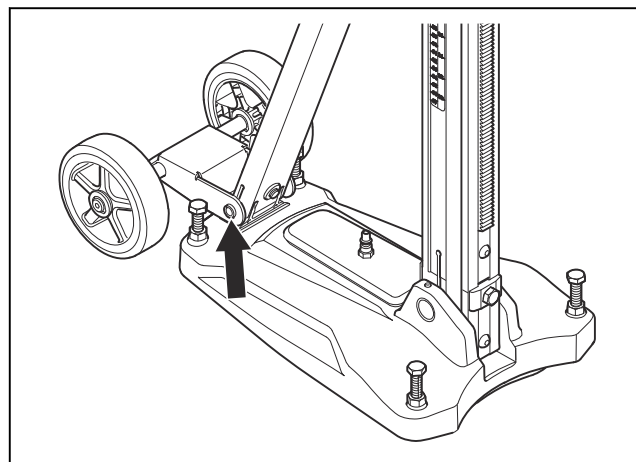


WARNUNG: Trennen Sie das Netzkabel, und entfernen Sie das Bohrbit vor der Montage, um Verletzungen zu vermeiden.

Anbringen des Rad-Sets

1. Befestigen Sie das Rad-Set auf der Rückseite der unteren Platte.

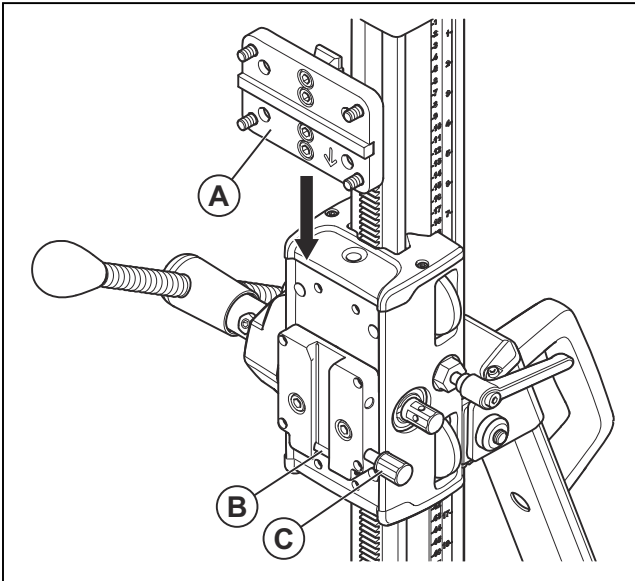
2. Ziehen Sie die Schrauben an.



Anbringen des Bohrmotors

1. Verriegeln Sie den Bohrmotorschlitten.
2. Befestigen Sie den Bohrmotor an der Installationsplatte (A).
3. Befestigen Sie die Installationsplatte und den Bohrmotor in der Führung (B) auf dem Bohrmotorschlitten.

4. Drehen Sie die Schraube (C), um den Bohrmotor mit der Sperre festzustellen.



Installation

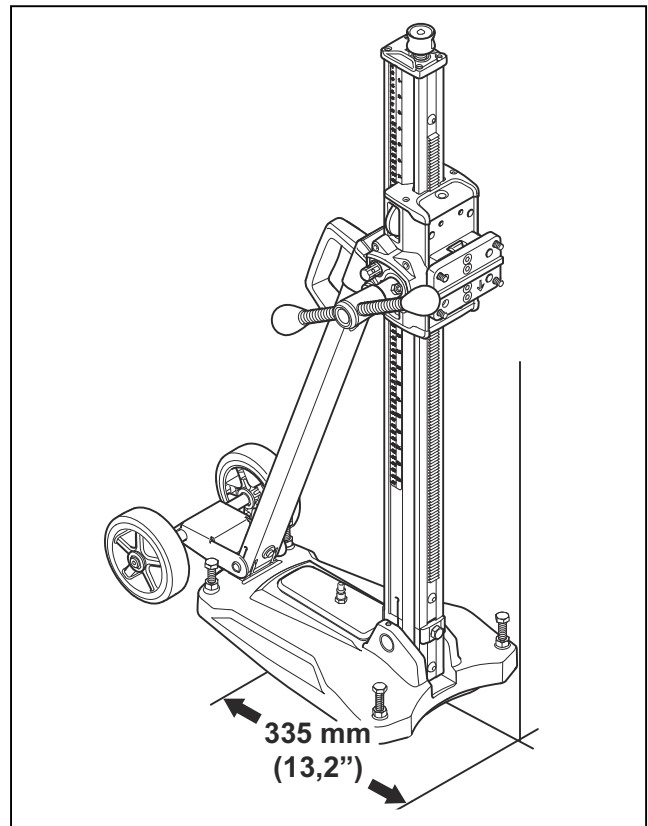
Bohrständerinstallation für Arbeiten

Es gibt 2 Verfahren zum Anbringen des Bohrständers für das Bohren:

- Mit einer Klemmspindel
- Mit einer Stange, die ein Gewinde, eine Unterlegscheibe und eine Sicherungsmutter hat

Befestigen des Bohrständers mit einer Klemmspindel

1. Bohren Sie ein Loch für die Klemmspindel. Messen Sie einen Abstand von 335 mm (13,2 Zoll) von der Mitte des Lochs, das Sie bohren wollen.



2. Befestigen Sie die untere Platte mit einer Klemmspindel.
3. Ziehen Sie die Klemmspindel vollständig an.

4. Stellen Sie ggf. die untere Platte passend ein. Verwenden Sie die Stellschrauben zum Einstellen der unteren Platte an die Oberfläche.

Befestigen des Bohrständers mit einer Stange mit Gewinde

1. Überprüfen Sie die Oberflächenqualität der Decke oder der Wände, um festzustellen, ob die Oberflächenqualität für Löcher darin ausreicht.

2. Wenn die Oberflächenqualität ausreichend ist, befestigen Sie die untere Platte mit einer Stange mit Gewinde.
3. Installieren Sie den Bohrständer mit einer Scheibe und einer Sicherungsmutter.

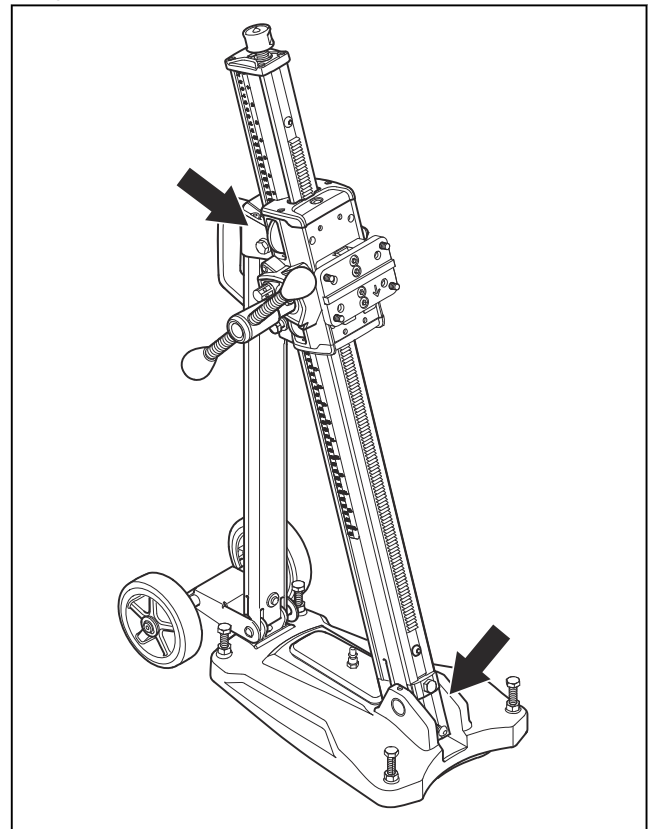
Betrieb

Bevor Sie das Produkt in Betrieb nehmen

1. Lesen Sie die Betriebsanleitung sorgfältig durch, und vergewissern Sie sich, dass Sie die Anweisungen verstehen.
2. Halten Sie den Arbeitsbereich sauber und hell, um Unfälle zu vermeiden.
3. Prüfen Sie täglich, ob sich das Gerät starten und stoppen lässt. Siehe *Überprüfen des EIN-/AUS-Schalters auf Seite 29*
4. Warten Sie das Gerät täglich. Siehe *Tägliche Wartung des Bohrmotors auf Seite 34*.
5. Stellen Sie sicher, dass das Gerät korrekt installiert ist. Das Bohrbit und der Bohrständer müssen korrekt befestigt sein. Verwenden Sie eine geeignete Methode, um das Gerät am Bohrständer zu befestigen.
6. Tragen Sie eine persönliche Schutzausrüstung. Siehe *Persönliche Schutzausrüstung auf Seite 26*.
7. Stellen Sie sicher, dass das Wassersystem nicht beschädigt ist und dass es an das Gerät angeschlossen ist.
8. Stellen Sie sicher, dass das Fehlerstromgerät aktiviert ist. Siehe *Fehlerstromgerät auf Seite 30* und *Überprüfen des Fehlerstromgeräts auf Seite 30*

Einstellen des Winkels der Bohrsäule

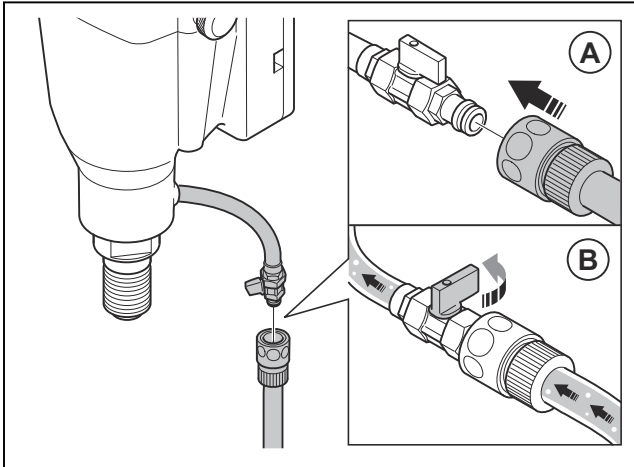
1. Lösen Sie die Schrauben, die die Bohrsäule feststellen, und stellen Sie die Säule auf den gewünschten Bohrwinkel ein.



2. Verwenden Sie den Winkelmesser für die Grobeinstellung. Wenn eine höhere Präzision erforderlich ist, verwenden Sie alternative Methoden zur Messung.
3. Ziehen Sie die Feststellschrauben der Bohrsäule an. Verwenden Sie den Zuführungshebel. Die Säule kann um 0–60° gekippt werden.

Anschluss an die Wasserversorgung

1. Verbinden Sie den Wasseranschluss mit der Wasserzufuhr (A).



2. Geben Sie den Wasserfluss durch das Wasserversorgungssystem (B) frei. Entnehmen Sie den maximalen Wasserdruck *Technische Daten – Bohrmotor auf Seite 38*.

Starten des Geräts



ACHTUNG: Wenden Sie nicht mehr Druck als notwendig an. Dadurch wird der Betrieb nur langsamer, und der Motor wird überlastet.



ACHTUNG: Verwenden Sie bei Bewehrung einen besonders geringen Druck. Bei hohem Druck gegen

Bewehrungen wird das Fehlerstromgerät ausgelöst.

1. Starten Sie das Wasserversorgungssystem.
2. Drücken Sie den Schalter vollständig.
3. Warten Sie, bis die maximale Motordrehzahl erreicht ist, bevor Sie das Bohrbit auf das Werkstück berühren lassen.
4. Drücken Sie das Bohrbit mit dem Zuführungshebel auf das Werkstück.
5. Drücken Sie zunächst sehr schwach. Dadurch bleibt das Bohrbit in der richtigen Stellung. Fahren Sie dann wie gewohnt fort.
6. Wenn das Fehlerstromgerät ausgelöst wird, entfernen Sie das Bohrbit aus dem Werkstück, bevor Sie es zurücksetzen.

Stoppen des Geräts



WARNUNG: Nach Ausschalten des Motors dreht sich das Bohrbit noch eine Zeit lang weiter. Halten Sie das Bohrbit nicht mit den Händen an. Dies könnte zu Verletzungen führen.

1. Drücken Sie auf den Ein-/Ausschalter, um das Gerät auszuschalten.
2. Warten Sie, bis das Bohrbit vollständig zum Stillstand gekommen ist.

So senken Sie die Motortemperatur

- Lassen Sie das Gerät 2 Minuten lang ohne Last laufen, um die Motortemperatur zu senken.

Wartung

Einleitung



WARNUNG: Lesen Sie vor dem Warten des Geräts das Kapitel über Sicherheit, und machen Sie sich damit vertraut.



WARNUNG: Um Verletzungen zu vermeiden, trennen Sie das Netzkabel ab, bevor Sie Wartungsarbeiten durchführen.

Tägliche Wartung des Bohrmotors

- Vergewissern Sie sich, dass alle Muttern und Schrauben fest angezogen sind.
- Stellen Sie sicher, dass die Ein-/Ausschalteinheit ordnungsgemäß funktioniert.
- Reinigen Sie die Außenseite des Bohrmotors.
- Stellen Sie sicher, dass die Kaltlufteinlässe sauber sind.

- Stellen Sie sicher, dass das Stromkabel und das Verlängerungskabel sich in einem guten Zustand befinden und nicht beschädigt sind.

Tägliche Wartung des Bohrständers

- Vergewissern Sie sich, dass alle Muttern und Schrauben fest angezogen sind.
- Reinigen Sie die Außenseite des Bohrständers.
- Stellen Sie sicher, dass sich der Vorschubhebel ohne Widerstand bewegen lässt.
- Prüfen Sie, ob die Getriebe leicht und geräuschfrei funktionieren.
- Untersuchen Sie die Bohrsäule auf Verschleiß oder Beschädigungen.
- Achten Sie dabei darauf, dass sich der Schlitten des Bohrmotors leicht bewegen lässt und dass er kein Spiel gegen die Bohrsäule hat.

Reinigen des Bohrmotors



WARNUNG: Reinigen Sie den Bohrmotor nicht mit Wasser. Wasser kann Kurzschlüsse im Bohrmotor auslösen oder ihn beschädigen.

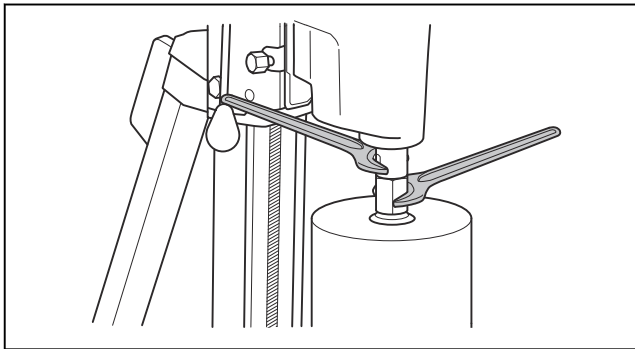
- Reinigen Sie das Bohrbit und den Bohrmotor mit Druckluft.
- Stellen Sie sicher, dass die Kaltlufteinlässe nicht verschmutzt oder blockiert sind.

Ersetzen des Bohrbits



WARNUNG: Ziehen Sie den Stecker aus der Steckdose, bevor Sie das Bohrbit ersetzen.

1. Stellen Sie sicher, dass Sie ein neues Bohrbit, 2 Schraubenschlüssel und wasserfestes Schmierfett zur Hand haben.
2. Entfernen Sie das Bohrbit mit den Schraubenschlüsseln.



3. Tragen Sie wasserfestes Schmierfett auf das Gewinde des neuen Bohrbits auf.
4. Bringen Sie das Bohrbit mit den Schraubenschlüsseln an.

Kupplung

Wenn das übertragene Drehmoment gesenkt wird, muss die Kupplung nachgestellt werden. Lassen Sie die Kupplung von einem autorisierten Service Center nachstellen.

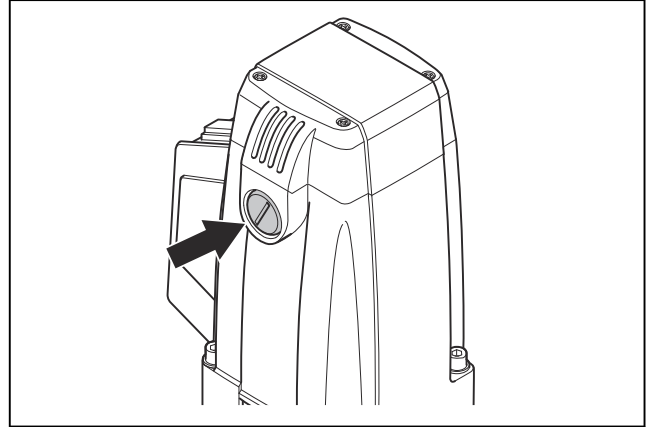
Ersetzen der Kohlebürsten

Entfernen und prüfen Sie die Kohlebürsten wöchentlich, falls der Bohrmotor täglich verwendet wird. Tun Sie dies seltener, falls der Bohrmotor nicht häufig verwendet wird. Der Verschleißbereich muss bei beiden Kohlebürsten gleich sein und darf nicht beschädigt sein.



ACHTUNG: Sie müssen die 2 Kohlebürsten gleichzeitig ersetzen.

1. Entfernen Sie die Abdeckung für die Kohlebürsten mit einem breiten Flachschaubenzieher.



2. Entfernen Sie die Kohlebürsten vorsichtig. Tauschen Sie die Kohlebürsten aus, wenn weniger als 6 mm von den Bürsten verbleiben.
3. Installieren Sie neue Kohlebürsten.
4. Bringen Sie die Abdeckung für die Kohlebürsten an.
5. Den Bohrmotor 10 Minuten lang im Leerlauf laufen lassen, damit die neuen Kohlebürsten anlaufen können.

Reinigung und Schmieren des Bohrständers



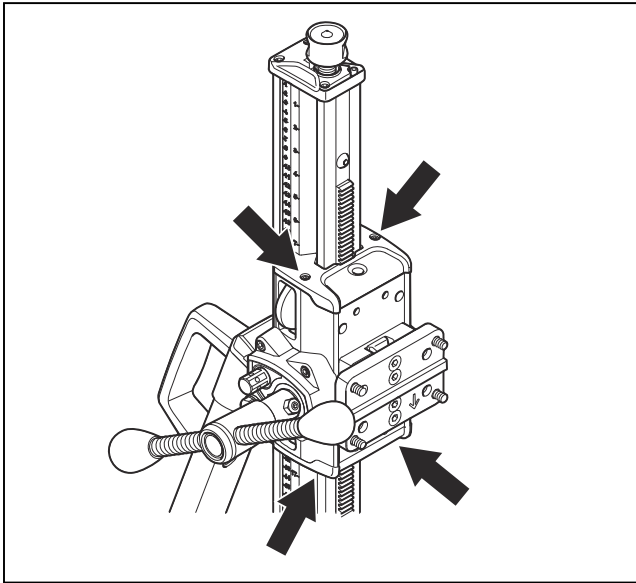
ACHTUNG: Wird der Bohrständer nicht gereinigt, kann dies zu Beschädigungen führen.

1. Entfernen Sie den Bohrmotor.
2. Reinigen Sie den Bohrständer mit einem Hochdruckreiniger und entfernen Sie dann verbleibendes Wasser mit einem trockenen Tuch.
3. Schmieren Sie die beweglichen Teile auf dem Bohrständer. Fetten Sie die Kontaktflächen ein, um Korrosion zu verhindern.

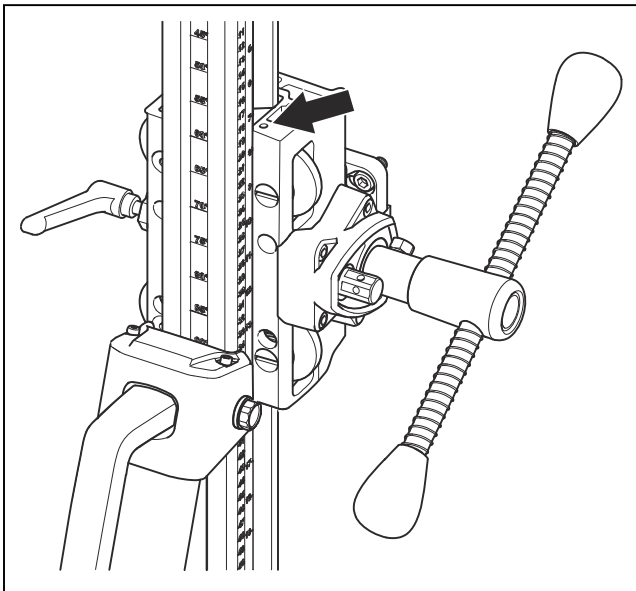
Einstellen des Bohrmotorschlittens

Befindet sich ein Abstand zwischen der Bohrsäule und dem Bohrmotorschlitten, muss der Schlitten angepasst werden.

1. Entfernen Sie die Kunststoffabdeckungen von der Ober- und Unterseite des Bohrmotorschlittens.

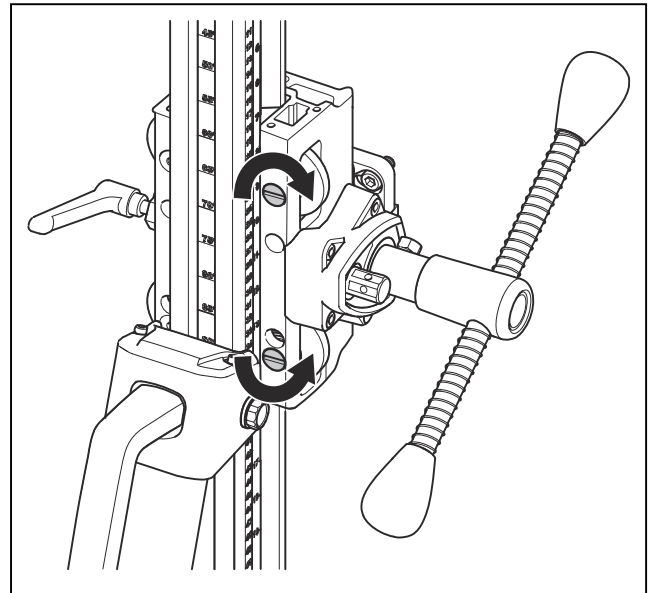


2. Entfernen Sie die Befestigungsstellschrauben der Rollenwellen.

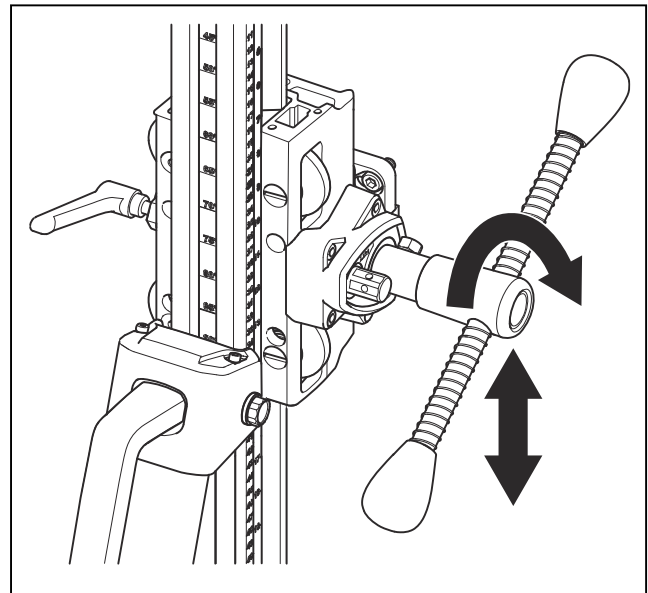


3. Beginnen Sie mit der oberen Rollenwelle. Verwenden Sie einen flachen Schraubenzieher, und drehen Sie diesen im Uhrzeigersinn, um die Rollenwelle näher an die Bohrsäule zu bewegen.
4. Ziehen Sie dann die Stellschraube an, um die Rollenwelle zu verriegeln.

5. Stellen Sie die untere Rollenwelle ein, und drehen Sie die Schraube gegen den Uhrzeigersinn, um die Rollenwelle näher an die Bohrsäule zu bewegen.



6. Ziehen Sie dann die Stellschraube an, um die Rollenwelle zu verriegeln.
7. Prüfen Sie mithilfe des Zuführungshebels, ob sich der Bohrmotorschlitten reibungslos auf der Säule bewegt. Ist dies nicht der Fall, passen Sie die Rollenwellen erneut an.



8. Montieren Sie die Kunststoffabdeckungen an der Ober- und Unterseite des Bohrmotorschlittens.

Fehlerbehebung

Problemlösung

Wenn Sie in dieser Betriebsanleitung keine Lösung für Ihre Probleme finden können, wenden Sie sich an Ihre Husqvarna-Servicewerkstatt.

Störung	Schritte, die sofort ausgeführt werden können	Mögliche Ursache	Lösung
Das Gerät ist ungewöhnlich langsam.	Prüfen Sie das Bohrbit.	Das Bohrbit ist abgenutzt.	Ersetzen Sie das Bohrbit.
		Das Bohrbit ist mit Partikeln verstopft.	Reinigen Sie das Bohrbit mit einer Drahtbürste, und erhöhen Sie den Wasserdruck.
		Das Diamant-Bohrbit ist abgerundet.	Verwenden Sie ein Bohrbit mit weicherer Bindung. Erhöhen Sie den Druck auf den Zuführungshebel.
	Prüfen Sie, ob das Abwasser Metallstaub enthält.	Der Bohrmotor durchschneidet eine Bewehrung.	Bewegen Sie den Zuführungshebel leicht, damit das Fehlerstromgerät nicht ausgelöst wird.
Das Bohrbit ist blockiert.	Halten Sie den Bohrmotor an.	Zwischen Kern und Bohrbit ist ein Stein oder eine Stahlleiste eingeklemmt.	Drehen Sie das Bohrbit mit einem Schraubenschlüssel im Uhrzeigersinn, während Sie den Zuführungshebel nach außen ziehen, damit das Bohrbit sich löst. Wenn Sie es gegen den Uhrzeigersinn drehen, könnte sich das Bohrbit vom Rohr lösen.
		Die untere Platte bewegt sich während des Betriebs.	Setzen Sie die untere Platte zurück, und ziehen Sie sie sicher an.
		Die Klammer hat zu viel Spiel.	Passen Sie das Klammerspiel richtig an.
		Der Außendurchmesser des Bits entspricht dem des Rohrs.	Ersetzen Sie das Bohrbit.
Das Rohr ist abgenutzt.		Die Klammer hat zu viel Spiel.	Passen Sie das Klammerspiel richtig an.
		Das Bohrbit, das Rohr oder die untere Platte ist lose.	Ziehen Sie sie sicher an.
		Das Bohrbit ist beschädigt.	Ersetzen Sie das Bohrbit.
		Partikel lösen sich nicht richtig.	Erhöhen Sie den Wasserdruck und die Wassermenge.

Transport und Lagerung

Transport und Lagerung

- Bewahren Sie das Gerät in einem verschlossenen Bereich auf, um einen unerlaubten Zugriff durch Kinder oder andere nicht befugte Personen zu verhindern.
- Bewahren Sie das Gerät in einem trockenen und frostfreien Bereich auf.
- Entfernen Sie das Bohrbit vor dem Transportieren oder Einlagern des Geräts. Dadurch können Schäden am Gerät und an den Bohrbits vermieden werden.
- Sichern Sie das Gerät während des Transports, um Schäden und Unfälle zu vermeiden.

Technische Daten

Technische Daten – Bohrmotor

	DMS 240
Motor	
Elektromotor	Einphasig
Nennspannung, V	230/100–120
Nennleistung, W	2400
Nennstrom, A	
230 V	10
100–120 V	20
Gewicht	
kg/lbs	5,9/13
Spindeldrehzahl, Leerlauf, U/min	
Position 1	390
Position 2	890
Bohrbit	
Max. Bohrdurchmesser, mm/Zoll	250/10
Spindelgewinde, innen	G ½" außen 5/8" 11 UNC
Spindelgewinde, außen	1 1/4" 7 UNC
Maximaler Wasserdruck, bar	8
Wasseranschluss	G 1/4"
Geräuschemissionen	
Gemessener Schallleistungspegel dB (A)	106
Schallleistungspegel, garantiert L _{WA} dB (A)	107
Lautstärke	
Schalldruckpegel am Ohr des Bedieners, dB (A)	90
Vibrationswerte	
Griff, m/s ²	< 2

Technische Daten – Bohrständer

Höhe, mm/Zoll	1052/41,4
Breite, mm/Zoll	266/10,5

Tiefe, mm/Zoll	545/21,5
Gewicht, kg/lbs	14,5/32
Verfahrweg, mm/Zoll	686/27
Bohrsäulen-Winkel	0–60°

Service

Anerkanntes Service-Zentrum

Um ein anerkanntes Husqvarna-Service-Zentrum in Ihrer Nähe zu finden, besuchen Sie die Website .

Konformitätserklärung

EU-Konformitätserklärung

Die **Husqvarna AB**, SE-561 82 Huskvarna, Schweden,
Tel.: +46-36-146500, erklärt in alleiniger Verantwortung,
dass das Gerät:

Beschreibung	Bohrgerät
Marke	Husqvarna
Typ/Modell	DMS 240
Identifizierung	Seriennummern ab 2022

die folgenden EU-Richtlinien und -Verordnungen erfüllt:

Richtlinie/Verordnung	Beschreibung
2006/42/EC	„Maschinenrichtlinie“
2014/30/EU	„über elektromagnetische Verträglichkeit“
2011/65/EU	„zur Beschränkung der Verwendung bestimmter gefährlicher Stoffe“

und dass die folgenden harmonisierten Normen und/
oder technischen Daten angewendet werden;

EN ISO 12100:2010

EN 62841-3-6:2014

EN 55014-1:2006+A1:2009+A2:2011

EN 55014-2:1997+A1:2001+A2:2008

EN 61000-3-2:2014

EN 61000-3-3:2013

EN IEC 63000:2018

Partille, 2022-12-02



Fredrik Sandinge

Global R&D Director

Concrete Surfaces & Floors

Husqvarna AB, Construction Division

Sommaire

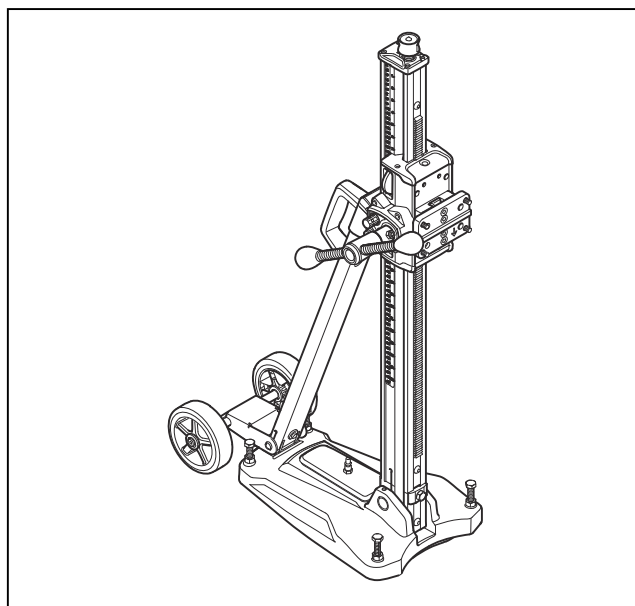
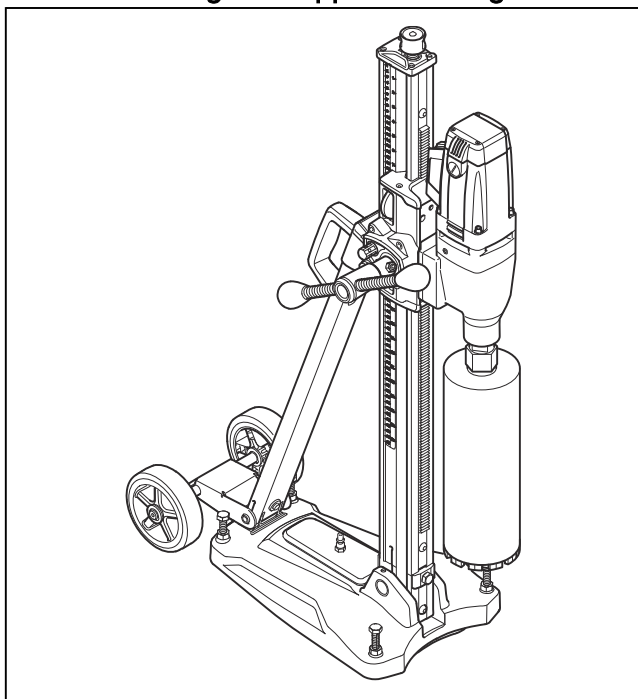
Introduction.....	41	Dépannage.....	56
Sécurité.....	44	Transport et stockage.....	57
Montage.....	51	Caractéristiques techniques.....	58
Installation.....	51	Entretien.....	59
Utilisation.....	52	Déclaration de conformité.....	60
Entretien.....	54		

Introduction

Description du produit

Le produit est une foreuse électrique destinée au forage le béton, la brique et divers autres matériaux à base de pierre. Il s'utilise avec un support de forage.

Moteur de forage et support de forage

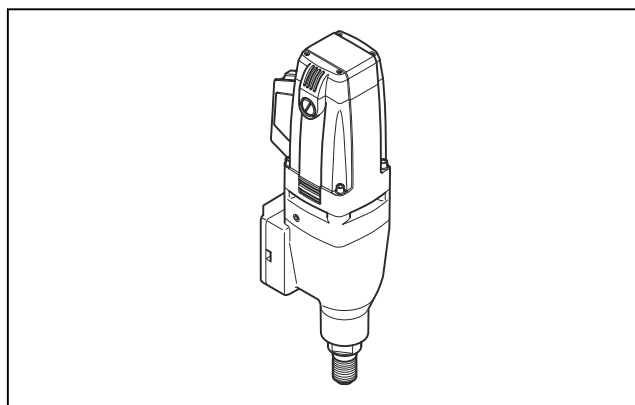


Moteur de forage

- Le produit dispose de 2 engrenages.
- Le produit a une double isolation.
- Le produit est doté d'une protection contre la surcharge qui coupe l'alimentation en cas de blocage du foret.
- Le système d'eau permet de faire baisser la température du produit.

Support de forage

- Le support de forage est utilisé pour percer des trous dans les murs et les sols.
- Le support de forage est doté d'une plaque d'installation qui permet de fixer le moteur de forage facilement.
- La plaque inférieure est en aluminium.
- Le kit de roues peut être retiré.
- La colonne de forage peut être inclinée de 0 à 60°.
- La transmission du boîtier de levier d'alimentation est réglable. Position la plus élevée : 2,5:1 ; position la plus basse : 1:1.
- Le levier d'alimentation permet d'ajuster les vis de mise à niveau de la plaque inférieure et de régler la colonne de forage sur l'angle souhaité.

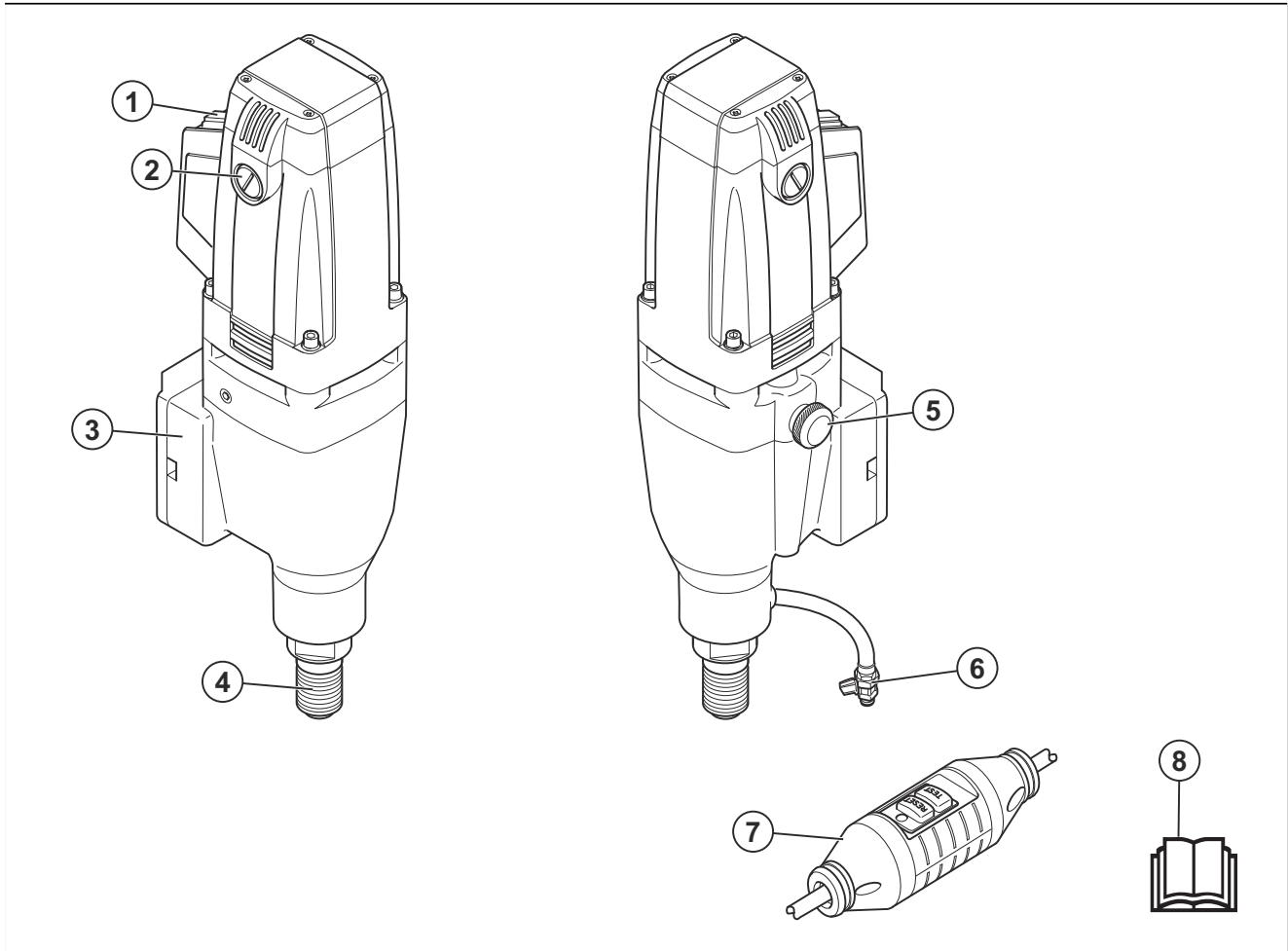


Utilisation prévue

Ce produit est utilisé pour percer le béton, la brique et divers autres matériaux à base de pierre. Il n'est destiné à aucune autre utilisation.

Le produit est utilisé dans des applications industrielles par des opérateurs expérimentés.

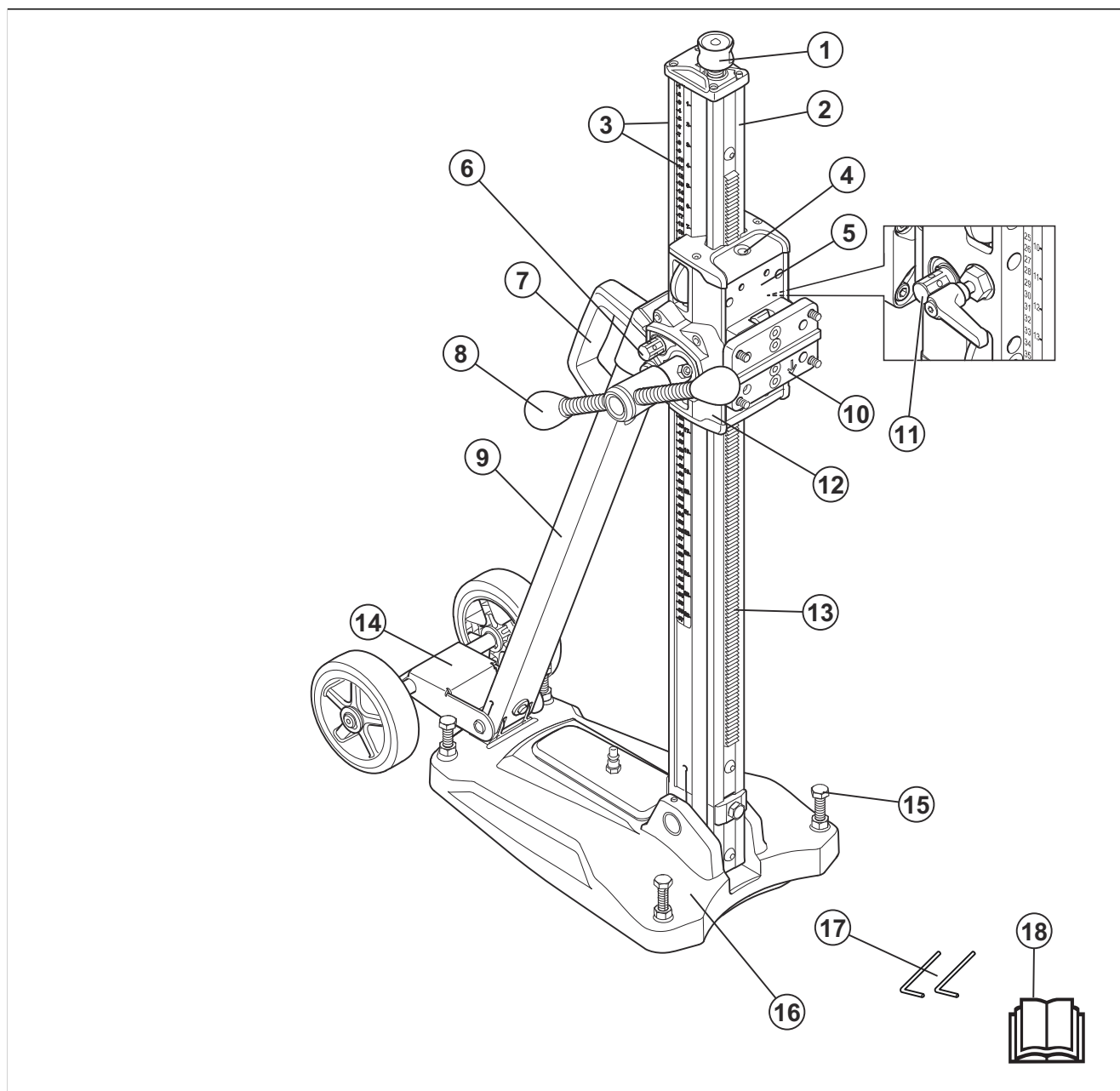
Présentation du produit – moteur de forage



1. Interrupteur
2. Capot de balai de charbon
3. Point d'installation pour le support de forage
4. Broche de forage

5. Sélecteur de vitesse
6. Raccord de l'eau
7. Disjoncteur différentiel de fuite à la terre
8. Manuel de l'opérateur

Présentation du produit – support de forage



1. Vis de calage
2. Colonne de forage
3. Échelle de profondeur et d'angle
4. Indicateur d'angle
5. Chariot du moteur de forage
6. Vis qui bloque l'angle de la colonne de forage
7. Poignée
8. Levier d'alimentation
9. Support arrière
10. Plaque d'installation
11. Blocage du chariot du moteur de forage
12. Boîte de vitesses
13. Crémaillère
14. Ensemble de roues qui peut être retiré

15. Vis de mise à niveau
16. Plaque inférieure
17. Clé hexagonale, 3 mm et 4 mm
18. Manuel de l'opérateur

Symboles concernant le produit



AVERTISSEMENT : Soyez prudent et utilisez le produit correctement. Ce produit peut causer des blessures graves, voire mortelles, à l'opérateur ou à d'autres personnes.



Lisez avec attention le manuel d'utilisation et assurez-vous de bien comprendre les instructions avant d'utiliser ce produit.



Portez toujours des protège-oreilles, des protections pour les yeux et une protection respiratoire.



Ce produit est conforme aux directives CE en vigueur.



Mise à la terre de protection.

Remarque: les autres symboles/autocollants présents sur le produit concernent des exigences de certification spécifiques à certains marchés.

Responsabilité

Conformément à la loi sur la responsabilité du fait des produits, nous déclinons toute responsabilité pour tout dommage causé par notre produit si :

- le produit n'est pas correctement réparé ;
- le produit est réparé avec des pièces qui ne proviennent pas du fabricant ou qui ne sont pas homologuées par le fabricant ;
- le produit est équipé d'un accessoire qui ne provient pas du fabricant ou qui n'est pas homologué par le fabricant ;
- le produit n'est pas réparé par un centre d'entretien agréé ou par une autorité homologuée.

Sécurité

Définitions de sécurité

Des avertissements, des recommandations et des remarques sont utilisés pour souligner des parties spécialement importantes du manuel.



AVERTISSEMENT: Symbole utilisé en cas de risque de blessures ou de mort pour l'opérateur ou les personnes à proximité si les instructions du manuel ne sont pas respectées.



REMARQUE: Symbole utilisé en cas de risque de dommages pour le produit, d'autres matériaux ou les environs si les instructions du manuel ne sont pas respectées.

Remarque: Symbole utilisé pour donner des informations supplémentaires pour une situation donnée.

Faites toujours preuve de bon sens



AVERTISSEMENT: vous ne devez en aucun cas modifier la conception d'origine de la machine sans l'approbation du fabricant. Utilisez toujours les pièces de rechange d'origine. Les modifications et/ou accessoires non autorisés peuvent entraîner des blessures graves, voire mortelles

à l'utilisateur ou aux autres personnes présentes.



AVERTISSEMENT: l'utilisation de produits tels que les fraises, les ponceuses ou les foreuses pour poncer ou découper un matériau peut produire de la poussière et des vapeurs susceptibles de contenir des substances chimiques dangereuses. Vérifiez la nature du matériau que vous souhaitez travailler et utilisez un masque respiratoire approprié.

Il est impossible de prévoir toutes les situations que vous pouvez rencontrer lorsque vous utilisez une foreuse. Soyez toujours prudent et utilisez votre bon sens. Évitez les situations que vous n'êtes pas sûr de maîtriser. Si, après avoir lu ces instructions, vous n'êtes toujours pas sûr de la procédure à suivre, demandez conseil à un expert avant de poursuivre. N'hésitez pas à prendre contact avec votre revendeur ou avec nous si vous avez des questions sur l'utilisation de la foreuse. Nous sommes à votre disposition et vous conseillerons avec plaisir pour vous aider à utiliser votre foreuse en toute sécurité et de façon efficace.

N'hésitez pas à prendre contact avec votre revendeur si vous avez des questions sur l'utilisation de la machine. Nous sommes à votre disposition et vous conseillerons avec plaisir pour vous aider à utiliser votre machine en toute sécurité et de façon efficace.

Laissez à votre revendeur Husqvarna le soin de contrôler régulièrement la foreuse et d'effectuer les réglages et les réparations nécessaires.

Husqvarna travaille continuellement au développement de ses produits. Husqvarna se réserve le droit d'en modifier la conception et l'aspect sans préavis et sans autres engagements.

Toutes les informations et toutes les données indiquées dans ce manuel d'utilisation étaient valables à la date à laquelle ce manuel a été porté à l'impression.

Instructions de sécurité pour le fonctionnement



AVERTISSEMENT: Lisez l'ensemble des avertissements de sécurité, des consignes, des illustrations et des spécifications fournies avec cet outil électrique. Le non-respect des consignes énumérées ci-dessous peut être à l'origine d'un choc électrique, d'un incendie et/ou de blessures graves. Conservez toutes ces consignes et instructions pour toute consultation ultérieure.



AVERTISSEMENT: Il y a toujours un risque de blessures en cas d'utilisation de produits comprenant des pièces mobiles. Portez des gants de protection afin d'éviter les blessures corporelles.

- Utilisez un équipement de protection personnelle. Travaillez toujours avec des lunettes de protection. Les équipements de protection tels que le masque anti-poussière, les chaussures de sécurité antidérapantes, le casque ou les protège-oreilles utilisés dans les conditions qui conviennent réduisent les blessures corporelles.
- Tenez les enfants et les spectateurs à distance lorsque la machine à usiner est en marche. Un moment d'inattention peut vous faire perdre le contrôle.
- Retirez tous les matériaux indésirables de la zone de travail et veillez à ce que celle-ci soit correctement éclairée avant de commencer. Si les zones ne sont pas nettoyées ou éclairées, les risques d'accident augmentent.
- N'utilisez pas de machines électriques dans des atmosphères explosives contenant des liquides, des gaz ou des poussières inflammables par exemple. Les outils électriques peuvent provoquer des étincelles susceptibles d'enflammer les poussières ou les vapeurs.
- L'apparition soudaine de personnes et d'animaux risque d'affecter votre contrôle du produit. En conséquence, veillez à rester toujours concentré sur votre tâche et à ne pas vous laisser distraire.
- N'utilisez pas le produit par mauvais temps, par exemple en cas de brouillard, pluie, vents violents, froid intense ou autres conditions climatiques équivalentes. Le mauvais temps peut créer des conditions de travail dangereuses, telles que des surfaces glissantes.
- Examinez la zone de travail avant d'utiliser le produit. Soyez attentif à la présence d'obstacles susceptibles de se déplacer de manière inopinée et d'être source de danger. Assurez-vous qu'aucun matériau ne peut se détacher et tomber ou provoquer des blessures pendant l'utilisation.
- Examinez toujours l'arrière de la surface que doit traverser le foret. Sécurisez la zone de travail et placez un repère pour la matérialiser. Assurez-vous que personne ne risque d'être blessé et que le matériel ne risque pas d'être endommagé.
- Restez attentif, regardez ce que vous faites et ayez recours à votre bon sens lorsque vous utilisez un outil électrique. N'utilisez pas de machine à usiner si vous êtes fatigué ou si vous êtes sous l'emprise de drogues, de l'alcool ou de médicaments. Un moment d'inattention pendant l'utilisation des machines à usiner peut entraîner des blessures corporelles graves.
- Évitez tout démarrage intempestif. Vérifiez que l'interrupteur est en position d'arrêt avant de brancher l'outil sur l'alimentation et/ou la batterie, de le ramasser ou de le transporter. Le fait de garder le doigt sur l'interrupteur pendant le transport des outils ou le branchement des machines alors que l'interrupteur est en position ON expose à des accidents.
- Le produit peut entraîner la projection d'objets, ce qui peut blesser l'opérateur. Retirez la clé et la clavette de calage avant de démarrer le produit.
- Si des dispositifs sont fournis pour raccorder des systèmes de collecte et d'extraction de la poussière, vérifiez qu'ils sont correctement branchés et utilisés. L'utilisation de systèmes de collecte de poussière peut diminuer les risques associés à la poussière.
- La connaissance des outils, acquise par l'usage fréquent de ces derniers, ne doit pas vous dispenser d'être prudent et d'appliquer les principes de sécurité. Une action inconsidérée peut provoquer de graves blessures en une fraction de seconde.
- Assurez-vous que tous les opérateurs qui utilisent le produit ont lu et compris le contenu du manuel d'utilisation.
- Habillez-vous correctement. Ne portez jamais de vêtements amples ou de bijoux. Éloignez vos cheveux et vos vêtements des pièces mobiles. Les vêtements amples, les bijoux et les cheveux longs peuvent rester coincés dans les pièces mobiles.
- Des accidents dangereux peuvent se produire si le noyau en béton reste dans le foret lorsque vous retirez le moteur de forage du sol ou du mur.
- Tenez-vous à distance du foret lorsque le moteur tourne.

- Assurez-vous qu'aucun tuyau ou câble électrique ne passe par la zone dans laquelle le trou doit être percé.
- Ne vous éloignez pas du produit lorsque le moteur est allumé.
- Ne vous éloignez pas trop. Restez toujours en équilibre et sur vos appuis. Cela favorise le contrôle de la machine à usiner dans les situations inattendues.
- Débranchez toujours le produit de la prise lors de pauses prolongées.
- Assurez-vous qu'il y a toujours une personne supplémentaire à proximité lorsque vous utilisez le produit. En cas d'accident, vous pourrez obtenir de l'aide si nécessaire.
- N'utilisez pas un produit dont les dispositifs de sécurité sont défectueux.
- Effectuez les contrôles de sécurité, de maintenance et d'entretien indiqués dans ce manuel. Certaines procédures de maintenance et d'entretien doivent uniquement être effectuées par des agents d'entretien agréés. Reportez-vous à *Entretien à la page 54*
- Les contrôles et/ou les opérations de maintenance doivent être effectués avec le moteur à l'arrêt et la fiche débranchée de la prise électrique.
- Ne forcez pas sur la machine à usiner. Utilisez la machine à usiner qui convient à l'application. La machine qui convient réalisera mieux son travail et de façon plus sûre, à la vitesse pour laquelle elle a été conçue.
- N'utilisez pas le produit si l'interrupteur MARCHE/ARRÊT ne permet pas d'arrêter ou de démarrer le produit. Si un produit ne peut pas être contrôlé avec l'interrupteur MARCHE/ARRÊT, il présente un danger et doit être réparé.
- N'utilisez pas un produit dont les spécifications d'usine ont été modifiées.
- Débranchez la fiche de la prise et/ou retirez le bloc d'alimentation, si celui-ci est amovible, avant de procéder aux réglages, de changer les accessoires ou de stocker un outil électrique. Ces mesures de sécurité préventive réduisent le risque de mise sous tension accidentelle de la machine à usiner.
- Rangez les machines à usiner hors de la portée des enfants et ne pas laisser des personnes qui ne connaissent pas la machine ou ces consignes utiliser l'appareil. Les machines à usiner sont dangereuses si elles sont entre les mains d'utilisateurs non formés.
- Utiliser la machine à usiner, les accessoires, les grains, etc. en suivant ces consignes et en tenant compte des conditions de travail et de la tâche à réaliser. Il est dangereux d'utiliser l'outil électrique pour tout autre usage que celui prévu
- Les poignées et les surfaces de maintien doivent toujours être propres, sèches et sans traces d'huile ni de graisse. Les poignées et surfaces de maintien glissantes ne sont pas autorisées.

- Ne surchargez pas le produit. En cas de surcharge du produit, celui-ci peut être endommagé.
- Veillez à ce que les outils soient aiguisés et propres afin de garantir la sécurité des opérations.
- Assurez-vous que toutes les pièces sont en bon état et que toutes les fixations sont correctement serrées.

Consignes générales de sécurité relatives à l'outil à moteur



AVERTISSEMENT: Lisez l'ensemble des avertissements de sécurité, des consignes, des illustrations et des spécifications fournies avec cet outil électrique. Le non-respect des consignes énumérées ci-dessous peut être à l'origine d'un choc électrique, d'un incendie et/ou de blessures graves.

- **Conservez toutes ces consignes et instructions pour toute consultation ultérieure.** Le terme « outil électrique » utilisé dans les avertissements fait référence à l'outil branché sur secteur (fil) ou à l'outil alimenté par batterie (sans fil).

Équipement de protection individuel



AVERTISSEMENT: Lisez les instructions qui suivent avant d'utiliser le produit.

- Utilisez toujours un équipement de protection individuel approprié lorsque vous faites fonctionner le produit. L'équipement de protection individuel n'empêche pas le risque de blessures. L'équipement de protection individuel diminue la gravité des blessures en cas d'accident. Faites appel à votre revendeur pour vous aider à sélectionner l'équipement adéquat.
- Utilisez des protections pour les yeux homologuées pendant que vous utilisez le produit.
- Utilisez des bottes antidérapantes robustes avec coquilles en acier.
- Portez des vêtements près du corps qui n'entravent toutefois pas vos mouvements.
- Vérifiez régulièrement l'état de votre équipement de protection individuel.
- Utilisez des gants de protection robustes homologués.
- Utilisez des gants de protection en caoutchouc afin d'éviter toute irritation de la peau due au béton humide.
- Utilisez un casque de protection homologué.
- Utilisez toujours des protecteurs d'oreille homologués pendant l'utilisation du produit. Une exposition au bruit sur de longues périodes peut provoquer une perte d'audition.

- Le produit génère de la poussière et des fumées nocives pour la santé. Portez une protection respiratoire homologuée.
- Assurez-vous de disposer d'une trousse de premiers soins à proximité.
- Des étincelles peuvent se produire lorsque vous utilisez le produit. Assurez-vous de disposer d'un extincteur à proximité.
- Ne portez pas de vêtements amples, de bijoux ou d'autres objets pouvant s'accrocher dans les pièces mobiles. Attachez vos cheveux de façon sécurisée au-dessus de vos épaules.

Sécurité dans l'espace de travail

- **Maintenez un espace de travail propre et bien éclairé.** Les espaces encombrés ou sombres exposent à des accidents.
- **N'utilisez pas de machines à usiner dans des atmosphères explosives, en présence de liquides, de gaz ou de poussières inflammables par exemple.** Les machines à usiner provoquent des étincelles qui peuvent enflammer la poussière ou les vapeurs.
- **Tenez les enfants et les spectateurs à distance lorsque la machine à usiner est en marche.** Un moment d'inattention peut vous faire perdre le contrôle.

Sécurité électrique



AVERTISSEMENT: les produits électriques présentent toujours un risque de choc. N'utilisez pas le produit dans de mauvaises conditions météorologiques. Évitez de toucher des paratonnerres ou des objets métalliques. Suivez toujours les instructions du manuel de l'opérateur pour éviter tout dommage.



AVERTISSEMENT: Ne nettoyez pas le produit avec de l'eau. Celle-ci pourrait s'infiltrer dans le système électrique ou le moteur et endommager le produit ou provoquer un court-circuit.

- Les fiches des machines à usiner doivent être adaptées à la prise. N'apportez jamais de modifications à la fiche. Ne pas utiliser de fiches d'adaptation avec des machines mises à la terre. Des fiches non modifiées et des prises compatibles réduiront le risque de choc électrique.
- Éviter tout contact physique avec les surfaces mises à la terre telles que les tuyaux, les radiateurs, les cuisinières et les réfrigérateurs. Le risque d'électrocution est plus important si le corps est relié à la terre.
- Si vous n'avez d'autre choix que d'utiliser un outil électrique dans un endroit humide, utilisez une alimentation protégée par un dispositif de courant

résiduel (RCD). L'utilisation d'un RCD réduit le risque de choc électrique.

- Branchez le produit uniquement sur une prise mise correctement à la terre.
- Vérifiez si la tension secteur et les fusibles sont conformes aux indications sur la plaque signalétique de la machine.
- Assurez-vous que le cordon et la rallonge sont en bon état et fonctionnent correctement.
- Lorsqu'une machine à usiner est utilisée à l'extérieur, installez une rallonge adaptée à un usage extérieur. L'utilisation d'un cordon d'alimentation pour usage extérieur réduit le risque d'électrocution.
- N'utilisez pas le produit si le cordon est endommagé ; confiez-le à un atelier d'entretien agréé pour réparation. Un cordon endommagé peut occasionner des blessures graves et, dans le pire des cas, des blessures mortelles.
- Avant d'utiliser assurez-vous qu'elle est dépliée afin d'éviter toute surchauffe.
- Ne malmenez pas le cordon. N'utilisez jamais le cordon pour porter, tirer ou débrancher la machine. Maintenez le cordon d'alimentation à l'écart de la chaleur, de bords tranchants ou de pièces en mouvement. Les cordons endommagés ou emmêlés augmentent le risque d'électrocution.
- Ne pas exposer les outils électriques à la pluie ou à l'humidité. L'infiltration d'eau dans une machine à usiner augmente le risque d'électrocution.
- Assurez-vous que le cordon est derrière vous lorsque vous commencez à utiliser le produit. Cette précaution vise à éviter d'endommager le cordon.

Sécurité électrique

- **Les fiches des machines à usiner doivent être adaptées à la prise. N'apportez jamais de modifications à la fiche. Ne pas utiliser de fiches d'adaptation avec des machines mises à la terre.** Des fiches non modifiées et des prises compatibles réduisent le risque de choc électrique.
- **Évitez tout contact physique avec les surfaces mises à la terre telles que les tuyaux, les radiateurs, les cuisinières et les réfrigérateurs.** Le risque d'électrocution est plus important si le corps est relié à la terre.
- **Ne pas exposer les outils électriques à la pluie ou à l'humidité.** L'infiltration d'eau dans une machine à usiner augmente le risque d'électrocution.
- **Ne malmenez pas le cordon. N'utilisez jamais le cordon pour porter, tirer ou débrancher la machine. Maintenez le cordon d'alimentation à l'écart de la chaleur, de bords tranchants ou de pièces en mouvement.** Les fils endommagés ou emmêlés augmentent le risque de choc électrique.
- **Lorsque vous utilisez un outil électrique à l'extérieur, utilisez une rallonge électrique adaptée à l'usage extérieur.** L'utilisation d'un cordon d'alimentation pour usage extérieur réduit le risque d'électrocution.

- Si vous n'avez d'autre choix que d'utiliser un outil électrique dans un endroit humide, utilisez une alimentation protégée par un dispositif de courant résiduel (RCD). L'utilisation d'un RCD réduit le risque de choc électrique.

Sécurité du personnel

- Restez attentif, regardez ce que vous faites et ayez recours à votre bon sens lorsque vous utilisez un outil électrique. N'utilisez pas d'outil électrique si vous êtes fatigué ou si vous êtes sous l'emprise de drogues, d'alcool ou de médicaments. Un moment d'inattention pendant l'utilisation des machines à usiner peut entraîner des blessures corporelles graves.
- Utilisez un équipement de protection personnelle. Travaillez toujours avec des lunettes de protection. Les équipements de protection tels que le masque anti-poussière, les chaussures de sécurité antidérapantes, le casque ou le protège-oreilles utilisés dans des conditions appropriées réduisent les blessures corporelles.
- Évitez tout démarrage intempestif. Vérifiez que l'interrupteur est en position d'arrêt avant de brancher l'outil sur l'alimentation et/ou la batterie, de le ramasser ou de le transporter. Le fait de garder le doigt sur l'interrupteur pendant le transport des outils ou le branchement des machines alors que l'interrupteur est en position ON expose à des accidents.
- Retirez toute clé ou clavette de calage avant de mettre la machine à usiner sous tension. Une clé ou une clavette reliée à une pièce mobile de la machine à usiner peut entraîner des blessures corporelles.
- Ne vous éloignez pas trop. Restez toujours en équilibre et sur vos appuis. Cela favorise le contrôle de la machine à usiner dans les situations inattendues.
- Habillez-vous correctement. Ne portez jamais de vêtements amples ou de bijoux. Éloignez vos cheveux et vos vêtements des pièces mobiles. Les vêtements amples, les bijoux et les cheveux longs peuvent rester coincés dans les pièces mobiles.
- Si des dispositifs sont fournis pour raccorder des systèmes de collecte et d'extraction de la poussière, vérifiez qu'ils sont correctement branchés et utilisés. L'utilisation de systèmes de collecte de poussière peut réduire les risques associés à la poussière.
- La connaissance des outils, acquise par l'usage fréquent de ces derniers, ne doit pas vous dispenser d'être prudent et d'appliquer les principes de sécurité. Une action inconsidérée peut provoquer de graves blessures en une fraction de seconde.

Utilisation et entretien de la machine à usiner

- Ne forcez pas sur la machine à usiner. Utilisez la machine à usiner qui convient à l'application. La machine qui convient réalisera mieux son travail et de façon plus sûre, à la vitesse pour laquelle elle a été conçue.

- N'utilisez pas la machine à usiner si l'interrupteur ne permet pas la mise sous tension ou l'arrêt. Toute machine à usiner impossible à commander avec l'interrupteur est dangereuse et doit être réparée.
- Débranchez la fiche de l'alimentation et/ou retirez la batterie, si celle-ci est amovible, avant de procéder aux réglages, de changer les accessoires ou de stocker un outil électrique. Ces mesures de sécurité préventive réduisent le risque de mise sous tension accidentelle de la machine à usiner.
- Rangez les machines à usiner hors de la portée des enfants et ne pas laisser des personnes qui ne connaissent pas la machine ou ces consignes utiliser l'appareil. Les machines à usiner sont dangereuses si elles sont entre les mains d'utilisateurs non formés.
- Entretenez les accessoires et outils électriques. Vérifier le mauvais alignement ou la fixation des pièces mobiles, l'éventuelle rupture des pièces ou toute autre condition susceptible d'altérer le fonctionnement de la machine. Si elle est endommagée, la machine à usiner doit être réparée avant toute réutilisation. De nombreux accidents sont dus à des machines mal entretenues.
- Maintenez les outils tranchants aiguisés et propres. Des outils tranchants correctement entretenus avec des bords aiguisés sont moins susceptibles de se coincer et sont plus faciles à contrôler.
- Utilisez la machine à usiner, les accessoires, les grains, etc. en suivant ces consignes et en tenant compte des conditions de travail et de la tâche à réaliser. Il est dangereux d'utiliser l'outil électrique pour tout autre usage que celui prévu.
- Les poignées et les surfaces de maintien doivent toujours être propres, sèches et sans traces d'huile ni de graisse. Les poignées et les surfaces de maintien glissantes ne permettent pas une manipulation et un contrôle sûrs de l'outil dans des situations inattendues.

Entretien

- Confiez l'entretien de votre outil électrique à un mécanicien qualifié qui utilisera uniquement des pièces de rechange identiques. Cela permet de garantir la sécurité de la machine.
- Ne jamais entretenir des batteries endommagées. L'entretien des batteries doit être effectué uniquement par le fabricant ou des fournisseurs de services agréés.

Consignes de sécurité relatives au foret diamanté

- Si vous effectuez un forage qui nécessite l'utilisation d'eau, évacuez l'eau de la zone de travail de l'opérateur ou utilisez un dispositif collecteur de liquide. Ces mesures de précaution permettent de garder la zone de travail de l'opérateur sèche et de réduire le risque d'électrocution.
- Saisissez l'outil électrique par les surfaces de maintien isolées lors d'une opération où l'accessoire

de coupe risque d'entrer en contact avec du câblage dissimulé ou son propre cordon. Si l'accessoire de coupe entre en contact avec un câble sous tension, il risque de mettre sous tension les parties métalliques exposées de l'outil électrique, ce qui pourrait envoyer un choc électrique à l'opérateur.

- **Portez des protège-oreilles lorsque vous effectuez un forage au diamant.** L'exposition au bruit peut engendrer une perte auditive.
- **Lorsque le foret est coincé, cessez d'exercer une pression vers le bas et arrêtez l'outil.** Identifiez et corrigez la cause du coincement du foret.
- **Lorsque vous redémarrez un foret diamanté dans la pièce, vérifiez que le foret tourne librement avant de commencer.** Un foret coincé peut ne pas démarrer, peut surcharger l'outil ou provoquer le détachement du foret diamanté de la pièce.
- **Lorsque vous fixez le bâti de forage à la pièce avec des ancrages et attaches, assurez-vous que l'ancrage utilisé est capable de maintenir et de retenir la machine pendant son utilisation.** Si la pièce est peu solide ou poreuse, l'ancrage peut sortir de la pièce, provoquant ainsi le détachement du bâti de forage.
- **Dans le cas d'un forage dans les murs et plafonds, assurez-vous de protéger le personnel et la zone de travail se trouvant de l'autre côté.** Le foret peut dépasser du trou ou la carotte peut tomber de l'autre côté.
- **Lorsque vous effectuez un forage au plafond, utilisez toujours le dispositif collecteur de liquide spécifié dans les instructions. Ne laissez pas l'eau s'écouler dans l'outil.** L'infiltration d'eau dans un outil électrique augmente le risque d'électrocution.

Dispositifs de sécurité sur le produit

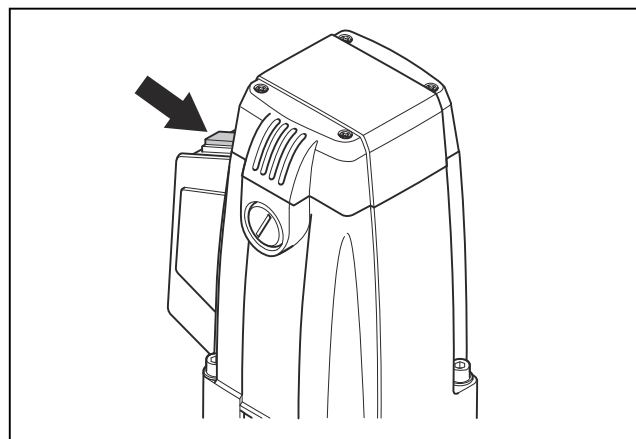


AVERTISSEMENT: Lisez les instructions qui suivent avant d'utiliser le produit.

- N'utilisez pas un produit avec des dispositifs de sécurité défectueux.
- Contrôlez les dispositifs de sécurité régulièrement. Si les dispositifs de sécurité sont défectueux, parlez-en à votre agent d'entretien Husqvarna.
- N'apportez pas de modifications aux dispositifs de sécurité.

Pour contrôler l'interrupteur marche/arrêt

1. Assurez-vous que le moteur démarre lorsque vous mettez l'interrupteur MARCHE/ARRÊT en position MARCHE.



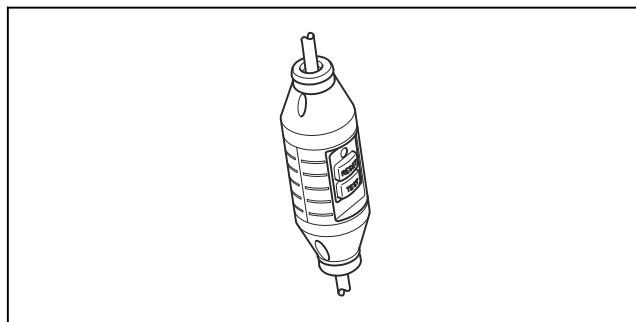
2. Assurez-vous que le moteur s'arrête immédiatement lorsque vous mettez l'interrupteur en position ARRÊT.

Disjoncteur différentiel de fuite à la terre

Remarque: Pas pour le Royaume-Uni et l'Irlande 110 V.

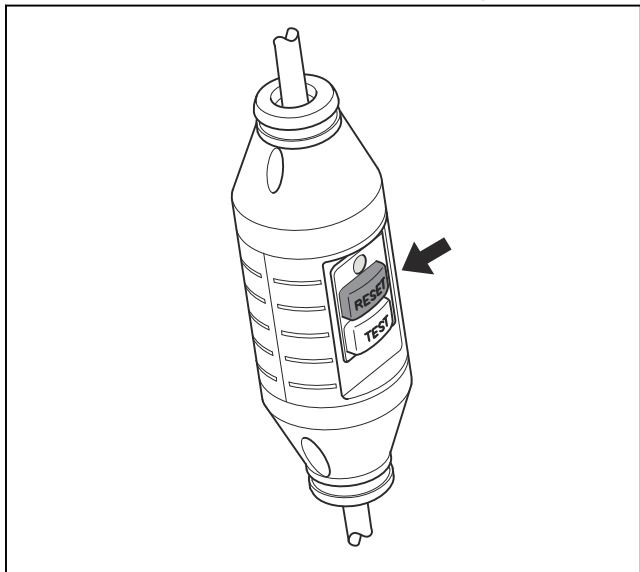
Les disjoncteurs de fuite à la terre servent de protection en cas de défaut électrique.

La LED indique que le disjoncteur de fuite à la terre est activé et que le produit peut être mis en marche. Si la LED n'est pas allumée, appuyez sur le bouton RÉINITIALISER.

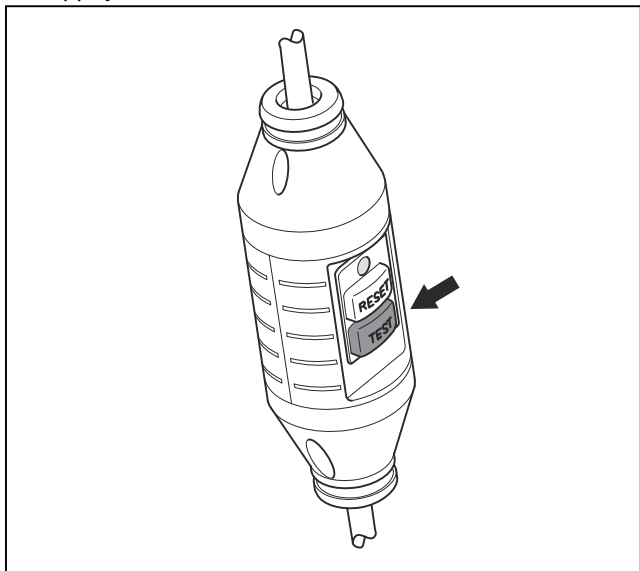


Inspection du disjoncteur différentiel

1. Connectez le produit à la prise secteur. Appuyez sur le bouton RÉINITIALISER ; la LED rouge s'allume.



2. Faites démarrer le produit.
3. Appuyez sur le bouton TEST.



4. Le disjoncteur de fuite à la terre doit se déclencher et le produit doit s'arrêter instantanément. Demandez de l'aide à votre revendeur si le produit ne s'arrête pas.
5. Réinitialisez le produit à l'aide du bouton RÉINITIALISER.

Consignes de sécurité relatives aux outils diamantés

- Si vous effectuez un forage qui nécessite l'utilisation d'eau, évacuez l'eau de la zone de travail de l'opérateur ou utilisez un dispositif collecteur de liquide. Ces mesures de précaution permettent de garder la zone de travail de l'opérateur sèche et de réduire le risque d'électrocution.

- Saisissez l'outil électrique par les surfaces de maintien isolées lors d'une opération où l'accessoire de coupe risque de rentrer en contact avec du câblage dissimulé ou son propre cordon. Si l'accessoire de coupe entre en contact avec un câble sous tension, il risque de mettre sous tension les parties métalliques exposées de l'outil électrique, ce qui pourrait électrocuter l'utilisateur.
- Portez des protège-oreilles lorsque vous effectuez un forage au diamant. L'exposition au bruit peut engendrer une perte auditive.
- Lorsque le foret est coincé, cessez d'exercer une pression vers le bas et arrêtez l'outil. Identifiez et corrigez la cause du coincement du foret.
- Lorsque vous redémarrez un foret au diamant dans la pièce, vérifiez que le foret tourne librement avant de commencer. Un foret coincé peut ne pas démarrer, peut surcharger l'outil ou provoquer le détachement du foret diamanté de la pièce.
- Lorsque vous fixez le support de forage à la pièce avec des ancrages et attaches, assurez-vous que l'ancrage utilisé est capable de maintenir et de retenir la machine pendant son utilisation. Si la pièce est peu solide ou poreuse, l'ancrage peut sortir de la pièce, provoquant ainsi le détachement du support de forage.
- Dans le cas d'un forage dans les murs et plafonds, assurez-vous de protéger le personnel et la zone de travail de l'autre côté. Le foret peut dépasser du trou ou la carotte peut tomber de l'autre côté.
- N'utilisez pas cet outil pour effectuer un forage au plafond avec alimentation en eau. L'infiltration d'eau dans l'outil électrique augmente le risque d'électrocution.
- Lorsque vous effectuez un forage au plafond, utilisez toujours le dispositif collecteur de liquide spécifié dans les instructions. Ne laissez pas l'eau s'écouler dans l'outil. L'infiltration d'eau dans l'outil électrique augmente le risque d'électrocution.

Instructions de sécurité pour l'entretien



AVERTISSEMENT: Les contrôles et/ou les entretiens doivent être effectués avec le moteur à l'arrêt et la prise électrique débranchée.

- Entretenez les accessoires et outils électriques. Vérifiez que des pièces en mouvement ne sont pas désalignées ou mal fixées, que des composants ne sont pas cassés ou détériorés de façon à nuire au bon fonctionnement de l'outil électrique. Si elle est endommagée, la machine à usiner doit être réparée avant toute réutilisation. De nombreux accidents sont dus à des machines mal entretenues.
- Maintenez les outils tranchants aiguisés et propres. Des outils tranchants correctement entretenus avec des bords aiguisés sont moins susceptibles de se coincer et sont plus faciles à contrôler.

- Confiez l'entretien de votre outil électrique à un mécanicien qualifié qui utilisera uniquement des

pièces de rechange identiques. Cela permet de garantir la sécurité de la machine.

Montage

Introduction



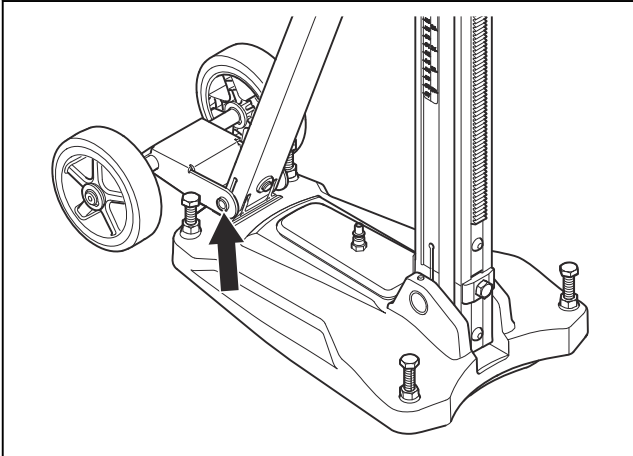
AVERTISSEMENT: Assurez-vous de lire et de comprendre le chapitre dédié à la sécurité avant de monter l'appareil.



AVERTISSEMENT: Pour éviter toute blessure, débranchez le cordon d'alimentation et retirez le foret avant le montage.

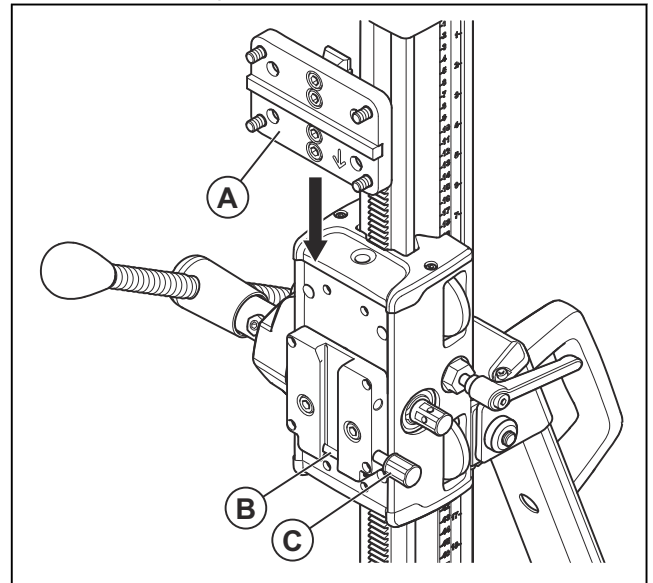
Fixation du kit de roues

1. Fixez le kit de roues à l'arrière de la plaque inférieure.
2. Serrez les vis.



Fixation du moteur de forage

1. Verrouillez le chariot du moteur de forage.
2. Fixez le moteur de forage sur la plaque d'installation (A).
3. Fixez la plaque d'installation et le moteur de forage dans le rail (B) sur le chariot du moteur de forage.
4. Tournez la vis (C) pour bloquer le moteur de forage dans la bonne position.



Installation

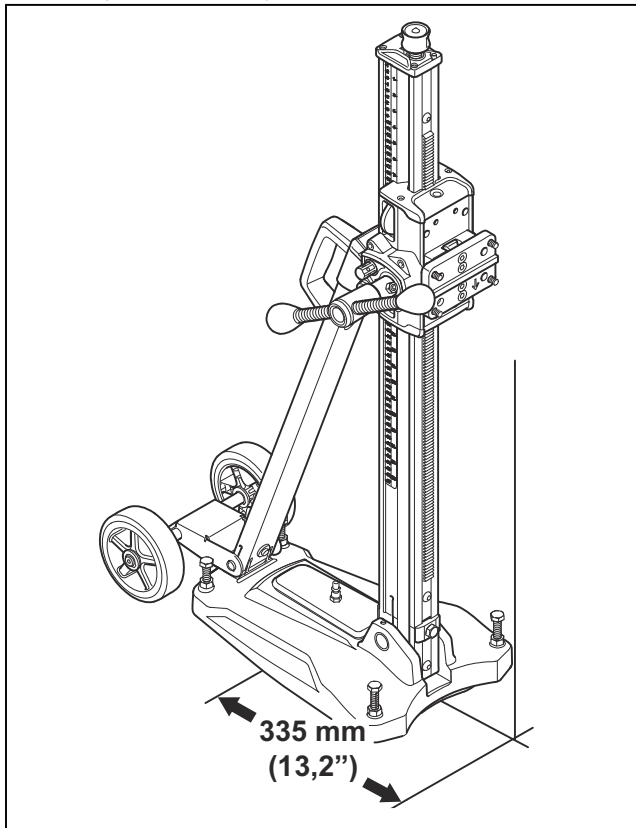
Installation du support de forage lors des opérations

Deux méthodes peuvent être utilisées pour fixer le support de forage pendant une opération de forage :

- Avec un boulon à expansion
- Avec une tige filetée, une rondelle et un contre-écrou

Fixation du support de forage avec un boulon explosif

1. Percez un trou pour le boulon explosif. Mesurez une distance de 335 mm (13,2 po) à partir du centre du trou que vous allez percer.



2. Fixez la plaque inférieure avec un boulon explosif.
3. Serrez le boulon à expansion complètement.
4. Si nécessaire, ajustez la plaque inférieure. Utilisez les vis de mise à niveau pour ajuster la plaque inférieure par rapport à la surface.

Pour fixer le support de forage avec une tige filetée

1. Examinez la qualité de la surface du toit ou des murs pour vérifier qu'elle est suffisante pour y percer des trous.
2. Si la qualité de la surface le permet, fixez la plaque inférieure avec une tige filetée.
3. Installez le support de forage avec une rondelle et un contre-écrou.

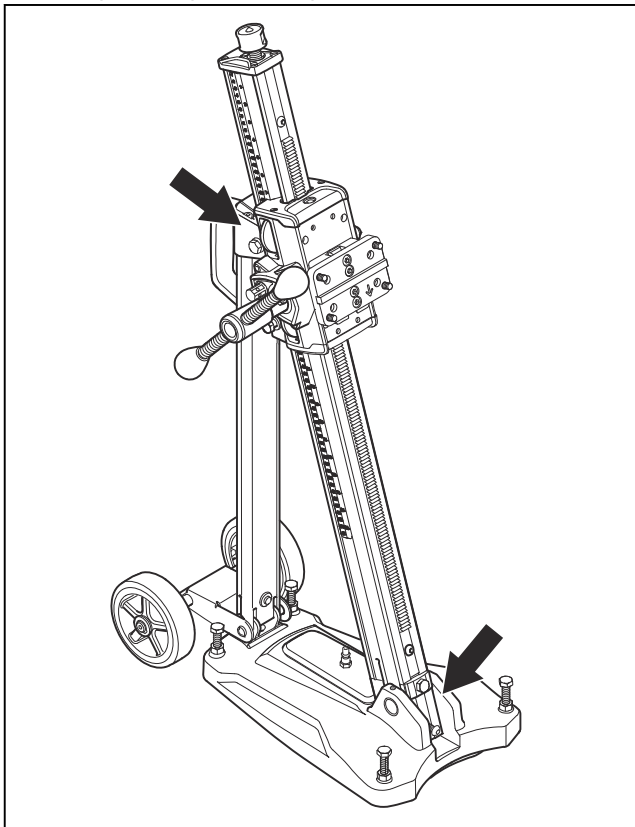
Utilisation

Avant d'utiliser le produit

1. Lisez attentivement le manuel d'utilisation et assurez-vous de bien comprendre les instructions.
2. Veillez à ce que la zone de travail reste propre et bien éclairée pour éviter les accidents.
3. Contrôlez le démarrage et l'arrêt du produit tous les jours. Reportez-vous à *Pour contrôler l'interrupteur marche/arrêt à la page 49*
4. Effectuez l'entretien quotidien. Reportez-vous à la section *Entretien quotidien du moteur de forage à la page 54*.
5. Assurez-vous que le produit est installé correctement. Le foret et le support de forage doivent être fixés correctement. Employez une méthode appropriée pour fixer le produit sur le support de forage.
6. Utilisez un équipement de protection personnelle. Reportez-vous à la section *Équipement de protection individuel à la page 46*.
7. Assurez-vous que le système d'eau est en bon état et qu'il est raccordé au produit.
8. Assurez-vous que le disjoncteur différentiel est en marche. Reportez-vous à *Disjoncteur différentiel de fuite à la terre à la page 49* et *Inspection du disjoncteur différentiel à la page 50*

Réglage de l'angle de la colonne de forage

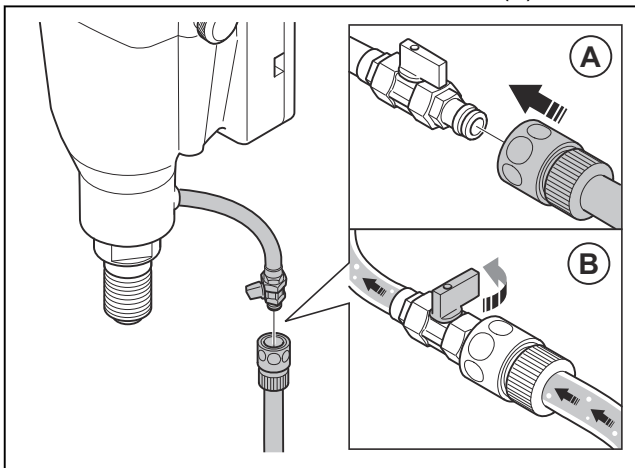
1. Desserrez les vis qui bloquent la colonne de forage et réglez l'angle de forage souhaité.



2. Utilisez l'indicateur d'angle pour un réglage approximatif. Si une plus grande précision est nécessaire, utilisez d'autres méthodes de mesure.
3. Serrez les vis de blocage de la colonne de forage. Utiliser le levier d'alimentation. La colonne de forage peut être inclinée de 0 à 60°.

Raccordement d'une arrivée d'eau

1. Raccordez le connecteur d'arrivée d'eau (A).



2. Ouvrez le système d'eau (B). Reportez-vous à *Caractéristiques techniques – moteur de forage* à la page 58 pour obtenir une pression d'eau maximale.

Pour démarrer le produit



REMARQUE: Ne forcez pas plus que nécessaire. Vous risqueriez de ralentir le fonctionnement du produit et de provoquer une surcharge du moteur.



REMARQUE: En présence de barres d'armature, exercez une très faible pression. Exercer une pression importante sur les barres d'armature peut déclencher le disjoncteur différentiel.

1. Démarrez le système d'eau.
2. Poussez l'interrupteur complètement.
3. Laissez le moteur atteindre sa vitesse maximale avant de mettre le foret en contact avec la pièce.
4. Poussez le foret sur la pièce avec le levier d'alimentation.
5. Appliquez une très faible pression au départ afin de maintenir le foret dans la position adéquate. Ensuite, poursuivez normalement.
6. Si le disjoncteur différentiel se déclenche, retirez le foret de la pièce avant de réinitialiser le produit.

Pour arrêter le produit



AVERTISSEMENT: Le foret continue de tourner quelque instants après l'arrêt du moteur. N'arrêtez pas le foret avec les mains. Vous pourriez vous blesser.

1. Appuyez sur l'interrupteur marche/arrêt pour arrêter le produit.
2. Patientez jusqu'à ce que le foret soit complètement arrêté.

Réduction de la température du moteur

- Faites fonctionner le produit sans charge pendant 2 minutes afin de réduire la température du moteur.

Entretien

Introduction



AVERTISSEMENT: assurez-vous de lire et de comprendre le chapitre sur la sécurité avant de procéder à l'entretien du produit.



AVERTISSEMENT: Pour éviter les blessures, débranchez le cordon d'alimentation avant de procéder à l'entretien.

Entretien quotidien du moteur de forage

- Assurez-vous que les écrous et les vis sont serrés.
- Assurez-vous que l'interrupteur marche/arrêt fonctionne correctement.
- Nettoyez la surface extérieure du moteur de forage.
- Assurez-vous que les prises d'air froid sont propres.
- Assurez-vous que le cordon d'alimentation et la rallonge sont en bon état et non endommagés.

Entretien quotidien du support de forage

- Assurez-vous que les écrous et les vis sont serrés.
- Nettoyez la surface extérieure du support de forage.
- Assurez-vous que le levier d'alimentation se déplace sans résistance.
- Assurez-vous que les engrenages se déplacent facilement et sans bruit.
- Examinez la colonne de forage ; soyez attentif aux traces d'usure ou de dommages.
- Assurez-vous que le chariot du moteur de forage se déplace facilement et qu'il n'y a pas de jeu avec la colonne de forage.

Nettoyage du moteur de forage



AVERTISSEMENT: Ne nettoyez pas le moteur de forage avec de l'eau. L'eau peut provoquer un court-circuit ou endommager le moteur de forage.

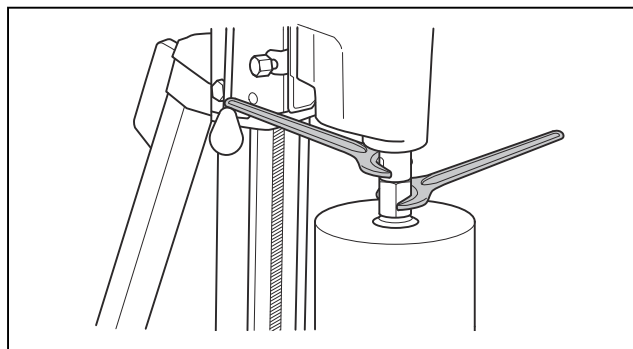
- Nettoyez le foret et moteur de forage à l'air comprimé.
- Vérifiez que les prises d'air froid sont exemptes de saleté ou d'obstruction.

Remplacement du foret



AVERTISSEMENT: Retirez la fiche de la prise secteur avant de remplacer le foret.

1. Assurez-vous que vous disposez d'un foret neuf, de 2 clés et d'une graisse hydrofuge.
2. Retirez le foret à l'aide des clés.



3. Appliquez la graisse hydrofuge sur le filetage du foret neuf.
4. Fixez le foret à l'aide des clés.

Embrayage

Si le couple transmis est réduit, l'embrayage doit être réglé. Faites régler l'embrayage par un centre d'entretien agréé.

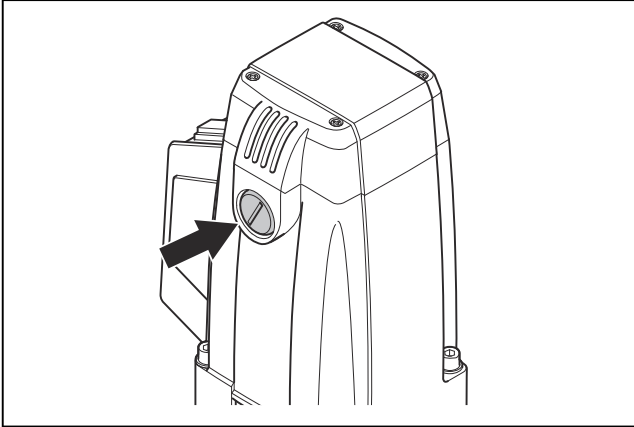
Remplacement des balais de carbone

Retirez et examinez les balais de charbon une fois par semaine si le moteur de forage est utilisé tous les jours. Rallongez cet intervalle si le moteur de forage n'est pas utilisé fréquemment. La zone d'usure doit être identique sur les deux balais de charbon et non endommagée.



REMARQUE: Vous devez remplacer les 2 balais de charbon en même temps.

1. Retirez le capot des balais de charbon à l'aide d'un grand tournevis plat.



2. Retirez les balais de charbon avec précaution. Remplacez les balais de charbon s'ils mesurent moins de 6 mm.
3. Installez des balais de charbon neufs.
4. Fixez le capot des balais de charbon.
5. Faites fonctionner le moteur de forage au régime de ralenti pendant 10 minutes pour roder les balais de charbon neufs.

Nettoyage et lubrification du support de forage



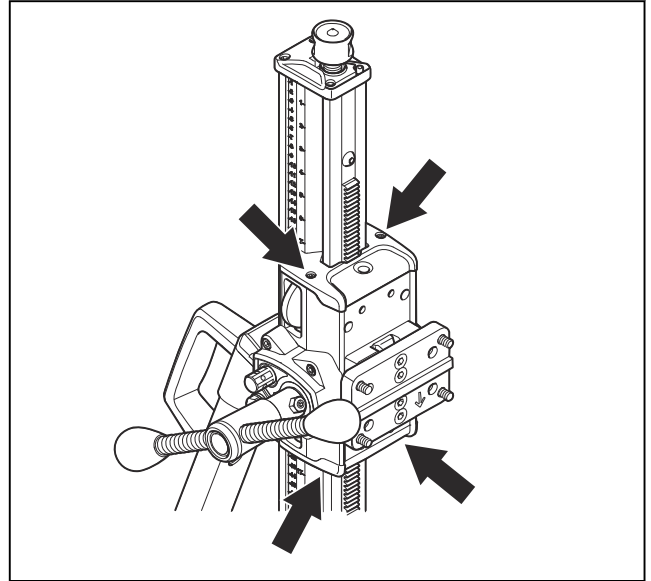
REMARQUE: Si vous ne nettoyez pas le support de forage, celui-ci risque d'être endommagé.

1. Retirez le moteur de forage.
2. Nettoyez le support de forage avec un nettoyeur à haute pression, puis retirez l'eau résiduelle avec un chiffon sec.
3. Lubrifiez les pièces mobiles du support de forage. Graissez les surfaces de contact pour éviter la corrosion.

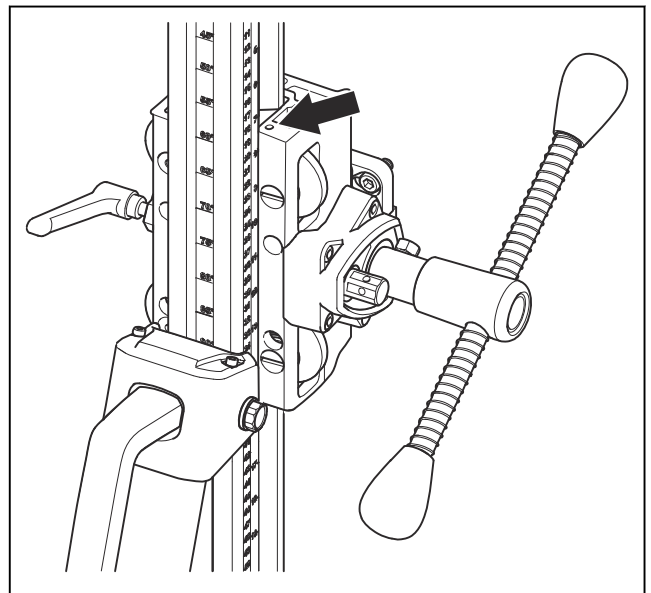
Réglage du chariot du moteur de forage

S'il y a un jeu entre la colonne de forage et le chariot du moteur de forage, ce dernier doit être réglé.

1. Retirez les couvercles en plastique des parties supérieure et inférieure du chariot du moteur de forage.

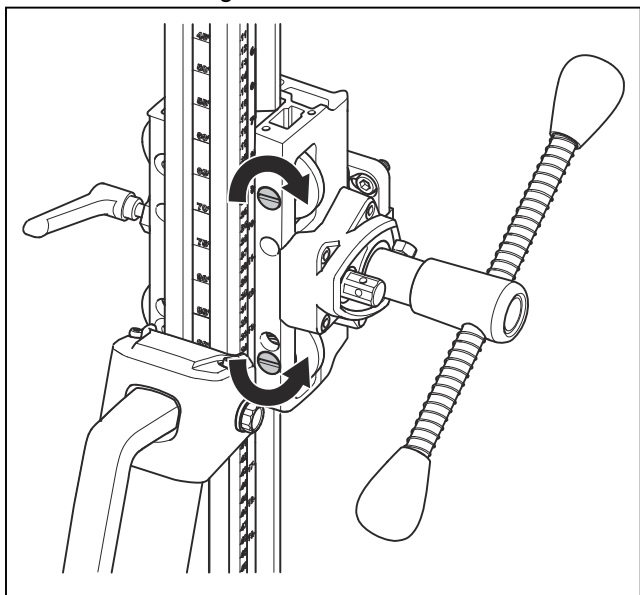


2. Desserrez les vis de réglage qui maintiennent les arbres des rouleaux.



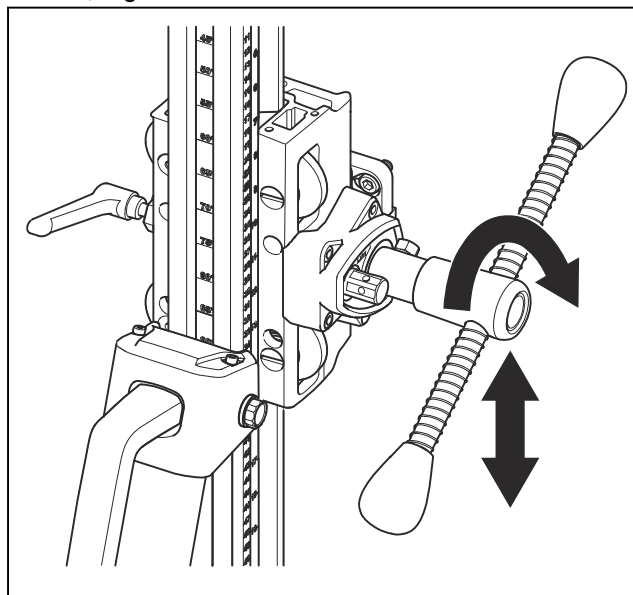
3. Commencez par l'arbre de rouleau supérieur. À l'aide d'un tournevis plat, tournez dans le sens des aiguilles d'une montre pour que l'arbre de rouleau soit plus près de la colonne de forage.
4. Serrez la vis de réglage pour verrouiller l'arbre de rouleau.

5. Réglez l'arbre de rouleau inférieur, tournez la vis dans le sens contraire des aiguilles d'une montre pour que l'arbre de rouleau soit plus près de la colonne de forage.



6. Serrez la vis de réglage pour verrouiller l'arbre de rouleau.

7. À l'aide du levier d'alimentation, vérifiez que le chariot du moteur de forage se déplace en douceur le long de la colonne de forage. Si ce n'est pas le cas, réglez de nouveau les arbres des rouleaux.



8. Installez les couvercles en plastique sur les parties supérieure et inférieure du chariot du moteur de forage.

Dépannage

Guide de dépannage

Si vous ne trouvez pas de solution à votre problème dans ce manuel de l'opérateur, contactez votre atelier spécialisé Husqvarna.

Problème	Étapes à effectuer immédiatement	Cause possible	Solution
Le fonctionnement est exceptionnellement lent.	Vérifiez le foret.	Le foret est usé.	Remplacez le foret.
		Le foret est obstrué par des particules.	Nettoyez le foret à l'aide d'une brosse métallique et augmentez la pression d'eau.
		Le foret diamanté est arrondi.	Utilisez un foret plus souple. Augmentez la force appliquée sur le levier d'alimentation.
	Vérifiez la présence de poudre métallique dans les eaux usées.	Le moteur de forage coupe une barre d'armature.	Déplacez le levier d'alimentation lentement pour ne pas déclencher le disjoncteur différentiel.

Problème	Étapes à effectuer immédiatement	Cause possible	Solution
Le foret est obstrué.	Arrêtez le moteur de forage.	De la pierre ou une barre d'acier s'est coincée entre la carotte et le foret.	Faites tourner le foret dans le sens des aiguilles d'une montre avec une clé pour le dégager tout en tirant le levier d'alimentation. Si vous le faites tourner dans le sens contraire des aiguilles d'une montre, il peut se dégager du tube.
		La plaque inférieure se déplace pendant le fonctionnement.	Remettez la plaque inférieure en place et serrez-la fermement.
		Le collier de serrage présente trop de jeu.	Réglez le jeu du collier de serrage correctement.
		Le diamètre extérieur du foret est le même que celui du tube.	Remplacez le foret.
Le tube est usé.		Le collier de serrage présente trop de jeu.	Réglez le jeu du collier de serrage correctement.
		Le foret, le tube ou la plaque inférieure sont desserrés.	Serrez-les fermement.
		Le foret est endommagé.	Remplacez le foret.
		Les particules sont difficiles à évacuer.	Augmenter la pression et le volume d'eau.

Transport et stockage

Transport et stockage

- Conservez le produit dans un endroit verrouillé afin que des enfants ou personnes qui ne sont pas autorisées à l'utiliser ne puissent pas y avoir accès.
- Conservez le produit dans un endroit sec et à l'abri du gel.
- Retirez le foret avant de transporter ou de remettre le produit. Cette précaution permet d'éviter d'endommager votre produit et les forets.
- Sécurisez le produit lors de son transport pour éviter tout dommage ou accident.

Caractéristiques techniques

Caractéristiques techniques – moteur de forage

	DMS 240
Moteur	
Moteur électrique	Monophasé
Tension nominale, V	230/100-120
Puissance nominale, W	2 400
Intensité nominale, A	
230 V	10
100-120 V	20
Poids	
Kg/lb	5,9/13
Vitesse broche, ralenti, tr/min	
Position 1	390
Position 2	890
Foret	
Diamètre de foret max, mm/pouces	250/10
Filetage de l'arbre, intérieur	G ½ po extérieur 5/8 po 11 UNC
Filetage de l'arbre, extérieur	1 1/4 po 7 UNC
Pression d'eau maximale, en bar	8
Raccord de l'eau	G 1/4 po
Émissions sonores	
Niveau de puissance sonore, mesuré dB(A)	106
Niveau de puissance acoustique, garanti L _{WA} dB(A)	107
Niveaux sonores	
Niveau de pression sonore à l'oreille de l'utilisateur, dB(A)	90
Niveaux de vibrations	
Poignée, m/s ²	<2

Caractéristiques techniques – support de forage

Hauteur, mm/po.	1 052/41,4
Largeur, mm/po.	266/10,5

Profondeur, mm/po.	545/21,5
Poids kg/lb	14,5/32
Course, mm/po.	686/27
Angle de la colonne de forage	0-60°

Entretien

Atelier d'entretien agréé

Pour trouver l'atelier d'entretien Husqvarna agréé le plus proche, rendez-vous sur le site Web .

Déclaration de conformité

Déclaration de conformité UE

Nous, **Husqvarna AB**, SE-561 82 Huskvarna, Suède,
tél : +46-36-146500, déclarons sous notre entière
responsabilité que le produit :

Description	Foreuse
Marque	Husqvarna
Type/Modèle	DMS 240
Identification	Numéros de série à partir de 2022 et ultérieurs

est entièrement conforme à la réglementation et aux
directives de l'UE suivantes :

Directive/Réglementation	Description
2006/42/EC	« relative aux machines »
2014/30/EU	« relative à la compatibilité électromagnétique »
2011/65/EU	« relative à la limitation de l'utilisation de certaines substances dangereuses »

et que les normes harmonisées et/ou les spécifications
techniques suivantes sont appliquées :

EN ISO 12100:2010

EN 62841-3-6:2014

EN 55014-1:2006+A1:2009+A2:2011

EN 55014-2:1997+A1:2001+A2:2008

EN 61000-3-2:2014

EN 61000-3-3:2013

EN IEC 63000:2018

Partille, 2022-12-02



Fredrik Sandinge

Directeur général R&D

Surfaces et sols en béton

Husqvarna AB, division Construction

Inhoud

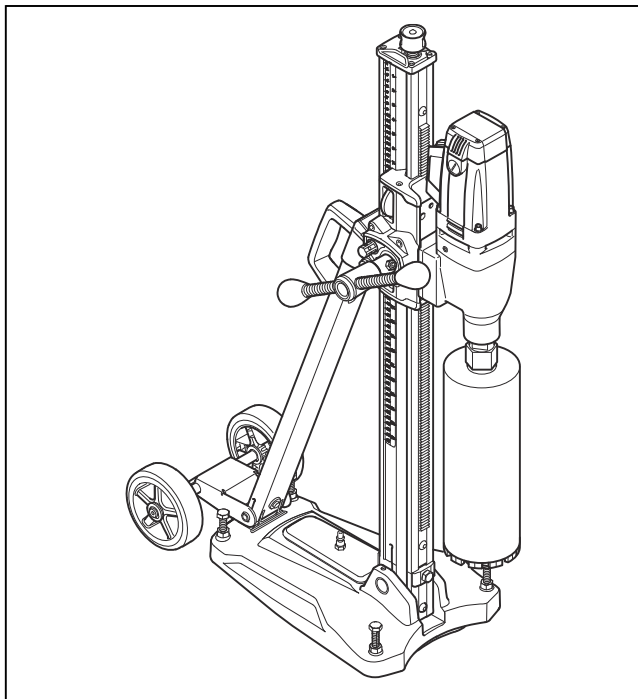
Inleiding.....	61	Probleemoplossing.....	76
Veiligheid.....	64	Transport en opslag.....	77
Montage.....	71	Technische gegevens.....	78
Installatie.....	71	Service.....	79
Werking.....	72	Verklaring van overeenstemming.....	80
Onderhoud.....	74		

Inleiding

Productbeschrijving

Het product is een elektrische boormotor voor betonsteen en verschillende steenmaterialen. Het wordt gebruikt met een boorstandaard.

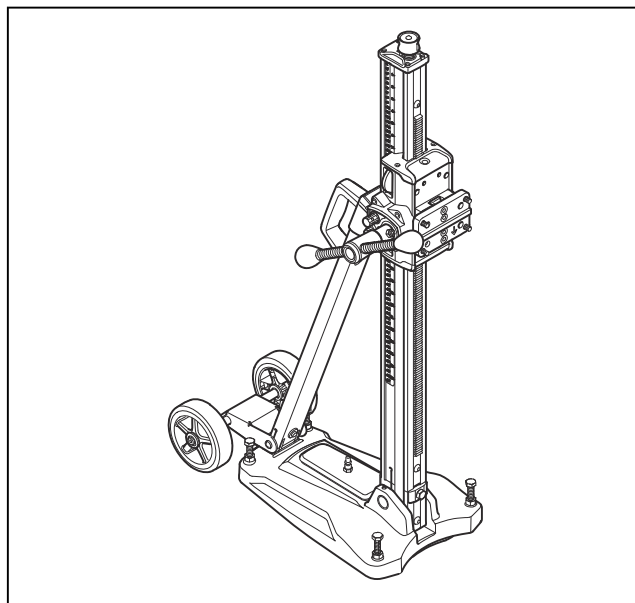
Boormotor en boorstandaard



Boorstandaard

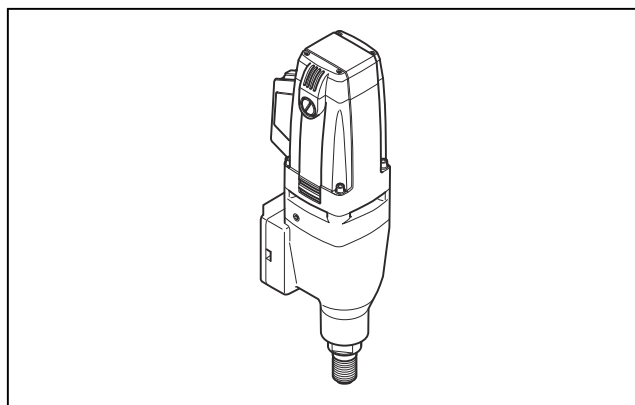
- De boorstandaard wordt gebruikt voor het maken van gaten in muren en vloeren.
- De boorstandaard is voorzien van een montageplaat waarmee de boormotor eenvoudig kan worden bevestigd.
- De bodemplaat is gemaakt van aluminium.
- De wielset kan worden verwijderd.
- De boorkolom kan 0-60° worden gekanteld.
- De transmissie van het toevoerendel huis is verstelbaar. De hoge stand geeft 2,5:1 en de lage 1:1.
- De toevoerendel wordt gebruikt om de hoogtafstelschroeven van de bodemplaat af te

stellen en om de gewenste hoek van de boorkolom in te stellen.



Boormotor

- Het product heeft 2 versnellingen.
- Het product is dubbel geïsoleerd.
- Het product is voorzien van een overbelastingsbeveiliging die de stroom uitschakelt als het boorbit geblokkeerd is.
- Het watersysteem verlaagt de temperatuur van het product.

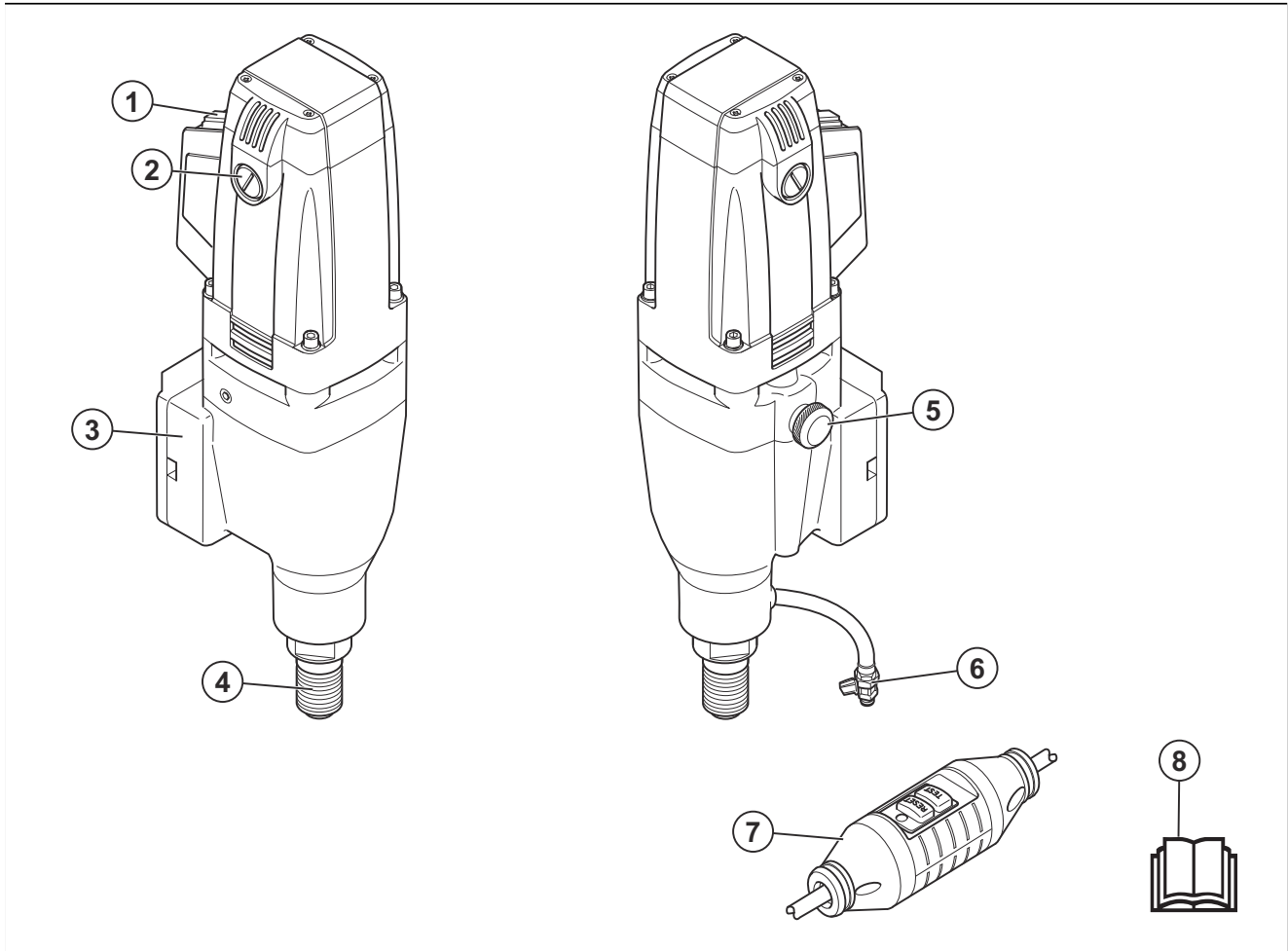


Gebruik

Dit product wordt gebruikt voor het boren in beton, baksteen en verschillende steenmaterialen. Elk ander gebruik is niet geschikt.

Het product wordt door ervaren gebruikers toegepast in industriële processen.

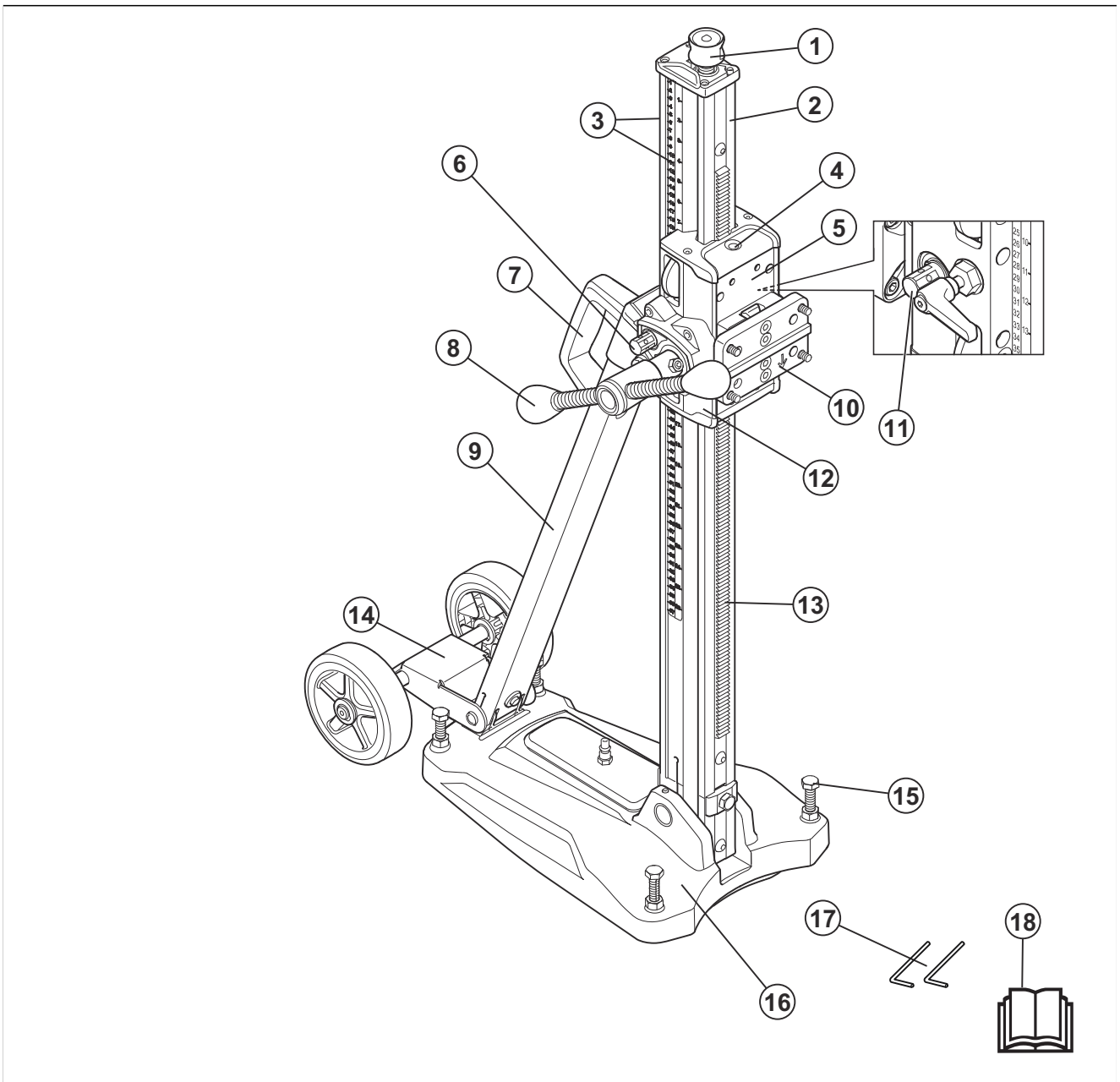
Productoverzicht - boormotor



1. Aan-/uitschakelaar
2. Koolborsteldekse
3. Installatiepunt voor de boorstandaard
4. Boorspil

5. Transmissiekeuzeschakelaar
6. Wataansluiting
7. Aardlekschakelaar
8. Bedieningshandleiding

Productoverzicht - boorstandaard



1. Stelschroef
2. Boorkolom
3. Schaal voor diepte en hoek
4. Hoekindicator
5. Boormotorslede
6. Schroef waarmee de hoek van de boorkolom wordt vastgezet
7. Hendel
8. Toevoerhendel
9. Achterste steun
10. Montageplaat
11. Vergrendeling voor boormotorslede
12. Versnellingsbak
13. Tandheugel

14. Verwijderbare wielset
15. Hoogteafstelschroeven
16. Bodemplaat
17. Inbussleutel, 3 mm en 4 mm
18. Husqvarna Automower® 420/430X/440

Symbolen op het product



WAARSCHUWING: Wees voorzichtig en gebruik het product op de juiste manier. Dit product kan ernstig of fataal letsel toebrengen aan de gebruiker of anderen.



Lees de handleiding goed door en zorg dat u de instructies hebt begrepen voordat u het product gebruikt.



Draag altijd gehoorbescherming, oogbescherming en ademhalingsbescherming.



Dit product voldoet aan de geldende EU-richtlijnen.



Veiligheidsaarde.

Let op: Overige op het product aangebrachte symbolen/plaatjes verwijzen naar specifieke eisen aan certificering voor bepaalde markten.

Productaansprakelijkheid

Zoals uiteengezet in de wet voor productaansprakelijkheid zijn wij niet aansprakelijk voor schade die door ons product wordt veroorzaakt, indien:

- het product niet goed is gerepareerd.
- het product is gerepareerd met onderdelen die niet van de fabrikant afkomstig zijn, of onderdelen die niet zijn goedgekeurd door de fabrikant.
- het product een accessoire bevat dat niet afkomstig is van de fabrikant of niet is goedgekeurd door de fabrikant.
- het product niet is gerepareerd door een erkend servicepunt of door een erkende autoriteit.

Veiligheid

Veiligheidsdefinities

Waarschuwingen, voorzorgsmaatregelen en opmerkingen worden gebruikt om te wijzen op belangrijke delen van de handleiding.



WAARSCHUWING: Wordt gebruikt om te wijzen op de kans op ernstig of fataal letsel voor de gebruiker of omstanders wanneer de instructies in de handleiding niet worden gevolgd.



OPGELET: Wordt gebruikt indien er een risico bestaat op schade aan het product en andere eigendommen of aan de omgeving wanneer de instructies in de handleiding niet worden gevolgd.

Let op: Geven verdere informatie die nodig is in een bepaalde situatie.

Gebruik altijd uw gezond verstand



WAARSCHUWING: Onder geen beding mag u wijzigingen aanbrengen in het oorspronkelijke ontwerp van de machine zonder toestemming van de fabrikant. Gebruik altijd originele reserveonderdelen. Ongeautoriseerde wijzigingen en/of accessoires kunnen ernstig of dodelijk letsel aan de gebruiker of anderen toebrengen.



WAARSCHUWING: Het gebruik van producten zoals doorslijpmachines, slijppapparaten en boren om materiaal te schuren of te vormen, kan stof en dampen veroorzaken die gevaarlijke chemicaliën kunnen bevatten. Controleer de aard van het materiaal dat u wilt bewerken en draag een geschikt ademmasker.

Het is niet mogelijk om elke situatie die zich kan voordoen tijdens het gebruik van een boormachine te vermelden. Wees altijd voorzichtig en gebruik uw gezond verstand. Vermijd situaties die uw capaciteiten te boven gaan. Als u na het lezen van deze instructies nog vragen hebt over de bedieningsprocedures dient u een expert te raadplegen voordat u verder gaat. Aarzel niet om contact op te nemen met uw dealer of ons als u nog meer vragen hebt over het gebruik van deze boormachine. We zijn graag bereid om u te adviseren of u te helpen uw boormachine op een efficiënte en veilige manier te gebruiken.

Aarzel niet om contact op te nemen met uw leverancier als u nog meer vragen hebt over het gebruik van de machine. We zijn graag bereid om u te adviseren of u te helpen uw machine op een efficiënte en veilige manier te gebruiken.

Laat uw Husqvarna-dealer de boormachine regelmatig controleren en de noodzakelijke aanpassingen en reparaties uitvoeren.

Husqvarna werkt voortdurend aan het verder ontwikkelen van zijn producten. Husqvarna behoudt zich het recht voor om zonder aankondiging vooraf

wijzigingen in vorm en uiterlijk door te voeren en zonder enige verplichting het ontwerp te wijzigen.

Alle informatie en gegevens in deze bedieningshandleiding waren van toepassing op de datum dat deze gebruiksaanwijzing ter perse ging.

Veiligheidsinstructies voor bediening



WAARSCHUWING: Lees alle veiligheidswaarschuwingen, instructies, illustraties en specificaties die worden meegeleverd met dit elektrisch gereedschap. Het niet opvolgen van ieder van de onderstaande instructies kan leiden tot elektrische schokken, brand en/of ernstig letsel. Bewaar alle waarschuwingen en instructies voor later gebruik.



WAARSCHUWING: Er is altijd een risico op letsel als u werkt met producten die bewegende onderdelen bevatten. Draag veiligheidshandschoenen om letsel te voorkomen.

- Maak altijd gebruik van persoonlijke beschermingsmiddelen. Draag altijd oogbescherming. Persoonlijke beschermingsmiddelen zoals een stofmasker, veiligheidsschoenen met antislipprofiel, een veiligheidshelm of gehoorbescherming zullen in relevante werkomstandigheden letsel beperken.
- Houd kinderen en omstanders op afstand wanneer u elektrisch gereedschap gebruikt. U kunt de controle over het apparaat verliezen als u afgeleid wordt.
- Verwijder alle ongewenste materialen uit het werkgebied en zorg dat het werkgebied verlicht is voordat u begint. Als de gebieden niet worden gereinigd en verlicht, is er meer risico op ongevallen.
- Gebruik elektrisch gereedschap niet in een omgeving waar ontploffingsgevaar bestaat, zoals in de buurt van brandbare vloeistoffen, gassen of stof. Elektrisch gereedschap kan vonken produceren waardoor stof of dampen kunnen ontbranden.
- In situaties waar plotseling mensen of dieren kunnen verschijnen, hebt u mogelijk minder controle over het product. Houd daarom altijd uw aandacht bij de taak.
- Gebruik het product niet bij ongunstige weersomstandigheden, zoals mist, regen, sterke wind, hevige koude of andere ongunstige omstandigheden. Bij slecht weer kunnen gevaarlijke omstandigheden, zoals gladde oppervlakken, ontstaan.
- Inspecteer het werkgebied voordat u het product gebruikt. Kijk uit voor obstakels met een risico op plotselinge en schadelijke bewegingen. Zorg ervoor dat tijdens gebruik geen materiaal kan losraken en vallen of letsel kan veroorzaken.
- Controleer altijd de achterkant van het oppervlak waar het boorbitje door moet gaan. Zorg dat het gebied veilig is en markeer het werkgebied. Zorg dat er geen lichamelijk letsel kan ontstaan en dat materiaal niet beschadigd kan raken.
- Wees altijd alert, kijk wat u doet en gebruik uw gezonde verstand wanneer u elektrisch gereedschap gebruikt. Gebruik een elektrisch apparaat niet als u moe bent of onder invloed bent van drugs, alcohol of medicijnen. Een moment van onoplettendheid tijdens het gebruik van elektrische apparaten kan leiden tot ernstig persoonlijk letsel.
- Voorkom een onbedoelde start. Zorg ervoor dat de aan-/uitschakelaar in de OFF-stand staat voordat u het gereedschap aansluit op een spanningsbron en/of accu, oppakt of draagt. Het dragen van elektrische apparaten met uw vinger op de schakelaar of het onder spanning zetten van elektrische apparaten waarvan de schakelaar op aan staat, kan makkelijk leiden tot ongelukken
- Het gebruik van het product kan tot rondvliegende voorwerpen leiden, waardoor letsel bij de gebruiker kan ontstaan. Verwijder de instelsleutel en sleutel voordat u het product start.
- Als de mogelijkheid bestaat voor het opvangen van stof moet u ervoor zorgen dat deze is aangesloten en op de juiste wijze wordt gebruikt. Het gebruik van stofopvang kan stofgerelateerde gevaren beperken.
- Laat de vertrouwdheid met de door u gebruikte apparaten door het frequente gebruik ervan niet toe leiden dat u de veiligheidsprincipes negeert. Een onzorgvuldige handeling kan binnen een fractie van een seconde leiden tot ernstig letsel.
- Zorg ervoor dat iedereen die het product gebruikt de inhoud van de bedieningshandleiding heeft gelezen en begrepen.
- Draag geschikte kleding. Draag geen losse kleding of sieraden. Houd uw haar en kleding uit de buurt van bewegende onderdelen. Losse kleding, sieraden of lang haar kunnen verstrikt raken in bewegende onderdelen. .
- Er kunnen gevaarlijke ongelukken gebeuren als de betonnen kern in het boorbitje blijft zitten wanneer u de boormotor uit de vloer of muur trekt.
- Blijf op afstand van het boorbitje wanneer de motor draait.
- Controleer of er geen leidingen of elektrische kabels lopen op de plek waar u het gat gaat boren.
- Blijf in de buurt van het product wanneer de motor draait.
- Voorkom overstrekken. Zorg dat u te allen tijde stevig en in balans staat. Hierdoor heeft u een betere controle over het apparaat in onverwachte situaties.
- Koppel het product altijd los van het stopcontact tijdens langere werkonderbrekingen.
- Zorg ervoor dat er altijd één persoon in de buurt is wanneer u het product gebruikt. Als zich een ongeval voordoet, moet u indien nodig hulp kunnen krijgen.

- Gebruik het product nooit wanneer de veiligheidsuitrusting defect is.
- Voer de in deze handleiding beschreven veiligheidscontroles en onderhouds- en servicetaken uit. Sommige onderhouds- en servicewerkzaamheden mogen alleen worden uitgevoerd door erkende servicewerkplaatsen. Zie *Onderhoud op pagina 74*
- Inspectie en/of onderhoud moet worden uitgevoerd terwijl de motor is gestopt en de stekker uit het stopcontact is verwijderd.
- Gebruik elektrische gereedschap niet voor taken waarvoor het niet geschikt is. Gebruik het juiste elektrische apparaat voor uw toepassing. Met het juiste elektrische apparaat kunt u de taak beter en veiliger uitvoeren met de snelheid waarvoor het is ontworpen.
- Gebruik het product niet als de AAN/UIT-schakelaar het product niet kan stoppen en starten. Als een product niet kan worden bediend met de AAN/UIT-schakelaar, is het product gevaarlijk en moet het worden gerepareerd.
- Gebruik geen product dat is gewijzigd ten opzichte van de fabrieksspecificaties.
- Haal de stekker uit het stopcontact en/of verwijder het accupack (indien verwijderbaar) van het elektrische gereedschap voordat u aanpassingen maakt, accessoires verwisselt of het elektrische gereedschap opbergt. Deze voorzorgsmaatregelen verkleinen het risico op het per ongeluk starten van het elektrische apparaat.
- Berg elektrisch gereedschap dat u niet nodig hebt op buiten het bereik van kinderen en laat personen die onbekend zijn met het elektrisch gereedschap of deze instructies niet werken met het elektrisch gereedschap. Elektrische apparaten zijn gevaarlijk in handen van ongetrainde gebruikers.
- Gebruik het elektrisch gereedschap, de accessoires, gereedschapsbits en dergelijke in overeenstemming met deze instructies en houd hierbij rekening met de werkomstandigheden en het type klus dat moet worden uitgevoerd. Als u het elektrische apparaat voor andere toepassingen gebruikt dan waarvoor het is bedoeld, kan er een gevaarlijke situatie ontstaan
- Houd de handgrepen en grijppoppervlakken droog, schoon en vrij van olie en vet. Als de handgrepen en grijppoppervlakken glad zijn, kan het product niet veilig worden bediend en hebt u er in overwachte situaties geen controle over.
- Overbelast het product niet. Als u het product overbelast, kan het beschadigd raken.
- Houd gereedschappen scherp en schoon om de veiligheid van de werkzaamheden te waarborgen.
- Zorg ervoor dat alle onderdelen in een goede staat blijven en controleer of alle fittingen goed vastzitten.

Algemene veiligheidswaarschuwingen voor elektrisch gereedschap



WAARSCHUWING: Lees alle veiligheidswaarschuwingen, instructies, illustraties en specificaties die worden meegeleverd met dit elektrisch gereedschap. Het niet opvolgen van ieder van de onderstaande instructies kan leiden tot elektrische schokken, brand en/of ernstig letsel.

- **Bewaar alle waarschuwingen en instructies voor later gebruik.** De term "elektrisch gereedschap" in de waarschuwingen verwijst zowel naar gereedschappen die op het lichtnet (met snoer) werken als gereedschappen die met een accu (snoerloos) werken.

Persoonlijke beschermingsuitrusting



WAARSCHUWING: Lees de volgende waarschuwingen voordat u het product gaat gebruiken.

- Gebruik altijd de juiste persoonlijke beschermingsmiddelen wanneer u het product gebruikt. De persoonlijke beschermingsmiddelen nemen het risico op letsel niet weg. De persoonlijke beschermingsmiddelen verlagen de ernst van het letsel indien zich een ongeval voordoet. Vraag uw dealer u te helpen bij het kiezen van de juiste beschermingsmiddelen.
- Gebruik goedgekeurde oogbescherming wanneer u het product gebruikt.
- Gebruik stevige slipbestendige laarzen met stalen neuzen.
- Draag nauwsluitende kleding die uw bewegingsvrijheid niet beperkt.
- Controleer regelmatig de toestand van uw persoonlijke beschermingsmiddelen.
- Gebruik goedgekeurde, sterke veiligheidshandschoenen.
- Gebruik rubberen veiligheidshandschoenen om huidirritatie vanwege het natte beton te voorkomen.
- Draag een goedgekeurde veiligheidshelm.
- Gebruik altijd goedgekeurde gehoorbescherming wanneer u het product gebruikt. Langdurig lawaai kan gehoorverlies veroorzaken.
- Het product veroorzaakt stof en dampen die slecht zijn voor uw gezondheid. Gebruik goedgekeurde ademhalingsbescherming.
- Zorg ervoor dat u een EHBO-kit bij de hand hebt.
- Er kunnen vonken optreden bij de bediening van de machine. Zorg ervoor dat u een brandblusapparaat bij de hand hebt.
- Draag geen loszittende kleding, sieraden of andere voorwerpen die vast kunnen komen te zitten in

bewegende delen. Bind voor de veiligheid lang haar samen tot boven schouderhoogte.

Veiligheid van het werkgebied

- **Zorg ervoor dat de werkplek schoon en goed verlicht is.** In rommelige of donkere gebieden gebeuren eerder ongelukken.
- **Gebruik elektrisch gereedschap niet in een omgeving waar ontploffingsgevaar bestaat, zoals in de buurt van brandbare vloeistoffen, gassen of stof.** Elektrische apparaten creëren vonken waardoor het stof of de dampen kunnen ontbranden.
- **Houd kinderen en omstanders op afstand wanneer u elektrisch gereedschap gebruikt.** U kunt de controle over het apparaat verliezen als u afgeleid wordt.

Elektrische veiligheid



WAARSCHUWING: Er is altijd kans op schokken van elektrische producten. Gebruik het product niet bij slecht weer. Voorkom aanraken van bliksemafleiders en metalen voorwerpen. Volg altijd de instructies in de bedieningshandleiding om beschadiging te voorkomen.



WAARSCHUWING: Reinig het product nooit met water. Water kan binnendringen in het elektrische systeem of de motor en kan schade of kortsluiting in het product veroorzaken.

- Elektrisch gereedschap moet geschikt zijn voor het betreffende stopcontact. Wijzig nooit de stekker. Gebruik nooit een adapterstekker in combinatie met geaarde elektrische gereedschappen. Ongewijzigde stekkers en overeenkomende stopcontacten verkleinen het risico op elektrische schokken.
- Vermijd lichamelijk contact met geaarde oppervlakken, zoals buizen, radiatoren, fornuizen en koelkasten. Er is een verhoogd risico op elektrische schokken als uw lichaam geaard is.
- Als gebruik van een elektrisch apparaat in een vochtige omgeving onvermijdelijk is, gebruik dan een netvoeding met aardlekschakelaar (RCD). Gebruik van een RCD vermindert het risico op elektrische schokken.
- Sluit het product alleen aan op een correct geaard stopcontact.
- Controleer of de netspanning en afzekering overeenkomt met de spanning die is aangegeven op het typeplaatje op de machine.
- Controleer of de voedingskabel en de verlengkabel onbeschadigd en in goede staat zijn.
- Gebruik een verlengkabel die geschikt is voor gebruik buitenshuis wanneer u buiten werkt met elektrisch gereedschap. Het gebruik van een kabel die geschikt is voor gebruik buitenshuis, vermindert het risico op elektrische schokken.

- Gebruik het product niet als de kabel is beschadigd, maar breng het product voor reparatie naar een erkend servicecentrum. Een beschadigde kabel kan gevaarlijk letsel en in het ergste geval de dood tot gevolg hebben.
- Zorg ervoor dat de verlengkabel voordat u deze gebruikt helemaal is uitgerold om oververhitting te voorkomen.
- Gebruik de kabel niet voor oneigenlijke doeleinden. Gebruik de kabel nooit om het elektrische apparaat te dragen, het mee te slepen of om de stekker uit het stopcontact te trekken. Houd de kabel uit de buurt van warmte, olie, scherpe randen en bewegende onderdelen. Beschadigde of in de knoop geraakte kabels verhogen het risico op elektrische schokken.
- Stel elektrische gereedschappen niet bloot aan regen of vochtige omstandigheden. Water dat in elektrisch gereedschap binnendringt, verhoogt het risico op elektrische schokken.
- Zorg ervoor dat de kabel achter u ligt voordat u het product gebruikt. Zo voorkomt u dat de kabel beschadigd raakt.

Elektrische veiligheid

- **Elektrisch gereedschap moet geschikt zijn voor het betreffende stopcontact. Wijzig nooit de stekker. Gebruik nooit een adapterstekker in combinatie met geaarde elektrische gereedschappen.** Ongewijzigde stekkers en overeenkomende stopcontacten verkleinen het risico op elektrische schokken.
- **Vermijd lichamelijk contact met geaarde oppervlakken, zoals buizen, radiatoren, fornuizen en koelkasten.** Er is een verhoogd risico op elektrische schokken als uw lichaam geaard is.
- **Stel elektrische gereedschappen niet bloot aan regen of vochtige omstandigheden.** Water dat in elektrisch gereedschap binnendringt, verhoogt het risico op elektrische schokken.
- **Gebruik de kabel niet voor oneigenlijke doeleinden. Gebruik de kabel nooit om het elektrische apparaat te dragen, het mee te slepen of om de stekker uit het stopcontact te trekken. Houd de kabel uit de buurt van warmte, olie, scherpe randen en bewegende onderdelen.** Beschadigde of in de knoop geraakte kabels verhogen het risico op elektrische schokken.
- **Gebruik een verlengkabel die geschikt is voor gebruik buitenshuis wanneer u buiten werkt met elektrisch gereedschap.** Het gebruik van een kabel die geschikt is voor gebruik buitenshuis, vermindert het risico op elektrische schokken.
- **Als gebruik van een elektrisch apparaat in een vochtige omgeving onvermijdelijk is, gebruik dan een netvoeding met reststroombescherming (RCD).** Het gebruik van een aardlekschakelaar vermindert het risico op elektrische schokken.

Persoonlijke veiligheid

- **Wees altijd alert, kijk wat u doet en gebruik uw gezonde verstand wanneer u elektrisch gereedschap gebruikt. Gebruik elektrisch gereedschap niet als u**

moe bent of onder invloed bent van drugs, alcohol of medicijnen. Een moment van onoplettendheid tijdens het gebruik van elektrische apparaat kan leiden tot ernstig persoonlijk letsel.

- **Maak altijd gebruik van persoonlijke beschermingsmiddelen. Draag altijd oogbescherming.** Beschermingsmiddelen zoals een stofmasker, veiligheidsschoenen met antislipprofiel, een veiligheidshelm of gehoorbescherming in relevante werkomstandigheden beperken letsel.
- **Voorkom een onbedoelde start. Zorg ervoor dat de schakelaar in de stand Off staat voordat u het gereedschap aansluit op een spanningsbron en/of accupack, oppakt of draagt.** Het dragen van elektrische apparaten met uw vinger op de schakelaar of het onder spanning zetten van elektrische apparaten waarvan de schakelaar op aan staat, kan makkelijk leiden tot ongelukken.
- **Verwijder eventuele (instel)sleutels voordat u het elektrisch gereedschap inschakelt.** Een sleutel die is bevestigd aan een draaiend onderdeel van het elektrische gereedschap kan persoonlijk letsel tot gevolg hebben.
- **Voorkom overstrekken. Zorg dat u te allen tijde stevig en in balans staat.** Hierdoor heeft u een betere controle over het apparaat in onverwachte situaties.
- **Draag geschikte kleding. Draag geen losse kleding of sieraden. Houd uw haar en kleding uit de buurt van bewegende onderdelen.** Losse kleding, sieraden of lang haar kunnen verstrikt raken in bewegende onderdelen.
- **Als de mogelijkheid bestaat voor het opvangen van stof moet u ervoor zorgen dat deze is aangesloten en op de juiste wijze wordt gebruikt.** Het gebruik van stofopvang kan stofgerelateerde gevaren beperken.
- **Laat de vertrouwdheid met de door u gebruikte apparaten door het frequente gebruik ervan niet toe leiden dat u de veiligheidsprincipes negeert.** Een onzorgvuldige handeling kan binnen een fractie van een seconde leiden tot ernstig letsel.

Gebruik en verzorging van elektrische apparaten

- **Gebruik elektrische gereedschap niet voor taken waarvoor het niet geschikt is. Gebruik het juiste elektrische apparaat voor uw toepassing.** Met het juiste elektrische apparaat kunt u de taak beter en veiliger uitvoeren met de snelheid waarvoor het is ontworpen.
- **Gebruik het elektrisch gereedschap niet als de aan/uitschakelaar niet werkt.** Elektrische apparaten die niet bediend kunnen worden met de schakelaar zijn gevaarlijk en moeten gerepareerd worden.
- **Haal de stekker uit het stopcontact en/of verwijder het accupack (indien verwijderbaar) van het elektrische gereedschap voordat u aanpassingen maakt, accessoires verwisselt of het elektrische gereedschap opbergt.** Deze voorzorgsmaatregelen

verkleinen het risico op het per ongeluk starten van het elektrische apparaat.

- **Berg elektrisch gereedschap dat u niet nodig hebt op buiten het bereik van kinderen en laat personen die onbekend zijn met het elektrisch gereedschap of deze instructies niet werken met het elektrisch gereedschap.** Elektrische apparaten zijn gevaarlijk in handen van ongetrainde gebruikers.
- **Zorg voor een deugdelijk onderhoud van elektrische gereedschappen en accessoires. Controleer op onjuiste montage of vastlopen van bewegende delen, gebroken onderdelen en andere condities die de werking van het elektrische gereedschap kunnen beïnvloeden. Als het elektrische apparaat beschadigd is, moet u het laten repareren voordat u het gebruikt.** Veel ongelukken worden veroorzaakt door slecht onderhouden elektrische apparaten.
- **Houd snijgereedschappen scherp en schoon.** Goed onderhouden snijgereedschappen met scherpe snijranden zullen minder gauw vastlopen en zijn eenvoudiger onder controle te houden.
- **Gebruik het elektrisch gereedschap, de accessoires, gereedschapsbits en dergelijke in overeenstemming met deze instructies en houd hierbij rekening met de werkomstandigheden en het type klus dat moet worden uitgevoerd.** Als u het elektrische apparaat voor andere toepassingen gebruikt dan waarvoor het is bedoeld, kan er een gevaarlijke situatie ontstaan.
- **Houd de handgrepen en grijpoppervlakken droog, schoon en vrij van olie en vet.** Als handgrepen en grijpoppervlakken glad zijn, kan dit ervoor zorgen dat het gereedschap in onverwachte situaties niet veilig kan worden gehanteerd en bediend.

Service

- **Laat uw elektrische apparaat repareren door een gekwalificeerde monteur en gebruik uitsluitend identieke vervangingsonderdelen.** Dit zorgt ervoor dat de veiligheid van het elektrisch gereedschap wordt gehandhaafd.
- **Voer nooit onderhoud uit aan beschadigde accupacks.** Onderhoud aan accupacks mag alleen worden uitgevoerd door de fabrikant of geautoriseerde dienstverleners.

Veiligheidswaarschuwingen voor diamantboor

- **Wanneer u boorwerkzaamheden uitvoert waarbij water moet worden gebruikt, moet u het water uit de werkomgeving van de gebruiker leiden of een vloeistofopvangsysteem gebruiken.** Dergelijke voorzorgsmaatregelen houden de werkomgeving van de gebruiker droog en beperken het risico op elektrische schokken.
- **Bedien het gereedschap via de geïsoleerde handgrepen tijdens het uitvoeren van werkzaamheden waarbij het snijtoebehoren in aanraking kan komen met verborgen bedrading of de eigen voedingskabel.** Als het snijtoebehoren een onder stroom staande draad aanraakt, kan dit ervoor zorgen dat niet-geïsoleerde delen van het

gereedschap ook onder stroom komen, waardoor de gebruiker een elektrische schok kan krijgen.

- **Draag gehoorbescherming bij diamantboren.** Blootstelling aan lawaai kan leiden tot gehoorverlies.
- **Oefen wanneer het bit is vastgelopen geen neerwaartse druk uit en schakel het gereedschap uit.** Onderzoek de oorzaak van het vastzittende bit en neem maatregelen om het probleem te verhelpen.
- **Bij het opnieuw starten van een diamantboor in het werkstuk moet worden gecontroleerd of het bit vrij kan draaien voordat u begint.** Als het bit is vastgelopen, kan het gereedschap mogelijk niet starten, overbelast raken of kan de diamantboor van het werkstuk loskomen.
- **Zorg er wanneer u de boorstandaard met ankers en overige bevestigingen aan het werkstuk vastzet voor dat de gebruikte verankering de machine tijdens gebruik kan vast- en tegenhouden.** Als het werkstuk zwak of poreus is, kan het anker naar buiten worden getrokken, waardoor de boorstandaard loskomt van het werkstuk.
- **Wanneer u door muren of plafonds boort, dient u ervoor te zorgen dat personen en het werkgebied aan de andere kant worden beschermd.** Het bit kan door het gat steken of de kern kan aan de andere kant naar buiten vallen.
- **Gebruik bij bovenhoofds boren altijd het vloeistofopvangsysteem dat in de instructies wordt vermeld. Zorg ervoor dat er geen water in het gereedschap terechtkomt.** Water dat in het elektrische gereedschap binnendringt, verhoogt het risico op elektrische schokken.

Veiligheidsvoorzieningen op het product

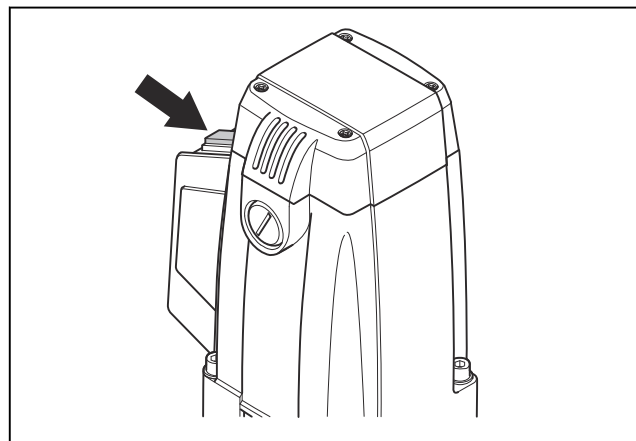


WAARSCHUWING: Lees de volgende waarschuwingen voordat u het product gaat gebruiken.

- Gebruik het product nooit wanneer de veiligheidsvoorzieningen defect zijn.
- Controleer de veiligheidsvoorzieningen regelmatig op een juiste werking. Als de veiligheidsvoorzieningen defect zijn, neem dan contact op met uw Husqvarna servicewerkplaats.
- Voer geen veranderingen uit aan veiligheidsvoorzieningen.

De AAN/UIT-schakelaar controleren

1. Controleer of de motor start wanneer u de AAN/UIT-schakelaar in de AAN-stand zet.



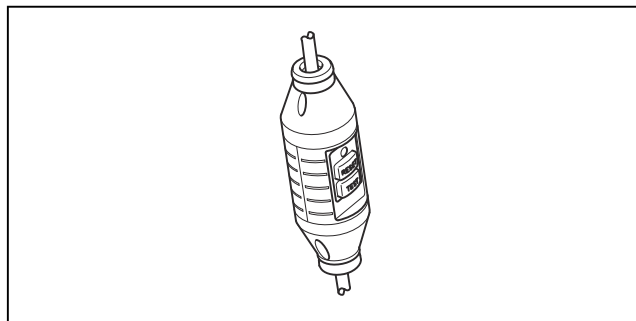
2. Controleer of de motor onmiddellijk stopt wanneer u de schakelaar in de UIT-stand zet.

Aardlekschakelaar

Let op: Niet voor het Verenigd Koninkrijk en Ierland, 110 V.

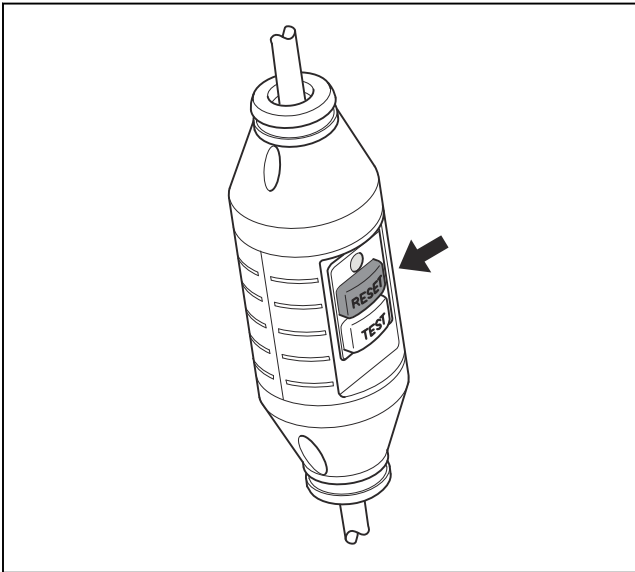
Aardlekbeveiligingen bieden bescherming in geval van een elektrische storing.

De led geeft aan dat de stroomkringonderbreker is ingeschakeld en dat het product kan worden gestart. Als de led niet brandt, druk dan op de RESET-knop.

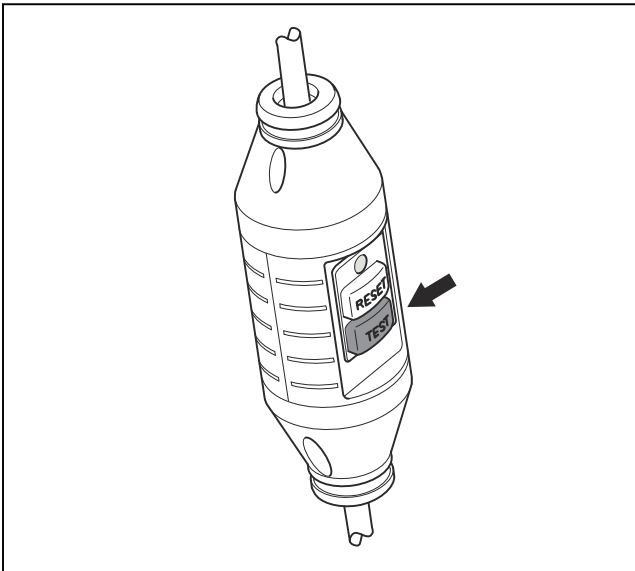


Aardlekschakelaar controleren

1. Sluit het product aan op het stopcontact. Druk op de RESET-knop; de rode led gaat branden.



2. Start het product.
3. Druk op de TEST-knop.



4. De aardlekschakelaar moet worden geactiveerd en het product moet onmiddellijk stoppen. Vraag uw dealer om ondersteuning als het product niet stopt.
5. Reset met de RESET-knop.

Veiligheidsinstructies voor diamantgereedschappen

- Wanneer u boorwerkzaamheden uitvoert waarbij water moet worden gebruikt, moet u het water uit de werkomgeving van de gebruiker leiden of een vloeistofopvangsysteem gebruiken. Dergelijke voorzorgsmaatregelen houden de werkomgeving van de gebruiker droog en beperken het risico op elektrische schokken.
- Bedien het gereedschap via de geïsoleerde handgrepen tijdens het uitvoeren van

werkzaamheden waarbij het snijtoebehoren in aanraking kan komen met verborgen bedrading of de eigen voedingskabel. Als het snijtoebehoren een onder stroom staande draad aanraakt, kan dit ervoor zorgen dat niet-geïsoleerde delen van het gereedschap ook onder stroom komen, waardoor de gebruiker een elektrische schok kan krijgen.

- Draag gehoorbescherming bij diamantboren. Blootstelling aan lawaai kan leiden tot gehoorverlies.
- Oefen wanneer het bit is vastgelopen geen neerwaartse druk uit en schakel het gereedschap uit. Onderzoek de oorzaak van het vastzittende bit en neem maatregelen om het probleem te verhelpen.
- Bij het opnieuw starten van een diamantboor in het werkstuk moet worden gecontroleerd of het bit vrij kan draaien voordat u begint. Als het bit is vastgelopen, kan het gereedschap mogelijk niet starten, overbelast raken of kan de diamantboor van het werkstuk loskomen.
- Zorg er wanneer u de boorstandaard met ankers en overige bevestigingen aan het werkstuk vastzet voor dat de gebruikte verankering de machine tijdens gebruik kan vast- en tegenhouden. Als het werkstuk zwak of poreus is, kan het anker naar buiten worden getrokken, waardoor de boorstandaard loskomt van het werkstuk.
- Wanneer u door muren of plafonds boort, dient u ervoor te zorgen dat personen en het werkgebied aan de andere kant worden beschermd. Het bit kan door het gat steken of de kern kan aan de andere kant naar buiten vallen.
- Gebruik dit gereedschap niet voor bovenhoofds boren met watertoevoer. Water dat in het elektrische gereedschap binnendringt, verhoogt het risico op elektrische schokken.
- Gebruik bij bovenhoofds boren altijd het vloeistofopvangsysteem dat in de instructies wordt vermeld. Zorg ervoor dat er geen water in het gereedschap terechtkomt. Water dat in het elektrische gereedschap binnendringt, verhoogt het risico op elektrische schokken.

Veiligheidsinstructies voor onderhoud



WAARSCHUWING: Controle en/of onderhoud dient te worden uitgevoerd met uitgeschakelde motor en de stekker uit het stopcontact.

- Zorg voor een deugdelijk onderhoud van elektrische gereedschappen en accessoires. Controleer het gereedschap op verkeerde uitlijning of bevestiging van bewegende onderdelen, breuk van onderdelen en andere condities die de werking van het elektrische gereedschap negatief kunnen beïnvloeden. Als het elektrische apparaat beschadigd is, moet u het laten repareren voordat u het gebruikt. Veel ongelukken worden veroorzaakt door slecht onderhouden elektrische apparaten.

- Houd snijgereedschappen scherp en schoon. Goed onderhouden snijgereedschappen met scherpe snijranden zullen minder gauw vastlopen en zijn eenvoudiger onder controle te houden.
- Laat uw elektrisch gereedschap repareren door een gekwalificeerde monteur en gebruik uitsluitend

identieke vervangingsonderdelen. Dit zorgt ervoor dat de veiligheid van het elektrisch gereedschap wordt gehandhaafd.

Montage

Inleiding



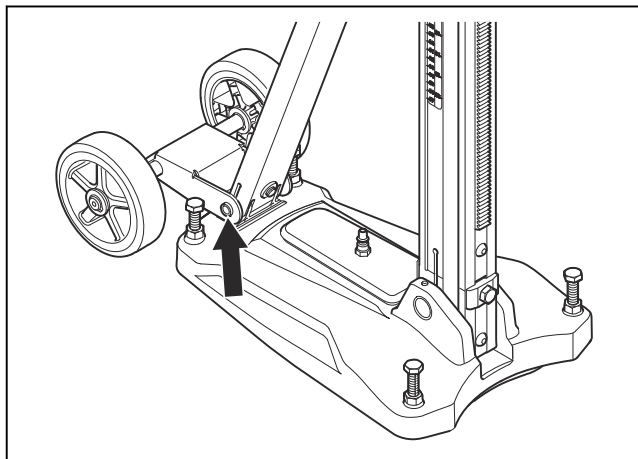
WAARSCHUWING: Zorg dat u het hoofdstuk over veiligheid hebt gelezen en begrepen voordat u het apparaat monteert.



WAARSCHUWING: Koppel alvorens te monteren de voedingskabel los en verwijder het boorbit om letsel te voorkomen.

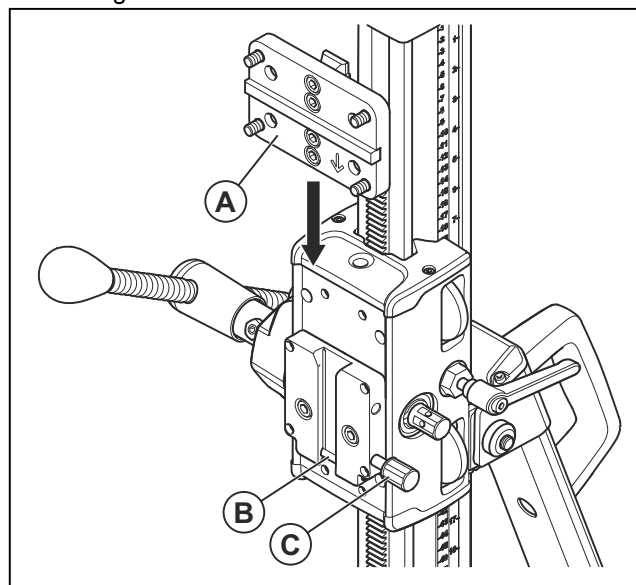
De wielset bevestigen

1. Bevestig de wielset aan de achterzijde van de bodemplaat.
2. Draai de schroeven vast.



De boormotor bevestigen

1. Vergrendel de boormotorslede.
2. Bevestig de boormotor aan de montageplaat (A).
3. Bevestig de montageplaat en de boormotor in de sleuf (B) van de boormotorslede.
4. Draai de schroef (C) om de boormotor op zijn plaats te vergrendelen.



Installatie

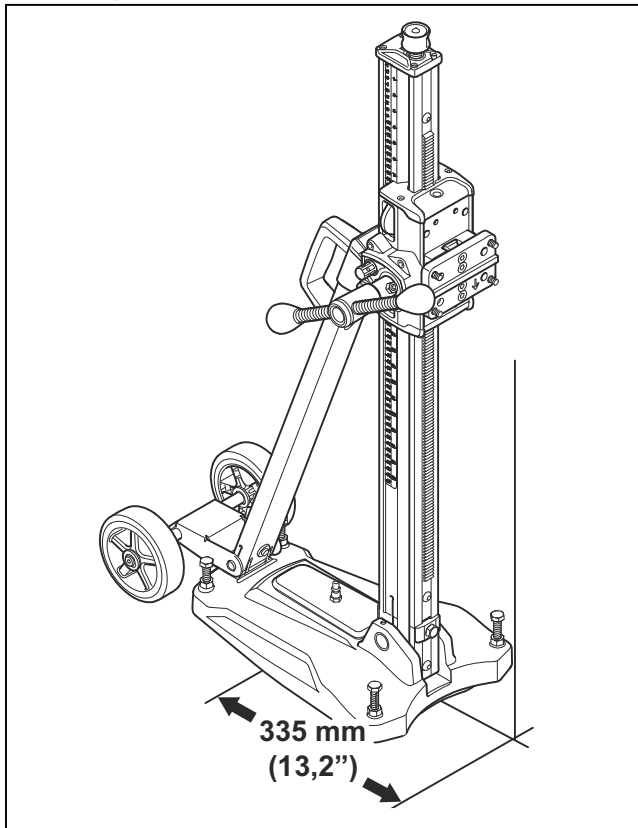
Montage van boorstandaard bij werkzaamheden

Er zijn 2 methoden die kunnen worden gebruikt om de boorstandaard te bevestigen tijdens boorwerkzaamheden:

- Met een expanderbout
- Met een stang met schroefdraad, een ring en een borgmoer

De boorstandaard bevestigen met een expanderbout

1. Maak een gat voor de expanderbout. Meet een afstand van 335 mm vanaf het midden van het gat dat u gaat boren.



2. Bevestig de bodemplaat met een expanderbout.
3. Draai de expanderbout volledig vast.
4. Verstel bodemplaat indien nodig. Gebruik de hoogtafstel Schroeven om de bodemplaat op het oppervlak af te stellen.

De boorstandaard bevestigen met een stang met schroefdraad

1. Controleer de oppervlaktekwaliteit van het dak of de muren om te zien of de oppervlaktekwaliteit voldoende is om gaten in te maken.
2. Als de oppervlaktekwaliteit voldoende is, bevestig u de bodemplaat met een draadstang.
3. Monteer de boorstandaard met een ring en borgmoer.

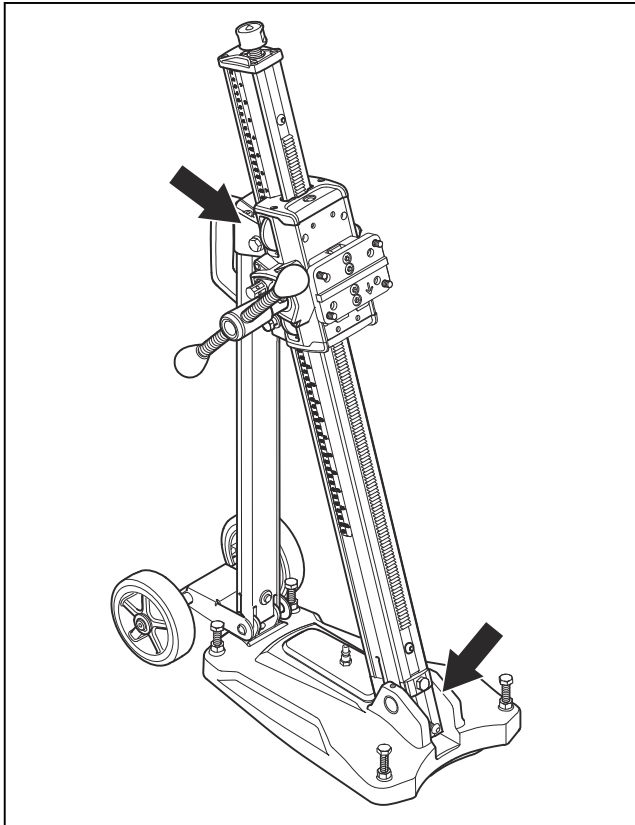
Werking

Voordat u het product gaat bedienen

1. Lees de gebruikershandleiding zorgvuldig door en zorg dat u de instructies hebt begrepen.
2. Zorg dat het werkgebied schoon en goed verlicht is om ongevallen te voorkomen.
3. Voer dagelijks een start- en stopcontrole uit. Zie *De AAN/UIT-schakelaar controleren op pagina 69*
4. Voer dagelijks onderhoud uit. Zie *Dagelijks onderhoud van de boormotor op pagina 74*.
5. Controleer of het product correct is gemonteerd. Het boorbit en de boorstandaard moeten correct worden bevestigd. Let erop dat u het product op de juiste manier op de boorstandaard bevestigt.
6. Maak altijd gebruik van persoonlijke beschermingsmiddelen. Zie *Persoonlijke beschermingsuitrusting op pagina 66*.
7. Controleer of het watersysteem niet beschadigd is en of het systeem op het product is aangesloten.
8. Controleer of de aardlekschakelaar is ingeschakeld. Zie *Aardlekschakelaar op pagina 69* en *Aardlekschakelaar controleren op pagina 70*

De hoek van de boorkolom aanpassen

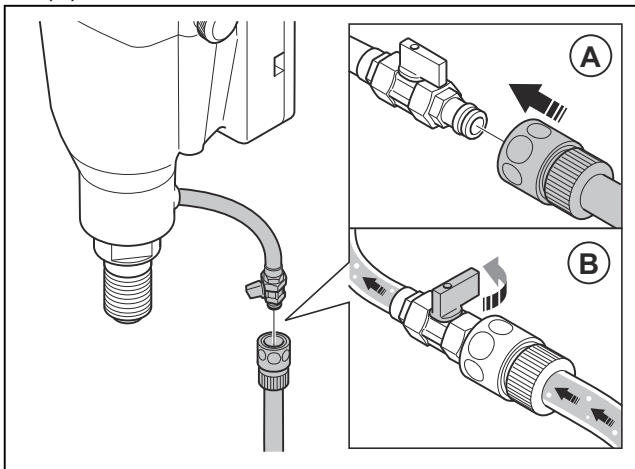
1. Draai de schroeven waarmee de boorkolom is vergrendeld los en stel de gewenste boorhoek in.



2. Gebruik de hoekindicator voor een globale afstelling. Gebruik een andere meetmethode als een hogere nauwkeurigheid noodzakelijk is.
3. Draai de borgschroeven van de boorkolom vast. Gebruik de toevoerhendel. De boorkolom kan 0-60° worden gekanteld.

De watertoevoer aansluiten

1. Sluit de wateraansluiting aan op de watertoevoer (A).



2. Open het watersysteem (B). Raadpleeg *Technische gegevens - boormotor op pagina 78* voor de maximale waterdruk.

Product starten



OPGELET: Gebruik niet meer kracht dan nodig is. Hierdoor wordt de werking alleen maar verlangzaamt en raakt de motor overbelast.



OPGELET: Oefen in de buurt van wapeningen slechts een zeer geringe druk uit. Bij een hoge druk tegen wapeningen wordt de aardlekschakelaar geactiveerd.

1. Start het watersysteem.
2. Druk de aan/uit-schakelaar volledig in.
3. Zorg ervoor dat de motor met het maximale toerental draait voordat het boorbit contact maakt met het werkstuk.
4. Druk de boorbit met de toevoerhendel tegen het werkstuk.
5. Oefen om te beginnen een zeer geringe druk uit om het boorbit in de juiste positie te houden. Ga vervolgens verder zoals gebruikelijk.
6. Mocht de aardlekschakelaar worden geactiveerd, verwijder dan het boorbit van het werkstuk alvorens de aardlekschakelaar te resetten.

Product stoppen



WAARSCHUWING: Het boorbit blijft nog even draaien nadat de motor is gestopt. Stop het boorbit niet met uw handen. Er kan letsel optreden.

1. Druk op de aan/uit-schakelaar om het product te stoppen.
2. Wacht tot het boorbit volledig tot stilstand is gekomen.

De temperatuur van de motor verlagen

- Laat het product 2 minuten onbelast draaien om de temperatuur van de motor te verlagen.

Onderhoud

Inleiding



WAARSCHUWING: Zorg dat u het hoofdstuk over veiligheid hebt gelezen en begrepen voordat u onderhoud aan het product gaat uitvoeren.



WAARSCHUWING: Koppel de voedingskabel los voordat u onderhoud uitvoert om letsel te voorkomen.

Dagelijks onderhoud van de boormotor

- Controleer of de moeren en schroeven goed zijn vastgedraaid.
- Controleer of de aan/uit-schakelaar goed werkt.
- Reinig de externe oppervlakken van de boormotor.
- Zorg ervoor dat de koelluchtopeningen schoon zijn.
- Controleer of de voedingskabel en de verlengkabel in goede staat verkeren en niet beschadigd zijn.

Dagelijks onderhoud van de boorstandaard

- Controleer of de moeren en schroeven goed zijn vastgedraaid.
- Reinig de externe oppervlakken van de boorstandaard.
- Zorg ervoor dat de toevoerhendel zonder weerstand beweegt.
- Zorg ervoor dat de tandwielen eenvoudig bewegen en geen geluid maken.
- Controleer de boorkolom op slijtage en beschadiging.
- Zorg ervoor dat de boormotorslede eenvoudig kan bewegen en dat er geen speling is tegen de boorkolom.

De boormotor reinigen



WAARSCHUWING: Reinig de boormotor nooit met water. Water kan tot kortsluiting of beschadiging van de boormotor leiden.

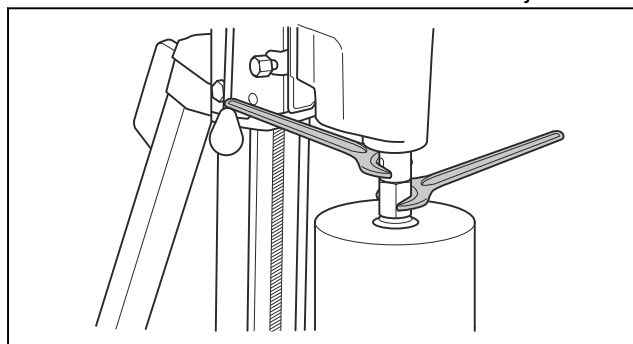
- Reinig het boorbit en de boormotor met perslucht.
- Zorg ervoor dat er zich geen vuil of verstoppingen in de koelluchtopeningen bevinden.

Het boorbit vervangen



WAARSCHUWING: Trek de stekker uit het stopcontact voordat u het boorbit vervangt.

1. Zorg ervoor dat u een nieuw boorbit, 2 sleutels en waterbestendig vet ter beschikking hebt.
2. Gebruik de sleutels om het boorbit te verwijderen.



3. Breng waterbestendig vet aan op de schroefdraad van het nieuwe boorbit.
4. Gebruik de sleutels om het boorbit te bevestigen.

Koppeling

Als het overgebrachte koppel wordt verlaagd, moet de koppeling worden afgesteld. Laat een goedgekeurd servicecentrum de koppeling afstellen.

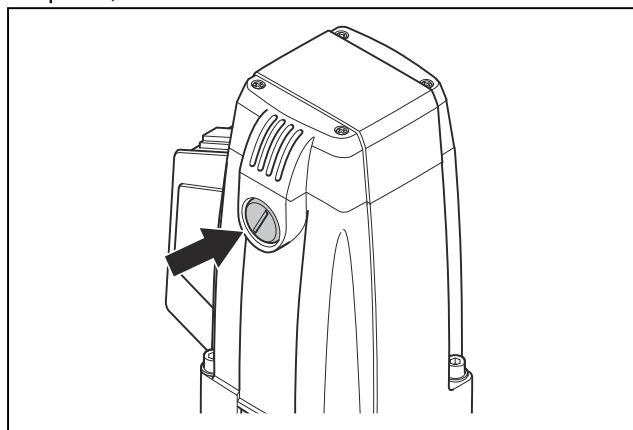
Koolborstels vervangen

Verwijder en controleer wekelijks de koolborstels als de boormotor dagelijks wordt gebruikt. Als de boormotor niet vaak wordt gebruikt, gelden langere intervallen. Het slijtagegebied moet bij de twee koolborstels gelijk zijn en de koolborstels mogen niet beschadigd zijn.



OPGELET: U moet de 2 koolborstels tegelijkertijd vervangen.

1. Verwijder het deksel van de koolborstels met een platte, brede schroevendraaier.



2. Verwijder voorzichtig de koolborstels. Vervang de koolborstels als er minder dan 6 mm van de borstels over is.
3. Plaats nieuwe koolborstels.

4. Breng het deksel voor de koolborstels aan.
5. Laat de boormotor 10 minuten stationair draaien om de nieuwe koolborstels te laten inlopen.

De boorstandaard reinigen en smeren



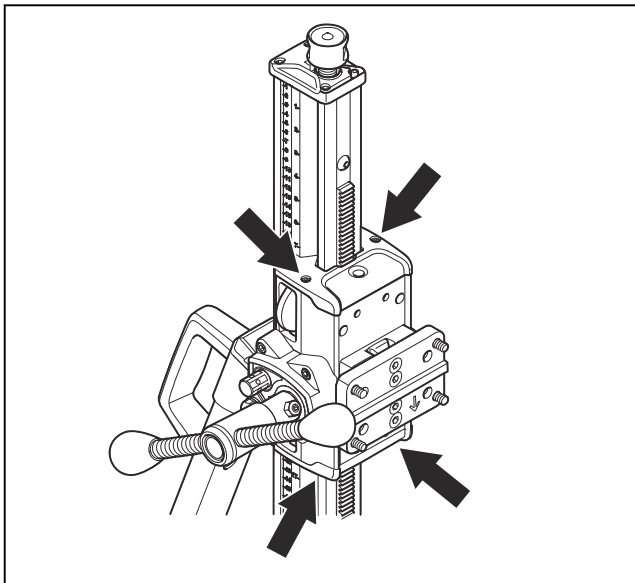
OPGELET: Als u de boorstandaard niet reinigt, kan deze beschadigd raken.

1. Verwijder de boormotor.
2. Maak de boorstandaard schoon met een hogedrukreiniger en verwijder vervolgens het achtergebleven water met een droge doek.
3. Smeer de bewegende delen op de boorstandaard. Breng vet aan op de contactvlakken om corrosie te voorkomen.

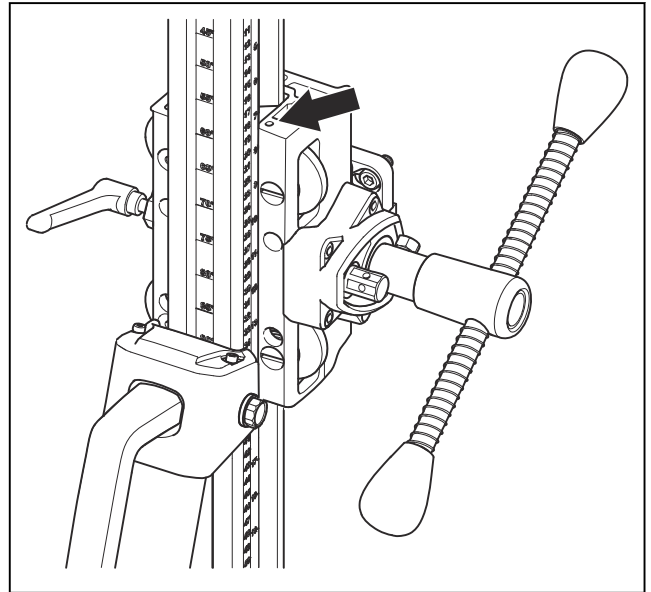
De boormotorslede afstellen

Als er speling is tussen de boorkolom en de boormotorslede, moet de boormotorslede worden afgesteld.

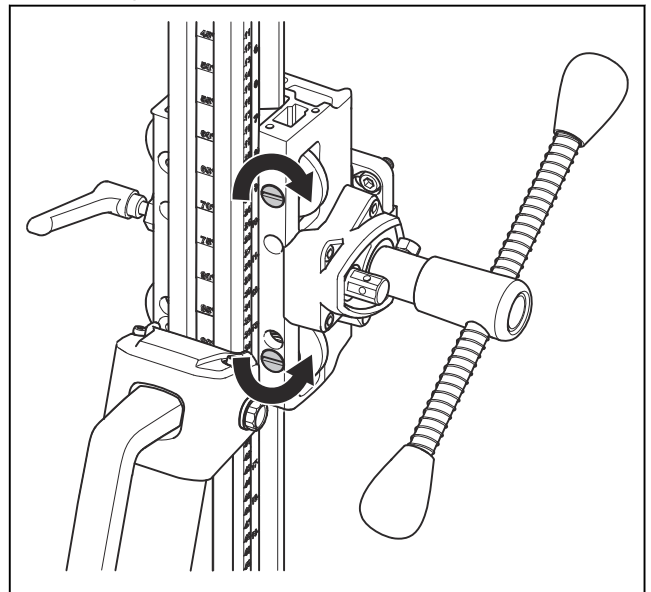
1. Verwijder de kunststof deksels van de boven- en onderkant van de boormotorslede.



2. Maak de afstelschroeven los die de assen van de rollen vasthouden.

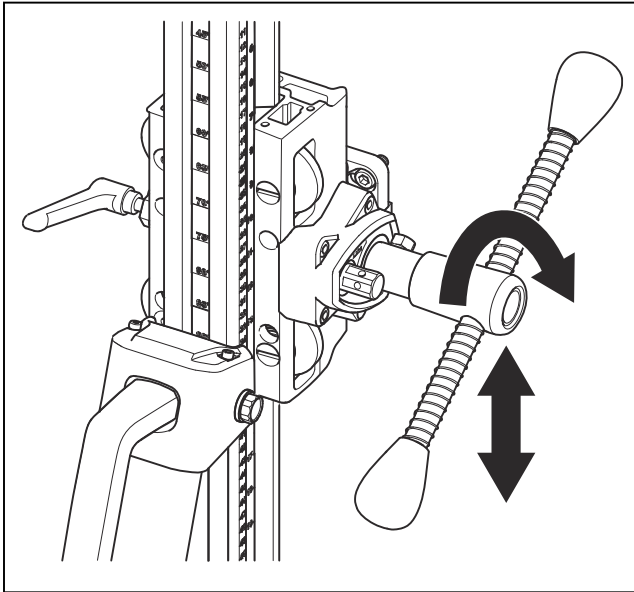


3. Begin met de as van de bovenste rol. Gebruik een platte schroevendraaier en draai deze rechtsonder om de as van de rol dicht bij de kolom te zetten.
4. Draai de afstelschroef vast om de as van de rol te vergrendelen.
5. Stel de as van de onderste rol af en draai de schroef linksom om de as van de rol dicht bij de boorkolom te brengen.



6. Draai de afstelschroef vast om de as van de rol te vergrendelen.

7. Gebruik de toevoerhendel om te controleren of de boormotorslede soepel langs de boorkolom beweegt. Als dit niet het geval is, moeten de assen van de rollen opnieuw worden afgesteld.



8. Breng de kunststof deksels aan de boven- en onderkant van de boormotorslede aan.

Probleemoplossing

Probleemoplossingsschema

Als u in deze bedieningshandleiding geen oplossing voor uw probleem kunt vinden, neem dan contact op met uw Husqvarna-servicewerkplaats.

Probleem	Stappen die u onmiddellijk moet uitvoeren	Mogelijke oorzaak	Oplossing
De werking is ongewoon langzaam.	Controleer het boorbit.	Het boorbit is versleten.	Vervang het boorbit.
		Het boorbit is verstopt door deeltjes.	Reinig het boorbit met een staalborstel en verhoog de waterdruk.
		Het diamantboorbit is afgerond.	Gebruik een boorbit met een zachter bindmiddel. Verhoog de kracht op de toevoerhendel.
	Controleer op metaalpoeder in het afvalwater.	De boormotor snijdt door een wapening.	Beweeg de toevoerhendel voorzichtig om te zorgen dat de aardlekschakelaar niet wordt geactiveerd.

Probleem	Stappen die u onmiddellijk moet uitvoeren	Mogelijke oorzaak	Oplossing
Het boorbit is geblokkeerd.	Stop de boormotor.	Steen of betonijzer zit klem tussen de boorkern en het boorbit.	Draai het boorbit met een sleutel rechtsonder om het los te maken terwijl u de toevoerhendel naar buiten trekt. Als u het boorbit linksom draait, kan het boorbit uit de buis losraken.
		De bodemplaat beweegt tijdens de werkzaamheden.	Plaats de bodemplaat terug en zet deze stevig vast.
		De klem heeft te veel speling.	Stel de speling van de klem goed af.
		De buitendiameter van het bit is gelijk aan die van de buis.	Vervang het boorbit.
De buis is ingeslepen.		De klem heeft te veel speling.	Stel de speling van de klem goed af.
		Boorbit, buis of bodemplaat zitten los.	Zet deze veilig vast.
		Beschadigd boorbit.	Vervang het boorbit.
		Deeltjes komen niet goed vrij.	Verhoog de waterdruk en het volume.

Transport en opslag

Transport en opslag

- Bewaar het product in een afgesloten ruimte om toegang door kinderen of onbevoegde personen te verhinderen.
- Bewaar het product in een droge en vorstvrije ruimte.
- Verwijder het boorbit voordat u het product vervoert of opslaat. Hiermee voorkomt u schade aan het product en de boorbits.
- Zet het product tijdens het vervoer veilig vast om schade en ongevallen te voorkomen.

Technische gegevens

Technische gegevens - boormotor

	DMS 240
Motor	
Elektromotor	Eenfasig
Nominale spanning, V	230/100-120
Rendement, W	2400
Nominale stroom, A	
230 V	10
100-120 V	20
Gewicht	
Kg/lbs	5,9/13
Toerental spil, stationair, tpm	
Positie 1	390
Positie 2	890
Boorbit	
Max. boordiameter, mm/inch	250/10
Schroefdraad spil, binnen	G 1/2" buiten 5/8" 11 UNC
Schroefdraad spil, buiten	1 1/4" 7 UNC
Maximale waterdruk, bar	8
Wateraansluiting	G 1/4"
Geluidsemissies	
Geluidsvermogeniveau, gemeten dB(A)	106
Geluidsvermogeniveau, gegarandeerd L _{WA} dB (A)	107
Geluidsniveau	
Geluidsdrukniveau bij het oor van de gebruiker, dB(A)	90
Trillingsniveau	
Handgreep, m/s ²	<2

Technische gegevens - boorstandaard

Hoogte, mm/inch	1052/41,4
Breedte, mm/inch	266/10,5

Diepte, mm/inch	545/21,5
Gewicht, kg/lbs	14,5/32
Verplaatsingsafstand, mm/inch	686/27
Hoek boorkolom	0-60°

Service

Goedgekeurd servicecentrum

Ga naar de website om het dichtstbijzijnde erkende servicecentrum van Husqvarna te vinden.

Verklaring van overeenstemming

EU-verklaring van overeenstemming

Wij, **Husqvarna AB**, SE-561 82 Huskvarna,
Zweden, tel: +46-36-146500, verklaren onder onze
alleenverantwoordelijkheid dat het product:

Beschrijving	Boormachine
Merk	Husqvarna
Type/model	DMS 240
Identificatie	Serienummers vanaf 2022 en verder

volledig voldoet aan de volgende EU-richtlijnen en
-regelgeving:

Richtlijn/Verordening	Beschrijving
2006/42/EC	"betreffende machines"
2014/30/EU	"betreffende elektromagnetische compatibiliteit"
2011/65/EU	"betreffende beperking van gevaarlijke stoffen"

en dat de volgende geharmoniseerde normen en/of
technische specificaties zijn toegepast;

EN ISO 12100:2010

EN 62841-3-6:2014

EN 55014-1:2006+A1:2009+A2:2011

EN 55014-2:1997+A1:2001+A2:2008

EN 61000-3-2:2014

EN 61000-3-3:2013

EN IEC 63000:2018

Partille, 2022-12-02



Fredrik Sandinge

Global R&D Director

Betonnen oppervlakken en vloeren

Husqvarna AB, Construction-divisie



FR

Cet appareil,
ses cordons,
et batterie
se recyclent

À DÉPOSER
EN MAGASIN



OU

À DÉPOSER
EN DÉCHÈTERIE



Points de collecte sur www.quefairedemesdechets.fr
Privilégiez la réparation ou le don de votre appareil !

Husqvarna®

www.husqvarnaconstruction.com

Original instructions
Originalanweisungen
Instructions d'origine
Originele instructies

1141539-20

Rev. B



2023-01-30